

PLEASE CHECK WWW.MOLEX.COM FOR LATEST PART INFORMATION

Part Number: [0474688001](#)
Status: **Active**
Overview: sim smart card
Description: 2.54mm (.100") MEGA SIM Card Connector, 8 Circuits, Surface Mount, with Guide Rail, Housing Height 2.00mm (.079"), Lead Free

Documents:

[3D Model](#) [Product Specification PS-47468-001 \(PDF\)](#)
[Drawing \(PDF\)](#) [RoHS Certificate of Compliance \(PDF\)](#)

General

Product Family	Memory Card Sockets
Series	47468
Button Type	N/A
Component Type	Card Holder (Host)
Overview	sim smart card
Product Name	SIM
Type	N/A

Physical

Card Detection Switch	No
Circuits (Loaded)	8
Circuits (maximum)	8
Color - Resin	Black
Durability (mating cycles max)	500
Ejector Button Side	No Ejector Button Present
Entry Angle	Horizontal
Keying to Mating Part	Yes
Material - Metal	Beryllium Copper, Stainless Steel
Material - Plating Mating	Gold
Material - Plating Termination	Gold
Material - Resin	High Temperature Thermoplastic
PCB Locator	No
PCB Mounting Side	Normal
PCB Retention	Yes
Packaging Type	Embossed Tape on Reel
Pitch - Mating Interface (in)	0.100 In
Pitch - Mating Interface (mm)	2.54 mm
Pitch - Term. Interface (in)	0.100 In
Pitch - Term. Interface (mm)	2.54 mm
Plating min: Mating (µin)	30
Plating min: Mating (µm)	0.75
Plating min: Termination (µin)	2
Plating min: Termination (µm)	0.05
Ports	1
Temperature Range - Operating	-20°C to +70°C
Termination Interface: Style	Surface Mount

Electrical

Current - Maximum per Contact	0.5A
Voltage - Maximum	50V AC (RMS)/DC

Material Info

Reference - Drawing Numbers

Packaging Specification	PK-47468-001
Product Specification	PS-47468-001

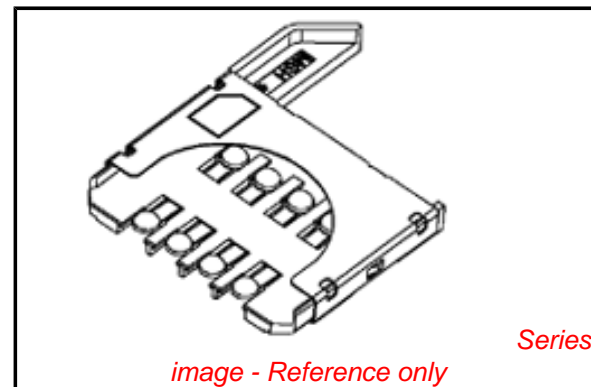


image - Reference only

EU RoHS

**ELV and RoHS
Compliant**
REACH SVHC
 Not Reviewed
**Halogen-Free
Status**
 Not Reviewed

China RoHS



**Need more information on product
environmental compliance?**

Email productcompliance@molex.com
 For a multiple part number RoHS Certificate of Compliance, [click here](#)

Please visit the [Contact Us](#) section for any non-product compliance questions.

Search Parts in this Series

[47468Series](#)

Mates With

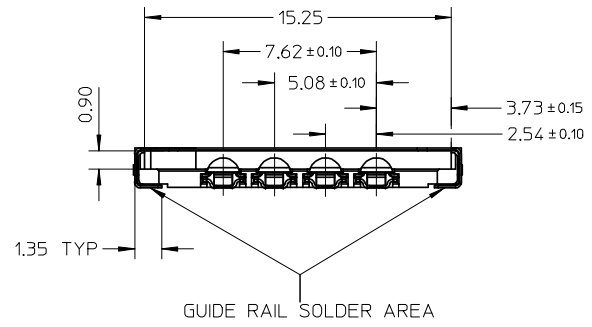
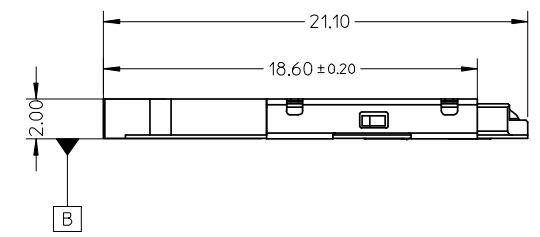
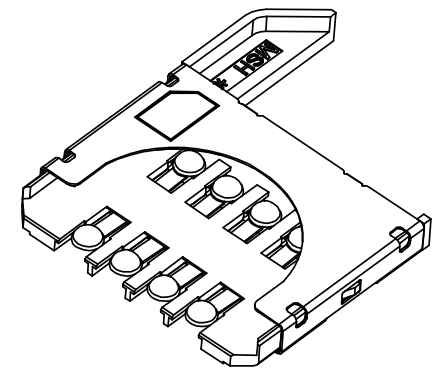
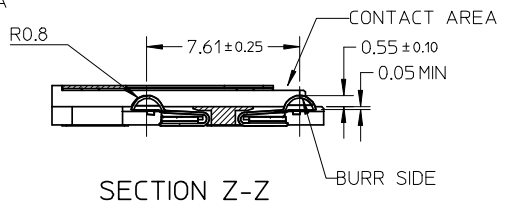
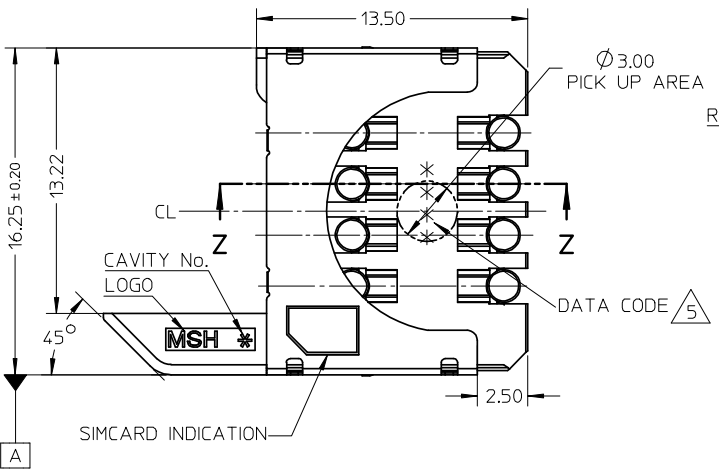
Standard SIM Card

Use With

Standard SIM Cards

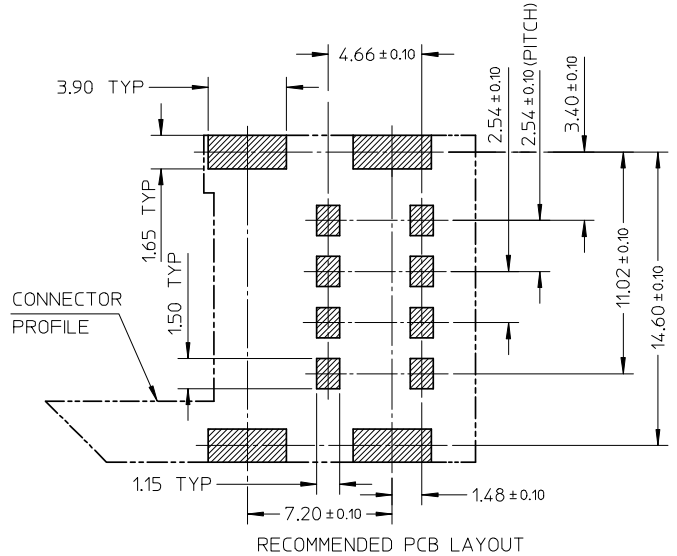
This document was generated on 05/19/2010

PLEASE CHECK WWW.MOLEX.COM FOR LATEST PART INFORMATION



NOTE:

- MATERIAL:
HOUSING:LCP,45% GLASS-FILLED,UL 94V-0,COLOR IS BLACK.
TERMINAL:BeCu C17200(290) TM06,THICKNESS IS 0.12mm.
SHELL:STAINLESS STEEL,THICKNESS IS 0.15mm.
- FINISH:
TERMINAL:
CONTACT AREA:SELECTIVE 0.75 TO 1.25 MICRON GOLD .
SOLDER TAIL:0.05 TO 0.125 MICRON GOLD FLASH.
UNDERPLATING ALL OVER 1.25 TO 3.75 MICRON NICKEL.
- GUIDE RAIL:
SELECTIVE 0.05 TO 0.125 MICRON GOLD FLASH OVER
1.25 TO 3.75 MICRON NICKEL ON SOLDER TAIL AREA.
- COPLANARITY:0.1MM MAX. AMONG THESE SOLDER TAILS.
- PRODUCT SPECIFICATION:PS-47468-001.
- DATE CODE(4 DIGITS)
EXAMPLE
2006/01/15 → 6015
2006/02/10 → 6041
2007/03/10 → 7069
DAY COUNTED FROM FIRST DAY OF THE YEAR
YEAR
- THE PART 474688001 COMPLIANT TO RoHS DIRECTIVE 2002/95/EC AND ELV 2000/53/EC.



NEW RELEASE EC NO: SH2008-0466 DRWN:HPQIAN 2008/03/24 CHKD:RZHANG 2008/03/24 APPR:HWANG 2008/06/12	QUALITY SYMBOLS ▽=0 ∇=0	GENERAL TOLERANCES (UNLESS SPECIFIED)		DIMENSION STYLE MM ONLY		SCALE 4:1	DESIGN UNITS METRIC	THIRD ANGLE PROJECTION		
			mm	INCH	DRAWN BY HPQIAN	DATE 2008/03/04	TITLE 8 PIN MEGA SIM WITH GUIDE RAIL			
		4 PLACES	± ---	± ---	CHECKED BY RZHANG	DATE 2008/03/04	MOLEX INCORPORATED			
		3 PLACES	± ---	± ---	APPROVED BY HARVEY	DATE 2008/03/04				
2 PLACES	± 0.13	± ---	ANGULAR ± 2 °		MATERIAL NO. 474688001	DOCUMENT NO. SD-47468-801	SHEET NO. 1 OF 1			
1 PLACE	± ---	± ---	DRAFT WHERE APPLICABLE MUST REMAIN WITHIN DIMENSIONS		SIZE A3	THIS DRAWING CONTAINS INFORMATION THAT IS PROPRIETARY TO MOLEX INCORPORATED AND SHOULD NOT BE USED WITHOUT WRITTEN PERMISSION				