

PLEASE CHECK WWW.MOLEX.COM FOR LATEST PART INFORMATION

Part Number: [0399400212](#)
Status: **Active**
Description: 5.08mm (.200") Pitch Beau™ EuroMate™ Pluggable PCB Terminal Block, Dual Level, 90° Wire Entry, 12 Circuits

Documents:

[Drawing \(PDF\)](#) [RoHS Certificate of Compliance \(PDF\)](#)
[Product Specification PS-39940-001 \(PDF\)](#)

Agency Certification

UL E48521

General

Product Family	Terminal Blocks
Series	39940
Application	Wire-to-Board
Comments	Gold plating available
Component Type	Plug
Product Literature Order No	USA-264
Product Name	EuroMate™ Pluggable
Type	Euro Block

Physical

Circuits (Loaded)	12
Color - Resin	Black
Entry Angle	Horizontal
Flammability	94V-0
Lock to Mating Part	None
Material - Resin	Nylon
Number of Rows	2
Orientation	Vertical
Panel Mount	No
Pitch - Mating Interface (in)	0.200 In
Pitch - Mating Interface (mm)	5.08 mm
Polarized to Mating Part	Yes
Stackable	No
Temperature Range - Operating	130°C
Termination Interface: Style	Screw or Lug
Wire Size AWG	12, 14, 16, 18, 20, 22
Wire Size mm²	0.50 - 2.50

Electrical

Current - Maximum per Contact	15A
Voltage - Maximum	300V

Material Info

Old Part Number 940812

Reference - Drawing Numbers

Product Specification	PS-39940-001
Sales Drawing	SD-39940-004



EU RoHS

ELV and RoHS Compliant
REACH SVHC
 Not Reviewed
Halogen-Free Status
 Not Reviewed

China RoHS



Need more information on product environmental compliance?

Email productcompliance@molex.com
 For a multiple part number RoHS Certificate of Compliance, [click here](#)

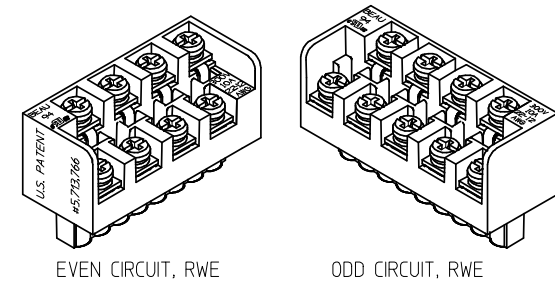
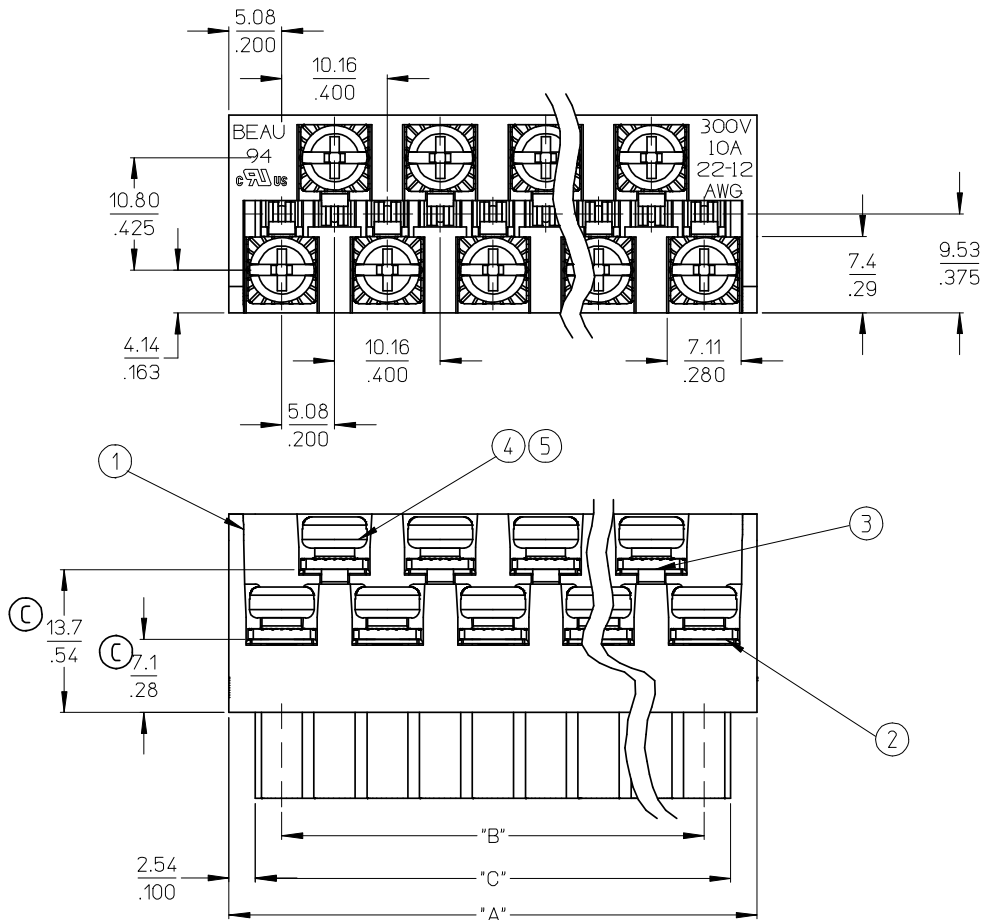
Please visit the [Contact Us](#) section for any non-product compliance questions.

Search Parts in this Series

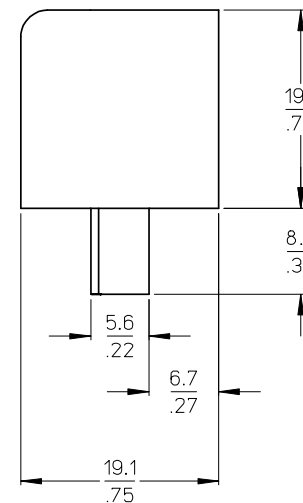
[39940Series](#)

Mates With

[39531-0012](#) , [39531-1012](#) , [39532-0012](#) , [39532-1012](#)



AUXILIARY VIEWS
SCALE 1:1



NOTES:

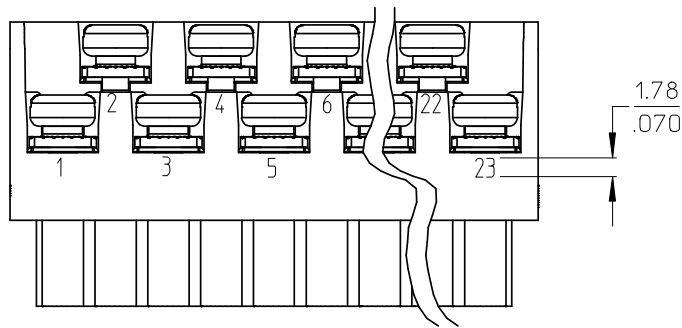
1. MATERIAL: SEE TABLE
2. FINISHES: SEE TABLE
3. PRODUCT SPECIFICATION: NOT REQUIRED
4. PACKAGING: NOT REQUIRED
5. MATES WITH: MOST 5.08 (.200) PIN HEADERS
6. "XX" REFERS TO THE QUANTITY OF CIRCUITS
7. ROHS COMPLIANT

ODD CIRCUIT CONFIGURATION SHOWN

ITEM	QTY. (EVEN NO. OF CIRCUITS)	QTY. (ODD NO. OF CIRCUITS)	DESCRIPTION	MATERIAL	FINISH
5	XX	XX	SCREW, M3.5 X .280	STEEL	ZINC CHROMATE
4	XX	XX	NUT, M3.5, HEX	STEEL	ZINC CHROMATE
3	XX/2	(XX-1)/2	REAR ROW TERM. (LONG)	PHOS. BRONZE	HOT TIN DIP
2	XX/2	(XX+1)/2	FRONT ROW TERM. (SHORT)	PHOS. BRONZE	HOT TIN DIP
1	1	1	BARRIER	THERMOPLASTIC	BLACK

REVISED & REDRAWN EC NO: WNA2008-0391 DRWN: JENC INAS 2008/07/01 CHK'D: CYORK 2008/07/02 APPR: JMACNEIL 2008/07/07 REV DESCRIPTION	QUALITY SYMBOLS	GENERAL TOLERANCES (UNLESS SPECIFIED)	DIMENSION STYLE	SCALE	DESIGN UNITS	THIRD ANGLE PROJECTION															
	$\nabla=0$ $\nabla=0$	<table border="1"> <thead> <tr> <th></th> <th>mm</th> <th>INCH</th> </tr> </thead> <tbody> <tr> <td>4 PLACES</td> <td>±---</td> <td>±---</td> </tr> <tr> <td>3 PLACES</td> <td>±---</td> <td>±.005</td> </tr> <tr> <td>2 PLACES</td> <td>±0.13</td> <td>±.01</td> </tr> <tr> <td>1 PLACE</td> <td>±0.3</td> <td>±---</td> </tr> </tbody> </table>		mm	INCH	4 PLACES	±---	±---	3 PLACES	±---	±.005	2 PLACES	±0.13	±.01	1 PLACE	±0.3	±---	MM/IN	2:1	INCH	
		mm	INCH																		
	4 PLACES	±---	±---																		
3 PLACES	±---	±.005																			
2 PLACES	±0.13	±.01																			
1 PLACE	±0.3	±---																			
DRAFT WHERE APPLICABLE MUST REMAIN WITHIN DIMENSIONS	DRAWN BY: J. FARMER CHECKED BY: R. KEMP APPROVED BY: GHR DATE: 2004/12/06	TITLE: 5.08/.200 PLUG ASSY, RWE WITH CLOSED ENDS (9408XX) MOLEX INCORPORATED DOCUMENT NO.: SD-39940-004																			
			MATERIAL NO.: SEE SHEET 2 SHEET NO.: 1 OF 2	THIS DRAWING CONTAINS INFORMATION THAT IS PROPRIETARY TO MOLEX INCORPORATED AND SHOULD NOT BE USED WITHOUT WRITTEN PERMISSION																	

NO. OF CIRC. "XX"	"A" DIM.		"B" DIM.		"C" ^{+0.00} _{-0.25} [^{+0.00} _{-0.10}]		MATERIAL NO. (STANDARD)
03	20.3	[.80]	10.16	[.400]	15.2	[.60]	399400203
04	25.4	[1.00]	15.24	[.600]	20.3	[.80]	399400204
05	30.5	[1.20]	20.32	[.800]	25.4	[1.00]	399400205
06	35.6	[1.40]	25.40	[1.000]	30.5	[1.20]	399400206
07	40.6	[1.60]	30.48	[1.200]	35.6	[1.40]	399400207
08	45.7	[1.80]	35.56	[1.400]	40.6	[1.60]	399400208
09	50.8	[2.00]	40.64	[1.600]	45.7	[1.80]	399400209
10	55.9	[2.20]	45.72	[1.800]	50.8	[2.00]	399400210
11	61.0	[2.40]	50.80	[2.000]	55.9	[2.20]	399400211
12	66.0	[2.60]	55.88	[2.200]	61.0	[2.40]	399400212
13	71.1	[2.80]	60.96	[2.400]	66.0	[2.60]	399400213
14	76.2	[3.00]	66.04	[2.600]	71.1	[2.80]	399400214
15	81.3	[3.20]	71.12	[2.800]	76.2	[3.00]	399400215
16	86.4	[3.40]	76.20	[3.000]	81.3	[3.20]	399400216
17	91.4	[3.60]	81.28	[3.200]	86.4	[3.40]	399400217
18	96.5	[3.80]	86.36	[3.400]	91.4	[3.60]	399400218
19	101.6	[4.00]	91.44	[3.600]	96.5	[3.80]	399400219
20	106.7	[4.20]	96.52	[3.800]	101.6	[4.00]	399400220
21	111.8	[4.40]	101.60	[4.000]	106.7	[4.20]	399400221
22	116.9	[4.60]	106.68	[4.200]	111.8	[4.40]	399400222
23	121.9	[4.80]	111.76	[4.400]	116.8	[4.60]	399400223
24	127.0	[5.00]	116.84	[4.600]	121.9	[4.80]	399400224



OPTIONAL
10A IMPRINTING
(ODD CIRCUIT CONFIGURATION SHOWN)

SEE SHEET ONE EEC NO: WNA2008-0391 DRWN: JENCINAS 2008/07/01 CHKD: CYORK 2008/07/02 APPR: JMACNEIL 2008/07/07	QUALITY SYMBOLS ▼=0 ▽=0	GENERAL TOLERANCES (UNLESS SPECIFIED) mm INCH 4 PLACES ± --- ± --- 3 PLACES ± --- ± .005 2 PLACES ± 0.13 ± .01 1 PLACE ± 0.3 ± --- ANGULAR ± 2 °	DIMENSION STYLE MM/IN	SCALE 2:1	DESIGN UNITS INCH	THIRD ANGLE PROJECTION
	DRAWN BY J. FARMER	DATE 2004/12/06	TITLE 5.08/.200 PLUG ASSY, RWE WITH CLOSED ENDS (9408XX)			
	CHECKED BY R. KEMP	DATE 2004/12/06	MOLEX INCORPORATED			
	APPROVED BY GHR	DATE 2004/12/06	MATERIAL NO. SEE CHART	DOCUMENT NO. SD-39940-004	SHEET NO. 2 OF 2	
DRAFT WHERE APPLICABLE MUST REMAIN WITHIN DIMENSIONS		THIS DRAWING CONTAINS INFORMATION THAT IS PROPRIETARY TO MOLEX INCORPORATED AND SHOULD NOT BE USED WITHOUT WRITTEN PERMISSION				