

PLEASE CHECK WWW.MOLEX.COM FOR LATEST PART INFORMATION

Part Number: [0395272005](#)
Status: **Active**
Description: 5.00mm (.197") Pitch Eurostyle™ Vertical Plug, with Retention Screws, Rear Wire Entry, 5 Circuits

Documents:

[3D Model](#) [Product Specification PS-39500-001 \(PDF\)](#)
[Drawing \(PDF\)](#) [RoHS Certificate of Compliance \(PDF\)](#)

General

Product Family	Terminal Blocks
Series	39527
Application	Wire-to-Board
Comments	Rear Wire Entry
Component Type	Plug
Product Literature Order No	USA-355
Product Name	ESE, Eurostyle™ Pluggable
Type	Euro Block

Physical

Circuits (Loaded)	5
Entry Angle	Horizontal
Lock to Mating Part	Yes
Number of Rows	1
Orientation	Vertical
Panel Mount	No
Pitch - Mating Interface (in)	0.197 In
Pitch - Mating Interface (mm)	5.00 mm
Polarized to Mating Part	Yes
Stackable	No
Temperature Range - Operating	-40°C to +105°C
Wire Size AWG	12, 14, 16, 18, 20, 22, 24, 26
Wire Size mm²	0.13 - 3.31

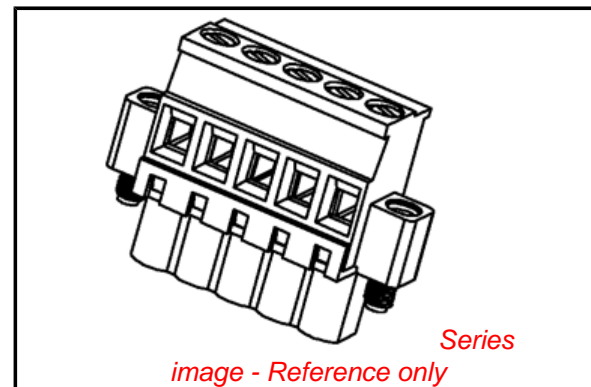
Electrical

Current - Maximum per Contact	10A
Voltage - Maximum	300V

Material Info

Reference - Drawing Numbers

Product Specification	PS-39500-001
Sales Drawing	SD-39527-002



EU RoHS

**ELV and RoHS
Compliant**
REACH SVHC
 Not Reviewed
**Halogen-Free
Status**

China RoHS



**Need more information on product
environmental compliance?**

Email productcompliance@molex.com
 For a multiple part number RoHS Certificate of Compliance, [click here](#)

Please visit the [Contact Us](#) section for any non-product compliance questions.

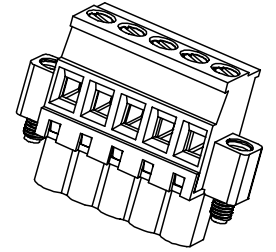
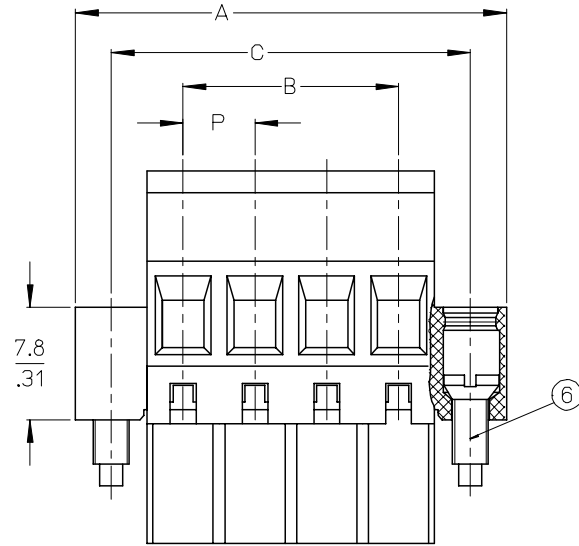
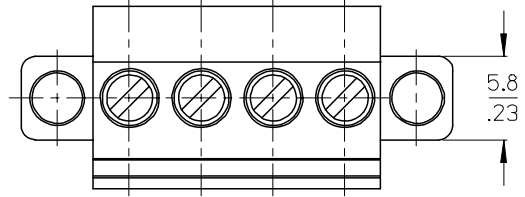
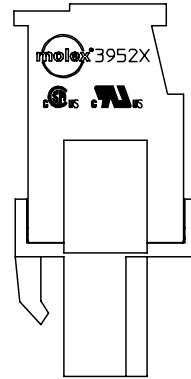
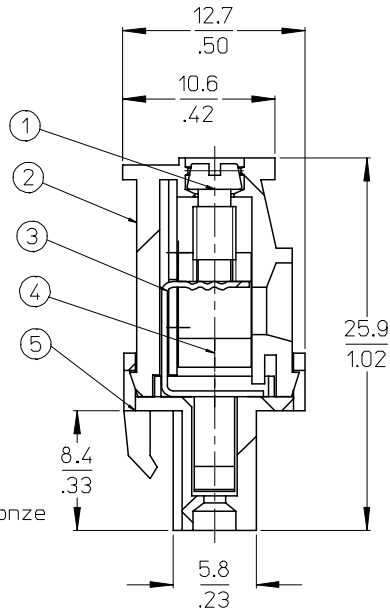
Search Parts in this Series

[39527Series](#)

Mates With

Most 5.00mm (.197") Pitch Industry Standard PCB Headers, [39525](#) Vertical PCB Header with Threaded Retention Inserts, [39526](#) Horizontal PCB Header with Threaded Retention Inserts

10 9 8 7 6 5 4 3 2 1



SPECIFICATIONS

1. Material:
 - (1). Screw: Steel
 - (2). Body: PA66
 - (3). Terminal: Phosphor Bronze
 - (4). Cage: Brass
 - (5). Cover: PA66
 - (6). Screw: Steel
2. Wire range: 12 - 26AWG
3. Electrical rating: 300V, 10A.
4. Wire strip length: 5.0mm.
5. Operating temperature: -40°C to +105°C.
6. Max torque: 3 in-lbs.
7. Insulation resistance: DC 500V, 500 Megohms.
8. Dielectric withstand: AC 2500V for 1 minute
9. Breakdown voltage: 4000V
10. Contact resistance: <10 milliohms
11. DIM. A = (N + 2)X P
12. DIM. B = (N - 1)X P
13. DIM. C = (N + 1)X P
14. DIM. P (PITCH) = 5.00mm (.197")
15. N = Number of positions available 2 through 24.
16. ALL COMPONENTS ARE ROHS COMPLIANT.

RELEASE TO PROD ETC NO: ETC2006-0308 DRWN: C YORK 2006/03/16 CHKD: R DEROSS 2006/03/16 APPR: R DEROSS 2006/03/16	QUALITY SYMBOLS ▽=0 ▽=0	GENERAL TOLERANCES (UNLESS SPECIFIED)		DIMENSION STYLE		SCALE	DESIGN UNITS	THIRD ANGLE PROJECTION	
			mm	INCH	MM/IN	3:1	INCH		
		4 PLACES	± ---	±.0015	DRAWN BY	DATE	TITLE		
		3 PLACES	±0.038	±.005	C. YORK	2006/03/16	5.0MM, EURO PLUG, VERTICAL, FRONT WIRE ENTRY WITH MOUNTING ENDS		
2 PLACES	±0.13	±.01	CHECKED BY	DATE	MOLEX INCORPORATED				
1 PLACE	±0.3	± ---	R. DEROSS	2006/03/16	DOCUMENT NO.				
ANGULAR ± 2 °		APPROVED BY		DATE	SHEET NO.				
DRAFT WHERE APPLICABLE MUST REMAIN WITHIN DIMENSIONS		R. DEROSS		2006/03/16	SEE SHT. 2		SD-39527-002	1 OF 2	
MATERIAL NO.		SIZE		THIS DRAWING CONTAINS INFORMATION THAT IS PROPRIETARY TO MOLEX INCORPORATED AND SHOULD NOT BE USED WITHOUT WRITTEN PERMISSION					
		B							

9 8 7 6 5 4 3 2 1

F

E

D

C

B

A

Description	Circuit size	Material Numbers											Dimensional Information						
		Black					Green						Dim A		Dim B		Dim C		
		100% Tin			30 u' Gold			100% Tin			30 u' Gold			mm	inch	mm	inch	mm	inch
		Printing Options		Printing Options			Printing Options			Printing Options									
		None	10AV	11AV	None	10AV	11AV	None	10AV	11AV	None	10AV	11AV						
5.0mm, Euro Plug, Vertical FWE, Mounting Ends	2	395272002	395272302	395272402	395272502	395272602	395272902	395277002	395277302	395277402	395277502	395277602	395277902	20.0	0.79	5.0	0.20	15.0	0.59
5.0mm, Euro Plug, Vertical FWE, Mounting Ends	3	395272003	395272303	395272403	395272503	395272603	395272903	395277003	395277303	395277403	395277503	395277603	395277903	25.0	0.98	10.0	0.39	20.0	0.79
5.0mm, Euro Plug, Vertical FWE, Mounting Ends	4	395272004	395272304	395272404	395272504	395272604	395272904	395277004	395277304	395277404	395277504	395277604	395277904	30.0	1.18	15.0	0.59	25.0	0.98
5.0mm, Euro Plug, Vertical FWE, Mounting Ends	5	395272005	395272305	395272405	395272505	395272605	395272905	395277005	395277305	395277405	395277505	395277605	395277905	35.0	1.38	20.0	0.79	30.0	1.18
5.0mm, Euro Plug, Vertical FWE, Mounting Ends	6	395272006	395272306	395272406	395272506	395272606	395272906	395277006	395277306	395277406	395277506	395277606	395277906	40.0	1.58	25.0	0.98	35.0	1.38
5.0mm, Euro Plug, Vertical FWE, Mounting Ends	7	395272007	395272307	395272407	395272507	395272607	395272907	395277007	395277307	395277407	395277507	395277607	395277907	45.0	1.77	30.0	1.18	40.0	1.58
5.0mm, Euro Plug, Vertical FWE, Mounting Ends	8	395272008	395272308	395272408	395272508	395272608	395272908	395277008	395277308	395277408	395277508	395277608	395277908	50.0	1.97	35.0	1.38	45.0	1.77
5.0mm, Euro Plug, Vertical FWE, Mounting Ends	9	395272009	395272309	395272409	395272509	395272609	395272909	395277009	395277309	395277409	395277509	395277609	395277909	55.0	2.17	40.0	1.58	50.0	1.97
5.0mm, Euro Plug, Vertical FWE, Mounting Ends	10	395272010	395272310	395272410	395272510	395272610	395272910	395277010	395277310	395277410	395277510	395277610	395277910	60.0	2.36	45.0	1.77	55.0	2.17
5.0mm, Euro Plug, Vertical FWE, Mounting Ends	11	395272011	395272311	395272411	395272511	395272611	395272911	395277011	395277311	395277411	395277511	395277611	395277911	65.0	2.56	50.0	1.97	60.0	2.36
5.0mm, Euro Plug, Vertical FWE, Mounting Ends	12	395272012	395272312	395272412	395272512	395272612	395272912	395277012	395277312	395277412	395277512	395277612	395277912	70.0	2.76	55.0	2.17	65.0	2.56
5.0mm, Euro Plug, Vertical FWE, Mounting Ends	13	395272013	395272313	395272413	395272513	395272613	395272913	395277013	395277313	395277413	395277513	395277613	395277913	75.0	2.95	60.0	2.36	70.0	2.76
5.0mm, Euro Plug, Vertical FWE, Mounting Ends	14	395272014	395272314	395272414	395272514	395272614	395272914	395277014	395277314	395277414	395277514	395277614	395277914	80.0	3.15	65.0	2.56	75.0	2.95
5.0mm, Euro Plug, Vertical FWE, Mounting Ends	15	395272015	395272315	395272415	395272515	395272615	395272915	395277015	395277315	395277415	395277515	395277615	395277915	85.0	3.35	70.0	2.76	80.0	3.15
5.0mm, Euro Plug, Vertical FWE, Mounting Ends	16	395272016	395272316	395272416	395272516	395272616	395272916	395277016	395277316	395277416	395277516	395277616	395277916	90.0	3.54	75.0	2.95	85.0	3.35
5.0mm, Euro Plug, Vertical FWE, Mounting Ends	17	395272017	395272317	395272417	395272517	395272617	395272917	395277017	395277317	395277417	395277517	395277617	395277917	95.0	3.74	80.0	3.15	90.0	3.54
5.0mm, Euro Plug, Vertical FWE, Mounting Ends	18	395272018	395272318	395272418	395272518	395272618	395272918	395277018	395277318	395277418	395277518	395277618	395277918	100.0	3.94	85.0	3.35	95.0	3.74
5.0mm, Euro Plug, Vertical FWE, Mounting Ends	19	395272019	395272319	395272419	395272519	395272619	395272919	395277019	395277319	395277419	395277519	395277619	395277919	105.0	4.13	90.0	3.54	100.0	3.94
5.0mm, Euro Plug, Vertical FWE, Mounting Ends	20	395272020	395272320	395272420	395272520	395272620	395272920	395277020	395277320	395277420	395277520	395277620	395277920	110.0	4.33	95.0	3.74	105.0	4.13
5.0mm, Euro Plug, Vertical FWE, Mounting Ends	21	395272021	395272321	395272421	395272521	395272621	395272921	395277021	395277321	395277421	395277521	395277621	395277921	115.0	4.53	100.0	3.94	110.0	4.33
5.0mm, Euro Plug, Vertical FWE, Mounting Ends	22	395272022	395272322	395272422	395272522	395272622	395272922	395277022	395277322	395277422	395277522	395277622	395277922	120.0	4.72	105.0	4.13	115.0	4.53
5.0mm, Euro Plug, Vertical FWE, Mounting Ends	23	395272023	395272323	395272423	395272523	395272623	395272923	395277023	395277323	395277423	395277523	395277623	395277923	125.0	4.92	110.0	4.33	120.0	4.72
5.0mm, Euro Plug, Vertical FWE, Mounting Ends	24	395272024	395272324	395272424	395272524	395272624	395272924	395277024	395277324	395277424	395277524	395277624	395277924	130.0	5.12	115.0	4.53	125.0	4.92

SEE SHEET 1 EC NO: ETC2006-0308 DRWNG: YORK 2006/03/12 CHKD: RDEROSS 2006/03/14 APPR: RDEROSS 2006/03/14	QUALITY SYMBOLS ▽=0 ▽=0	GENERAL TOLERANCES (UNLESS SPECIFIED)		DIMENSION STYLE MM/IN		SCALE 3:1	DESIGN UNITS INCH	THIRD ANGLE PROJECTION
		4 PLACES ± --- ±.0015	3 PLACES ± 0.038 ±.005	DRAWN BY C. YORK	DATE 2006/03/16	TITLE 5.0MM, EURO PLUG, VERTICAL, FRONT WIRE ENTRY WITH MOUNTING ENDS		
		2 PLACES ± 0.13 ±.01	1 PLACE ± 0.3 ± ---	CHECKED BY R. DEROSS	DATE 2006/03/16			
		ANGULAR ± 2 °		APPROVED BY R. DEROSS	DATE 2006/03/16	MOLEX MOLEX INCORPORATED		
DRAFT WHERE APPLICABLE MUST REMAIN WITHIN DIMENSIONS	MATERIAL NO. SEE CHART	DOCUMENT NO. SD-39527-002	SHEET NO. 2 OF 2					