

PLEASE CHECK WWW.MOLEX.COM FOR LATEST PART INFORMATION

Part Number: [0395220012](#)
Status: **Active**
Description: 5.00mm (.197") Pitch Eurostyle™ Horizontal PCB Header, Open Ends, 12 Circuits

Documents:

[3D Model](#) [Product Specification PS-39500-001 \(PDF\)](#)
[Drawing \(PDF\)](#) [RoHS Certificate of Compliance \(PDF\)](#)

General

Product Family	Terminal Blocks
Series	39522
Application	Wire-to-Board
Component Type	PCB Header
Product Literature Order No	USA-355
Product Name	ESE, Eurostyle™ Pluggable
Type	Euro Block

Physical

Circuits (Loaded)	12
Entry Angle	N/A
Lock to Mating Part	Yes
Number of Rows	1
Orientation	Horizontal
PC Tail Length (in)	0.154 In
PC Tail Length (mm)	3.90 mm
PCB Thickness Recommended (in)	0.125 In
PCB Thickness Recommended (mm)	3.20 mm
Panel Mount	No
Pitch - Mating Interface (in)	0.197 In
Pitch - Mating Interface (mm)	5.00 mm
Polarized to Mating Part	Yes
Shrouded	Open Ends
Stackable	No
Surface Mount Compatible (SMC)	N/A
Temperature Range - Operating	-40°C to +105°C
Wire Size AWG	N/A

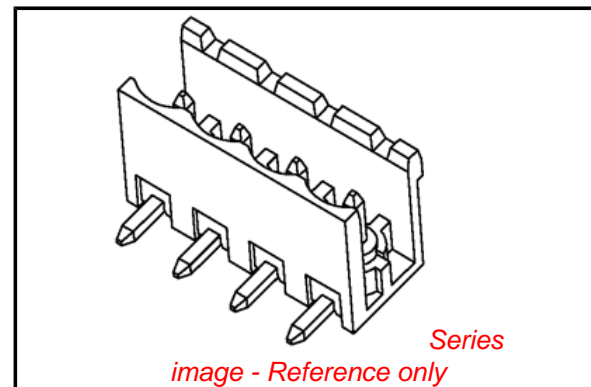
Electrical

Current - Maximum per Contact	15A
Voltage - Maximum	300V

Material Info

Reference - Drawing Numbers

Product Specification	PS-39500-001
Sales Drawing	SD-39501-002, SD-39522-003



EU RoHS

**ELV and RoHS
Compliant**
REACH SVHC
 Not Reviewed
Halogen-Free
Status
Not Reviewed

China RoHS



**Need more information on product
environmental compliance?**

Email productcompliance@molex.com
 For a multiple part number RoHS Certificate of Compliance, [click here](#)

Please visit the [Contact Us](#) section for any non-product compliance questions.

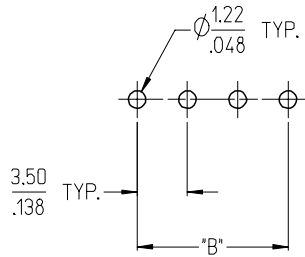
Search Parts in this Series

[39522Series](#)

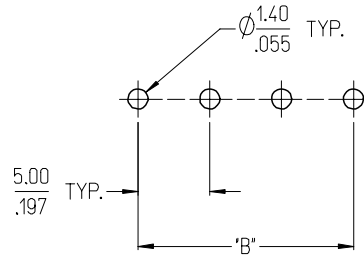
Mates With

[39520](#) Horizontal Plug, [39523](#) Vertical Plug, Most 5.00mm (.197") Pitch Industry Standard Plugs

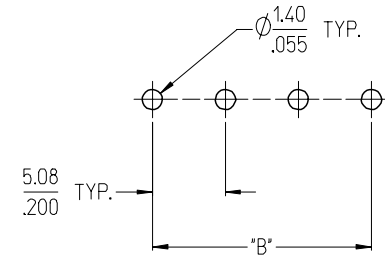
3950X SERIES
3.50mm HEADERS



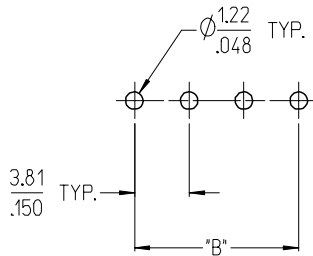
3952X & 3954X SERIES
5.00mm HEADERS
5.00mm 10 AMP FIXED



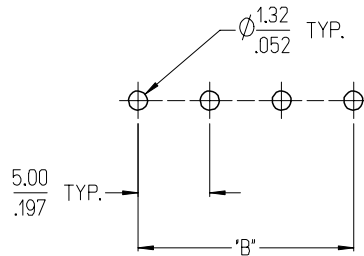
3953X SERIES
5.08mm HEADERS



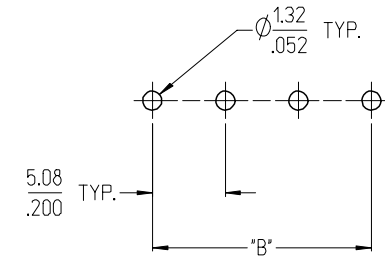
3951X SERIES
3.81mm HEADERS



3954X SERIES
5.00mm 15 AMP FIXED



3954X SERIES
5.08mm 15 AMP FIXED



NOTES:

- REFER TO INDIVIDUAL PRODUCT SALES DRAWINGS FOR "B" DIMENSION.
- DOES NOT APPLY TO DUAL LEVEL HEADERS, SERIES 39528 AND 39538.
- TYP. = TYPICAL.

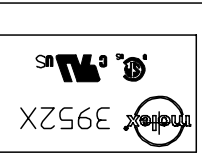
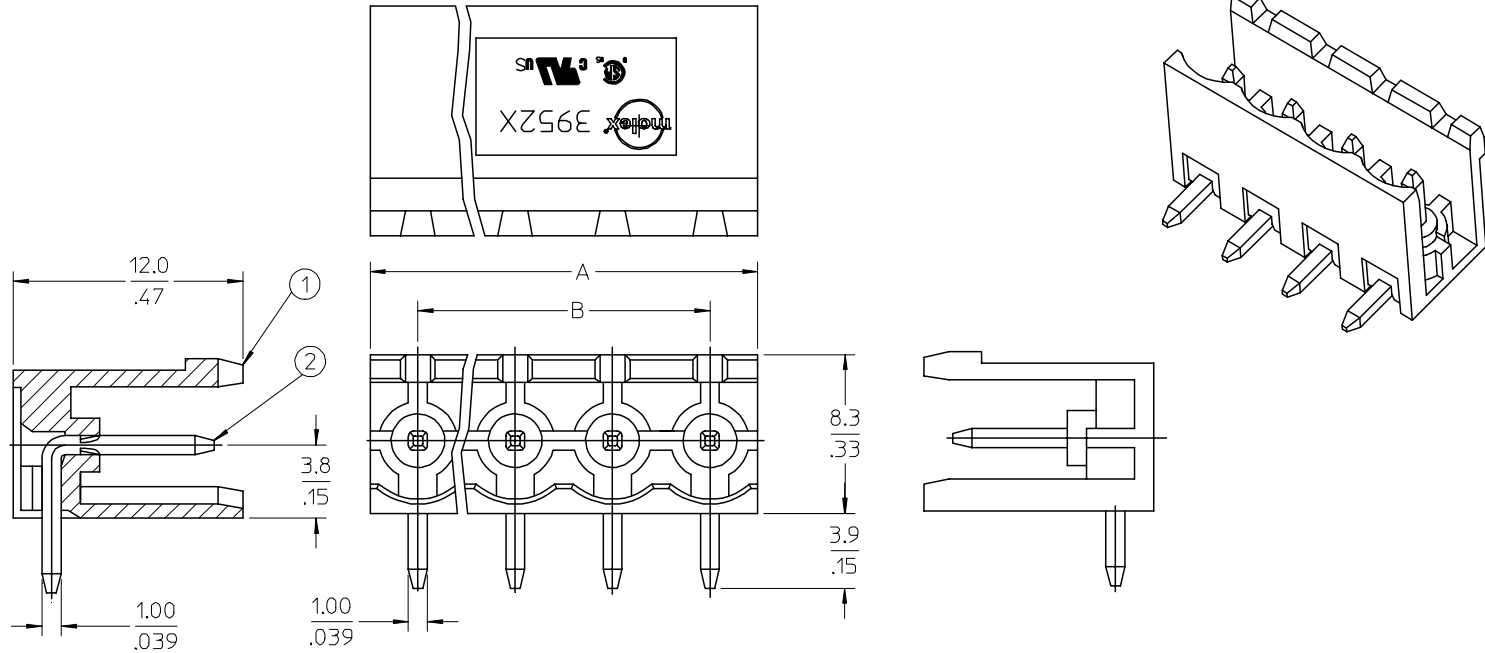
INITIAL RELEASE
EC NO: ETC2007-0096
DRW: CLYORK 2006/10/02
CHKD: JMACNEIL 2006/10/04
APPR: JMACNEIL 2006/10/04

REV	DESCRIPTION
A	

	QUALITY SYMBOLS	
	mm	INCH
4 PLACES	± .005	± .005
3 PLACES	± .010	± .005
2 PLACES	± 0.13	± .01
1 PLACE	± 0.3	± .01
ANGULAR ± 2 °		

GENERAL TOLERANCES (UNLESS SPECIFIED)	
mm	INCH
4 PLACES	± .005
3 PLACES	± .010
2 PLACES	± 0.13
1 PLACE	± 0.3
ANGULAR ± 2 °	

DIMENSION STYLE	SCALE	DESIGN UNITS	THIRD ANGLE PROJECTION
MM/IN	3:1	INCH	
DRAWN BY	DATE	TITLE	
C. YORK	2006/08/25	RECOMMENDED PCB LAYOUT FOR ESE TERMINAL BLOCKS	
CHECKED BY	DATE	MOLEX INCORPORATED	
J. MACNEIL	2006/08/25	DOCUMENT NO. SD-39501-002	
APPROVED BY	DATE	SHEET NO. 1 OF 1	
J. MACNEIL	2006/08/25		
MATERIAL NO.	---	THIS DRAWING CONTAINS INFORMATION THAT IS PROPRIETARY TO MOLEX INCORPORATED AND SHOULD NOT BE USED WITHOUT WRITTEN PERMISSION	



SPECIFICATIONS:

1. Material:
 - (1). Body: PA66
 - (2). Pin: Brass
2. Wire range: N/A
3. Electrical rating: 300V, 15A.
4. Wire strip length: N/A
5. Operating temperature: -40C to +105C.
6. Max torque: N/A
7. Insulation resistance: DC 500V, 500M.
8. Dielectric withstand: AC 2500V for 1 minute.
9. Breakdown voltage: 4000V.
10. A = (N x P)
11. B = (N - 1) x P
12. P (PITCH) = 5.0mm (.197").
13. N = Number of positions available 2 through 24.

ENTER DESCRIPTION EC NO: NEO2006-0310 DRWNL: LROTHAUS 2006/01/09 CHKD: CYORK 2006/01/09 APPR: JPAMLIK 2006/01/10	QUALITY SYMBOLS ▽=0 ▽=0	GENERAL TOLERANCES (UNLESS SPECIFIED)		DIMENSION STYLE	SCALE	DESIGN UNITS	THIRD ANGLE PROJECTION		
			mm	INCH	MM/IN	4:1	INCH		
		4 PLACES	± ---	± .0015	DRAWN BY	DATE	TITLE		
		3 PLACES	± 0.038	± .005	LROTHAUS	12/6/05	5.0MM, EURO HEADER, RIGHT ANGLE, OPEN END		
2 PLACES	± 0.13	± .01	CYORK	01/06/06	MOLEX INCORPORATED				
1 PLACE	± 0.3	± ---	APPROVED BY		DATE	MATERIAL NO.			
ANGULAR ± 2 °		DRAFT WHERE APPLICABLE MUST REMAIN WITHIN DIMENSIONS		SEE CHART		DOCUMENT NO.	SHEET NO.		
						SD-39522-003	1 OF 1		
				THIS DRAWING CONTAINS INFORMATION THAT IS PROPRIETARY TO MOLEX INCORPORATED AND SHOULD NOT BE USED WITHOUT WRITTEN PERMISSION					

10 9 8 7 6 5 4 3 2 1

Description	Circuit size	Material Numbers											Dimensional Information				
		Black						Green					Dim. A		Dim B		
		100% Tin			30 u" Gold			100% Tin			30 u" Gold						
		Printing Options			Printing Options			Printing Options			Printing Options						
None	10A	11A	None	10A	11A	None	10A	11A	None	10A	11A	mm	inch	mm	inch		
5.0mm, Euro Header, Right Angle, Open End	2	395220002	395220102	395220202	395220602	395220602	395220702	395225002	395225102	395225202	395225502	395225602	395225702	10.00	0.394	5.00	0.197
5.0mm, Euro Header, Right Angle, Open End	3	395220003	395220103	395220203	395220603	395220603	395220703	395225003	395225103	395225203	395225503	395225603	395225703	15.00	0.591	10.00	0.394
5.0mm, Euro Header, Right Angle, Open End	4	395220004	395220104	395220204	395220604	395220604	395220704	395225004	395225104	395225204	395225504	395225604	395225704	20.00	0.787	15.00	0.591
5.0mm, Euro Header, Right Angle, Open End	5	395220005	395220105	395220205	395220605	395220605	395220705	395225005	395225105	395225205	395225505	395225605	395225705	25.00	0.984	20.00	0.787
5.0mm, Euro Header, Right Angle, Open End	6	395220006	395220106	395220206	395220606	395220606	395220706	395225006	395225106	395225206	395225506	395225606	395225706	30.00	1.181	25.00	0.984
5.0mm, Euro Header, Right Angle, Open End	7	395220007	395220107	395220207	395220607	395220607	395220707	395225007	395225107	395225207	395225507	395225607	395225707	35.00	1.378	30.00	1.181
5.0mm, Euro Header, Right Angle, Open End	8	395220008	395220108	395220208	395220608	395220608	395220708	395225008	395225108	395225208	395225508	395225608	395225708	40.00	1.575	35.00	1.378
5.0mm, Euro Header, Right Angle, Open End	9	395220009	395220109	395220209	395220609	395220609	395220709	395225009	395225109	395225209	395225509	395225609	395225709	45.00	1.772	40.00	1.575
5.0mm, Euro Header, Right Angle, Open End	10	395220010	395220110	395220210	395220610	395220610	395220710	395225010	395225110	395225210	395225510	395225610	395225710	50.00	1.969	45.00	1.772
5.0mm, Euro Header, Right Angle, Open End	11	395220011	395220111	395220211	395220611	395220611	395220711	395225011	395225111	395225211	395225511	395225611	395225711	55.00	2.165	50.00	1.969
5.0mm, Euro Header, Right Angle, Open End	12	395220012	395220112	395220212	395220612	395220612	395220712	395225012	395225112	395225212	395225512	395225612	395225712	60.00	2.362	55.00	2.165
5.0mm, Euro Header, Right Angle, Open End	13	395220013	395220113	395220213	395220613	395220613	395220713	395225013	395225113	395225213	395225513	395225613	395225713	65.00	2.559	60.00	2.362
5.0mm, Euro Header, Right Angle, Open End	14	395220014	395220114	395220214	395220614	395220614	395220714	395225014	395225114	395225214	395225514	395225614	395225714	70.00	2.756	65.00	2.559
5.0mm, Euro Header, Right Angle, Open End	15	395220015	395220115	395220215	395220615	395220615	395220715	395225015	395225115	395225215	395225515	395225615	395225715	75.00	2.953	70.00	2.756
5.0mm, Euro Header, Right Angle, Open End	16	395220016	395220116	395220216	395220616	395220616	395220716	395225016	395225116	395225216	395225516	395225616	395225716	80.00	3.150	75.00	2.953
5.0mm, Euro Header, Right Angle, Open End	17	395220017	395220117	395220217	395220617	395220617	395220717	395225017	395225117	395225217	395225517	395225617	395225717	85.00	3.346	80.00	3.150
5.0mm, Euro Header, Right Angle, Open End	18	395220018	395220118	395220218	395220618	395220618	395220718	395225018	395225118	395225218	395225518	395225618	395225718	90.00	3.543	85.00	3.346
5.0mm, Euro Header, Right Angle, Open End	19	395220019	395220119	395220219	395220619	395220619	395220719	395225019	395225119	395225219	395225519	395225619	395225719	95.00	3.740	90.00	3.543
5.0mm, Euro Header, Right Angle, Open End	20	395220020	395220120	395220220	395220620	395220620	395220720	395225020	395225120	395225220	395225520	395225620	395225720	100.00	3.937	95.00	3.740
5.0mm, Euro Header, Right Angle, Open End	21	395220021	395220121	395220221	395220621	395220621	395220721	395225021	395225121	395225221	395225521	395225621	395225721	105.00	4.134	100.00	3.937
5.0mm, Euro Header, Right Angle, Open End	22	395220022	395220122	395220222	395220622	395220622	395220722	395225022	395225122	395225222	395225522	395225622	395225722	110.00	4.331	105.00	4.134
5.0mm, Euro Header, Right Angle, Open End	23	395220023	395220123	395220223	395220623	395220623	395220723	395225023	395225123	395225223	395225523	395225623	395225723	115.00	4.528	110.00	4.331
5.0mm, Euro Header, Right Angle, Open End	24	395220024	395220124	395220224	395220624	395220624	395220724	395225024	395225124	395225224	395225524	395225624	395225724	120.00	4.724	115.00	4.528

SEE SHEET 1 EC NO: NEC2006-0310 DRWNL: LROTHAUS 2006/01/09 CHKD: CYORK 2006/01/09 APPR: JPAWLIK 2006/01/10	QUALITY SYMBOLS	GENERAL TOLERANCES (UNLESS SPECIFIED)	DIMENSION STYLE	SCALE	DESIGN UNITS	THIRD ANGLE PROJECTION										
	$\nabla = 0$ $\nabla = 0$	<table border="1"> <tr><th>mm</th><th>INCH</th></tr> <tr><td>4 PLACES ± ---</td><td>±.0015</td></tr> <tr><td>3 PLACES ± 0.038</td><td>±.005</td></tr> <tr><td>2 PLACES ± 0.13</td><td>±.01</td></tr> <tr><td>1 PLACE ± 0.3</td><td>± ---</td></tr> </table>	mm	INCH	4 PLACES ± ---		±.0015	3 PLACES ± 0.038	±.005	2 PLACES ± 0.13	±.01	1 PLACE ± 0.3	± ---	MM/IN	4:1	INCH
	mm	INCH														
	4 PLACES ± ---	±.0015														
3 PLACES ± 0.038	±.005															
2 PLACES ± 0.13	±.01															
1 PLACE ± 0.3	± ---															
DESCRIPTION	<table border="1"> <tr><th>DRAWN BY</th><th>DATE</th></tr> <tr><td>LROTHAUS</td><td>12/6/05</td></tr> <tr><th>CHECKED BY</th><th>DATE</th></tr> <tr><td>C. YORK</td><td>01/06/06</td></tr> <tr><th>APPROVED BY</th><th>DATE</th></tr> <tr><td></td><td></td></tr> </table>	DRAWN BY	DATE	LROTHAUS	12/6/05	CHECKED BY	DATE	C. YORK	01/06/06	APPROVED BY	DATE			TITLE	5.0MM, EURO HEADER, RIGHT ANGLE, OPEN END	
DRAWN BY	DATE															
LROTHAUS	12/6/05															
CHECKED BY	DATE															
C. YORK	01/06/06															
APPROVED BY	DATE															
REV	<table border="1"> <tr><th>MATERIAL NO.</th><th>DOCUMENT NO.</th><th>SHEET NO.</th></tr> <tr><td>SEE CHART</td><td>SD-39522-003</td><td>2 OF 2</td></tr> </table>	MATERIAL NO.	DOCUMENT NO.	SHEET NO.	SEE CHART	SD-39522-003	2 OF 2	THIS DRAWING CONTAINS INFORMATION THAT IS PROPRIETARY TO MOLEX INCORPORATED AND SHOULD NOT BE USED WITHOUT WRITTEN PERMISSION								
MATERIAL NO.	DOCUMENT NO.	SHEET NO.														
SEE CHART	SD-39522-003	2 OF 2														

9 8 7 6 5 4 3 2 1