

**PLEASE CHECK WWW.MOLEX.COM FOR LATEST PART INFORMATION**

**Part Number:** [0395132003](#)  
**Status:** **Active**  
**Description:** 3.81mm (.150") Pitch Eurostyle™ Vertical Plug, Rear Wire Entry, 3 Circuits

**Documents:**

[3D Model](#) [Product Specification PS-39500-001 \(PDF\)](#)  
[Drawing \(PDF\)](#) [RoHS Certificate of Compliance \(PDF\)](#)

**General**

|                             |                           |
|-----------------------------|---------------------------|
| Product Family              | Terminal Blocks           |
| Series                      | <a href="#">39513</a>     |
| Application                 | Wire-to-Board             |
| Comments                    | Rear Wire Entry           |
| Component Type              | Plug                      |
| Product Literature Order No | USA-355                   |
| Product Name                | ESE, Eurostyle™ Pluggable |
| Type                        | Euro Block                |

**Physical**

|                               |                                |
|-------------------------------|--------------------------------|
| Circuits (Loaded)             | 3                              |
| Entry Angle                   | Horizontal                     |
| Lock to Mating Part           | None                           |
| Number of Rows                | 1                              |
| Orientation                   | Vertical                       |
| Panel Mount                   | No                             |
| Pitch - Mating Interface (in) | 0.150 In                       |
| Pitch - Mating Interface (mm) | 3.81 mm                        |
| Polarized to Mating Part      | Yes                            |
| Stackable                     | No                             |
| Temperature Range - Operating | -40°C to +105°C                |
| Wire Size AWG                 | 16, 18, 20, 22, 24, 26, 28, 30 |
| Wire Size mm²                 | 0.05 - 1.31                    |

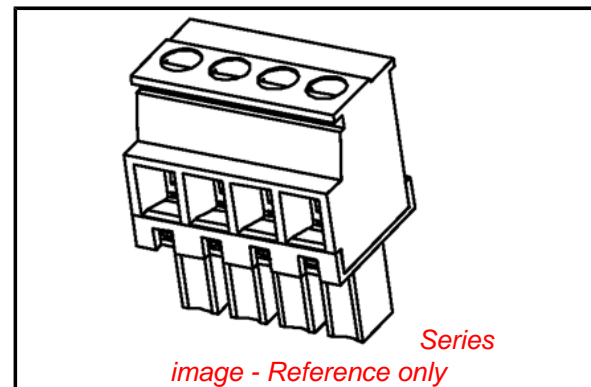
**Electrical**

|                               |      |
|-------------------------------|------|
| Current - Maximum per Contact | 8A   |
| Voltage - Maximum             | 300V |

**Material Info**

**Reference - Drawing Numbers**

|                       |              |
|-----------------------|--------------|
| Product Specification | PS-39500-001 |
| Sales Drawing         | SD-39513-002 |



**EU RoHS**

**RoHS Compliant by Exemption**

**REACH SVHC**

Not Reviewed

**Halogen-Free**

**Status**

**Not Reviewed**

**China RoHS**



Pb

**Need more information on product environmental compliance?**

Email [productcompliance@molex.com](mailto:productcompliance@molex.com)  
 For a multiple part number RoHS Certificate of Compliance, [click here](#)

Please visit the [Contact Us](#) section for any non-product compliance questions.

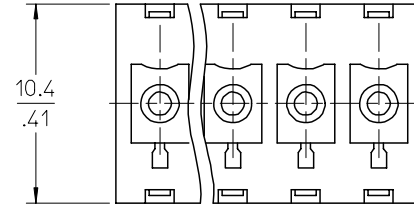
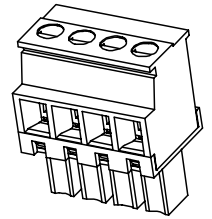
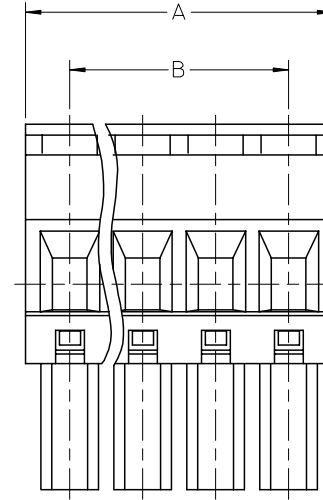
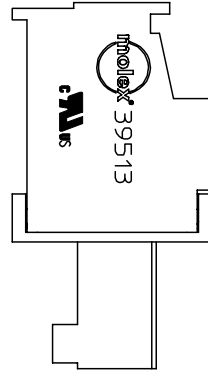
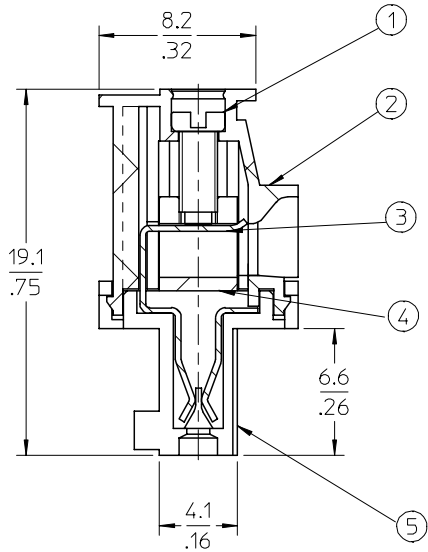
**Search Parts in this Series**

[39513Series](#)

**Mates With**

Most 3.81mm (.150") Pitch Industry Standard PCB Headers, [39511](#) Vertical PCB Header, [39512](#) Horizontal PCB Header

**PLEASE CHECK WWW.MOLEX.COM FOR LATEST PART INFORMATION**



SPECIFICATIONS:

1. Material:
  - (1). Screw: STEEL.
  - (2). Body: PA66
  - (3). Terminal: Brass
  - (4). Cage: Brass
  - (5). Cover: PA66
2. Wire range: 30 - 16AWG.
3. Electrical rating: 300V, 8A.
4. MAX TORQUE: 3 in-lbs.
5. Wire strip length: 5.00mm.
6. Operating temperature: -40C to +105C.
7.  $A = (N \times P) + .79mm$ .
8.  $B = (N - 1) \times P$
9.  $P = (Pitch) = 3.81mm (.150")$ .
10. N = Number of positions available 2 through 20.
11. ASSEMBLY IS ROHS COMPLIANT.

| EDIT TITLE<br>EC NO: ETC2007-0459<br>DRWN: CLYORK 2007/06/21<br>CHKD: JMACNEIL 2007/06/22<br>APPR: JMACNEIL 2007/06/25 | QUALITY SYMBOLS  | GENERAL TOLERANCES (UNLESS SPECIFIED)   | DIMENSION STYLE   | SCALE | DESIGN UNITS        | THIRD ANGLE PROJECTION |       |        |          |        |       |          |       |      |         |      |       |       |     |      |  |
|--|--|---|---|-------|---------------------|------------------------|-------|--------|----------|--------|-------|----------|-------|------|---------|------|-------|-------|-----|------|--|
|  | $\nabla=0$<br>$\nabla=0$                                 | <table border="1"> <thead> <tr> <th></th> <th>mm</th> <th>INCH</th> </tr> </thead> <tbody> <tr> <td>4 PLACES</td> <td>± ---</td> <td>±.0015</td> </tr> <tr> <td>3 PLACES</td> <td>±0.038</td> <td>±.005</td> </tr> <tr> <td>2 PLACES</td> <td>±0.13</td> <td>±.01</td> </tr> <tr> <td>1 PLACE</td> <td>±0.3</td> <td>± ---</td> </tr> </tbody> </table> |   | mm    | INCH                | 4 PLACES               | ± --- | ±.0015 | 3 PLACES | ±0.038 | ±.005 | 2 PLACES | ±0.13 | ±.01 | 1 PLACE | ±0.3 | ± --- | MM/IN | 4:1 | INCH |  |
|  |  | mm  | INCH  |       |                     |                        |       |        |          |        |       |          |       |      |         |      |       |       |     |      |  |
|  | 4 PLACES   | ± ---   | ±.0015  |       |                     |                        |       |        |          |        |       |          |       |      |         |      |       |       |     |      |  |
| 3 PLACES   | ±0.038   | ±.005   |   |       |                     |                        |       |        |          |        |       |          |       |      |         |      |       |       |     |      |  |
| 2 PLACES   | ±0.13  | ±.01  |   |       |                     |                        |       |        |          |        |       |          |       |      |         |      |       |       |     |      |  |
| 1 PLACE  | ±0.3   | ± ---   |   |       |                     |                        |       |        |          |        |       |          |       |      |         |      |       |       |     |      |  |
| DRAWN BY: LROTHAUS<br>CHECKED BY: C. YORK<br>APPROVED BY: J. PAWLICKI  | DATE: 2005/12/06<br>DATE: 2006/01/06<br>DATE: 2006/01/10 | TITLE   | 3.81MM, EURO TERM BLOCK<br>VERTICAL, PLUG,<br>REAR WIRE ENTRY |       |                     |                        |       |        |          |        |       |          |       |      |         |      |       |       |     |      |  |
| MATERIAL NO.<br>SEE SHT. 2   | DOCUMENT NO.<br>SD-39513-002                             | MOLEX INCORPORATED  |   |       | SHEET NO.<br>1 OF 2 |                        |       |        |          |        |       |          |       |      |         |      |       |       |     |      |  |
| DRAFT WHERE APPLICABLE<br>MUST REMAIN<br>WITHIN DIMENSIONS   |  | THIS DRAWING CONTAINS INFORMATION THAT IS PROPRIETARY TO MOLEX<br>INCORPORATED AND SHOULD NOT BE USED WITHOUT WRITTEN PERMISSION  |   |       |                     |                        |       |        |          |        |       |          |       |      |         |      |       |       |     |      |  |

| Circuit size | Material Numbers |           |           |                  |           |           |                  |           |           |                  |           |           | Dimensional Information |       |       |       |    |      |
|--------------|------------------|-----------|-----------|------------------|-----------|-----------|------------------|-----------|-----------|------------------|-----------|-----------|-------------------------|-------|-------|-------|----|------|
|              | Black            |           |           |                  |           |           | Green            |           |           |                  |           |           |                         |       |       |       |    |      |
|              | 100% Tin         |           |           | 30 u" Gold       |           |           | 100% Tin         |           |           | 30 u" Gold       |           |           | Dim. A                  |       | Dim B |       |    |      |
|              | Printing Options |           |           | Printing Options |           |           | Printing Options |           |           | Printing Options |           |           |                         |       |       |       |    |      |
| None         | 10AV             | 11AV      | None      | 10AV             | 11AV      | None      | 10AV             | 11AV      | None      | 10AV             | 11AV      | None      | 10AV                    | 11AV  | mm    | inch  | mm | inch |
| 2            | 395132002        | 395132302 | 395132402 | 395132502        | 395132802 | 395132902 | 395137002        | 395137302 | 395137402 | 395137502        | 395137802 | 395137902 | 8.41                    | 0.331 | 3.81  | 0.150 |    |      |
| 3            | 395132003        | 395132303 | 395132403 | 395132503        | 395132803 | 395132903 | 395137003        | 395137303 | 395137403 | 395137503        | 395137803 | 395137903 | 12.22                   | 0.481 | 7.62  | 0.300 |    |      |
| 4            | 395132004        | 395132304 | 395132404 | 395132504        | 395132804 | 395132904 | 395137004        | 395137304 | 395137404 | 395137504        | 395137804 | 395137904 | 16.03                   | 0.631 | 11.43 | 0.450 |    |      |
| 5            | 395132005        | 395132305 | 395132405 | 395132505        | 395132805 | 395132905 | 395137005        | 395137305 | 395137405 | 395137505        | 395137805 | 395137905 | 19.84                   | 0.781 | 15.24 | 0.600 |    |      |
| 6            | 395132006        | 395132306 | 395132406 | 395132506        | 395132806 | 395132906 | 395137006        | 395137306 | 395137406 | 395137506        | 395137806 | 395137906 | 23.65                   | 0.931 | 19.05 | 0.750 |    |      |
| 7            | 395132007        | 395132307 | 395132407 | 395132507        | 395132807 | 395132907 | 395137007        | 395137307 | 395137407 | 395137507        | 395137807 | 395137907 | 27.46                   | 1.081 | 22.86 | 0.900 |    |      |
| 8            | 395132008        | 395132308 | 395132408 | 395132508        | 395132808 | 395132908 | 395137008        | 395137308 | 395137408 | 395137508        | 395137808 | 395137908 | 31.27                   | 1.231 | 26.67 | 1.050 |    |      |
| 9            | 395132009        | 395132309 | 395132409 | 395132509        | 395132809 | 395132909 | 395137009        | 395137309 | 395137409 | 395137509        | 395137809 | 395137909 | 35.08                   | 1.381 | 30.48 | 1.200 |    |      |
| 10           | 395132010        | 395132310 | 395132410 | 395132510        | 395132810 | 395132910 | 395137010        | 395137310 | 395137410 | 395137510        | 395137810 | 395137910 | 38.89                   | 1.531 | 34.29 | 1.350 |    |      |
| 11           | 395132011        | 395132311 | 395132411 | 395132511        | 395132811 | 395132911 | 395137011        | 395137311 | 395137411 | 395137511        | 395137811 | 395137911 | 42.70                   | 1.681 | 38.10 | 1.500 |    |      |
| 12           | 395132012        | 395132312 | 395132412 | 395132512        | 395132812 | 395132912 | 395137012        | 395137312 | 395137412 | 395137512        | 395137812 | 395137912 | 46.51                   | 1.831 | 41.91 | 1.650 |    |      |
| 13           | 395132013        | 395132313 | 395132413 | 395132513        | 395132813 | 395132913 | 395137013        | 395137313 | 395137413 | 395137513        | 395137813 | 395137913 | 50.32                   | 1.981 | 45.72 | 1.800 |    |      |
| 14           | 395132014        | 395132314 | 395132414 | 395132514        | 395132814 | 395132914 | 395137014        | 395137314 | 395137414 | 395137514        | 395137814 | 395137914 | 54.13                   | 2.131 | 49.53 | 1.950 |    |      |
| 15           | 395132015        | 395132315 | 395132415 | 395132515        | 395132815 | 395132915 | 395137015        | 395137315 | 395137415 | 395137515        | 395137815 | 395137915 | 57.94                   | 2.281 | 53.34 | 2.100 |    |      |
| 16           | 395132016        | 395132316 | 395132416 | 395132516        | 395132816 | 395132916 | 395137016        | 395137316 | 395137416 | 395137516        | 395137816 | 395137916 | 61.75                   | 2.431 | 57.15 | 2.250 |    |      |
| 17           | 395132017        | 395132317 | 395132417 | 395132517        | 395132817 | 395132917 | 395137017        | 395137317 | 395137417 | 395137517        | 395137817 | 395137917 | 65.56                   | 2.581 | 60.96 | 2.400 |    |      |
| 18           | 395132018        | 395132318 | 395132418 | 395132518        | 395132818 | 395132918 | 395137018        | 395137318 | 395137418 | 395137518        | 395137818 | 395137918 | 69.37                   | 2.731 | 64.77 | 2.550 |    |      |
| 19           | 395132019        | 395132319 | 395132419 | 395132519        | 395132819 | 395132919 | 395137019        | 395137319 | 395137419 | 395137519        | 395137819 | 395137919 | 73.18                   | 2.881 | 68.58 | 2.700 |    |      |
| 20           | 395132020        | 395132320 | 395132420 | 395132520        | 395132820 | 395132920 | 395137020        | 395137320 | 395137420 | 395137520        | 395137820 | 395137920 | 76.99                   | 3.031 | 72.39 | 2.850 |    |      |

|   |                               |  |  |   |  |                    |              |                        |
|---|-------------------------------|--|--|---|--|--------------------|--------------|------------------------|
| SEE SHEET 1<br>EC NO: ETC2007-0459<br>DRWN: CLYORK 2007/06/21<br>CHKD: JMAGNELL 2007/06/22<br>APPR: JMAGNELL 2007/06/25 | QUALITY SYMBOLS<br>▽=0<br>▽=0 | GENERAL TOLERANCES (UNLESS SPECIFIED)                |  | DIMENSION STYLE   |  | SCALE              | DESIGN UNITS | THIRD ANGLE PROJECTION |
|   |                               |  |  | MM/IN   |  | 4:1                | INCH         |                        |
|   |                               |  |  | DRAWN BY DATE   |  | TITLE              |              |                        |
|   |                               |  |  | CHECKED BY DATE   |  | MOLEX INCORPORATED |              |                        |
|   |                               | APPROVED BY DATE                                     |  | DOCUMENT NO.  |  | SHEET NO.          |              |                        |
|   |                               | ANGULAR ± 2 °  |  | SEE CHART   |  | 2 OF 2             |              |                        |
|   |                               | DRAFT WHERE APPLICABLE MUST REMAIN WITHIN DIMENSIONS |  | THIS DRAWING CONTAINS INFORMATION THAT IS PROPRIETARY TO MOLEX INCORPORATED AND SHOULD NOT BE USED WITHOUT WRITTEN PERMISSION |  |                    |              |                        |