

**PLEASE CHECK WWW.MOLEX.COM FOR LATEST PART INFORMATION**

**Part Number:** [0365010121](#)  
**Status:** **Active**  
**Overview:** [din\\_41612](#)  
**Description:** 2.54mm (.100") Pitch DIN 41612 C/2 Style Female Receptacle, Vertical, Through Hole, 1.10µm (43µ") Selective Gold (Au) Plating, 32 Circuits, Solder Tail Length 4.50mm (.177"), without Mounting Clips, No Flux Proof, Lead Free

**Documents:**

[Drawing \(PDF\)](#) [RoHS Certificate of Compliance \(PDF\)](#)  
[Product Specification PS-36500-001 \(PDF\)](#)

**General**

Product Family	Backplane Connectors
Series	<a href="#">36501</a>
Application	Daughtercard
Comments	No Mounting Clips, Secured with Tubular Rivets/ Cheesehead Screws. No Flux Proof
Component Type	PCB Receptacle
Overview	<a href="#">din_41612</a>
Product Name	IEC 603-2/DIN 41612
Style	C/2

**Physical**

Circuits (Loaded)	32
Circuits (maximum)	32
Circuits Detail	1,2,3,...16 a+c
Color - Resin	Gray
Durability (mating cycles max)	500
First Mate / Last Break	No
Guide to Mating Part	No
Keying to Mating Part	Yes
Material - Metal	Phosphor Bronze
Material - Plating Mating	Gold
Material - Plating Termination	Tin
Material - Resin	Polyester
Number of Columns	16
Number of Pairs	Open Pin Field
Number of Rows	2
Orientation	Vertical
PC Tail Length (in)	0.177 In
PC Tail Length (mm)	4.50 mm
PCB Locator	No
PCB Retention	Yes
PCB Thickness Recommended (in)	0.063 In
PCB Thickness Recommended (mm)	1.60 mm
Packaging Type	Carton
Pitch - Mating Interface (in)	0.100 In
Pitch - Mating Interface (mm)	2.54 mm
Pitch - Term. Interface (in)	0.100 In
Pitch - Term. Interface (mm)	2.54 mm
Plating min: Mating (µin)	43
Plating min: Mating (µm)	1.10
Polarized to PCB	Yes
Stackable	No
Surface Mount Compatible (SMC)	No
Temperature Range - Operating	-55°C to +125°C

**EU RoHS**  
**ELV and RoHS**  
**Compliant**  
**REACH SVHC**  
**Not Reviewed**  
**Halogen-Free**  
**Status**  
**Not Reviewed**

**China RoHS**



**Need more information on product environmental compliance?**

Email [productcompliance@molex.com](mailto:productcompliance@molex.com)  
 For a multiple part number RoHS Certificate of Compliance, [click here](#)

Please visit the [Contact Us](#) section for any non-product compliance questions.

**Search Parts in this Series**  
[36501Series](#)

Termination Interface: Style Through Hole

**Electrical**

Current - Maximum per Contact 1A  
Data Rate 622.0 Mbps  
Voltage - Maximum 1000V (RMS)

**Material Info**

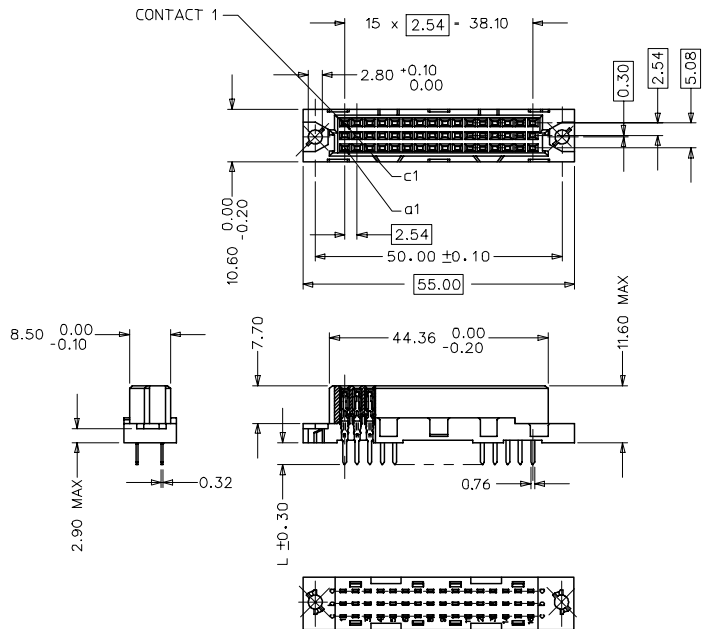
Old Part Number MMB2402C483

**Reference - Drawing Numbers**

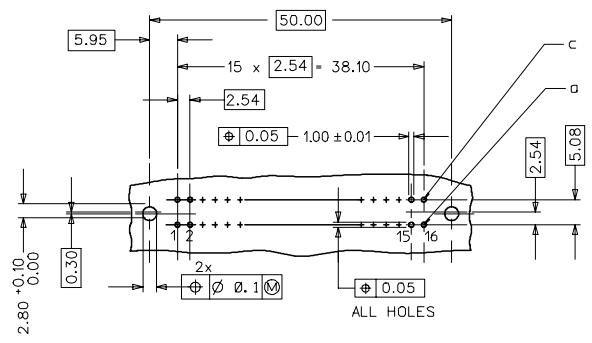
Packaging Specification PK-36501-001  
Product Specification PS-36500-001  
Sales Drawing SD-36501-0003

This document was generated on 05/13/2010

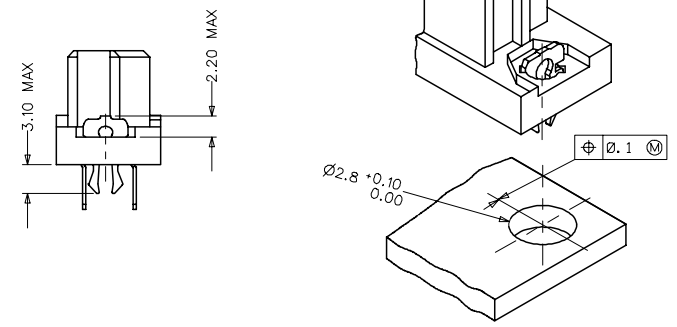
**PLEASE CHECK [WWW.MOLEX.COM](http://WWW.MOLEX.COM) FOR LATEST PART INFORMATION**



RECOMMENDED PCB LAYOUT  
COMPONENT SIDE



WITH MOUNTING CLIPS



- NOTES:
- MATERIALS: THERMOPLASTIC POLYESTER, GLASS FILLED, UL94V-0. COLOUR: PEBBLE GREY RAL 7032  
TERMINAL - PHOSPHOR BRONZE  
MOUNTING CLIP: STEEL
  - FINISH: TERMINAL:-  
CONTACT AREA
    - PERFORMANCE LEVEL 1: SELECTIVE GOLD (Au), THICKNESS = 1.1 MICROMETER OVER NICKEL, THICKNESS = 1.5 MICROMETER
    - PERFORMANCE LEVEL 2: SELECTIVE GOLD (Au), THICKNESS = 0.6 MICROMETER OVER NICKEL, THICKNESS = 1.5 MICROMETER
    - PERFORMANCE LEVEL 3: SELECTIVE GOLD (Au), THICKNESS = 0.3 MICROMETER OVER NICKEL, THICKNESS = 1.5 MICROMETER
 TERMINATION AREA:  
SELECTIVE TIN, THICKNESS = 5 MICROMETER  
OVER NICKEL, THICKNESS = 1.5 MICROMETER OVERALL
  - MOUNTING CLIP:-  
TIN (Sn), THICKNESS = 5-10 MICROMETER,  
OVER NICKEL (Ni), THICKNESS = 2.5 MICROMETER
  - FOR NON MOUNTING CLIP OPTION, CONNECTOR TO BE SECURED WITH RIVETS: 2 TUBULAR RIVETS 2.5 x 0.3 ... DIN 7340  
SCREWS: 2 CHEESEHEAD SCREWS M2.5 x ... DIN 84 AND 2 HEXAGONAL NUTS M2.5 DIN 934
  - MATERIAL No, BATCH CODE, UL AND CSA MARKING TO BE PRINTED ON THE CONNECTOR.
  - CUT FACES OF TIP WITHOUT PLATING PERMITTED.
  - PRODUCT SPECIFICATION PS-36500-001

RoHS COMPLIANT

<b>ENTER DESCRIPTION</b> ELC INC 12007 0044 2006/10/10 DRWNGSATTI/MARAD 2006/10/11 CHKD/SSUDHIR 2006/10/11 APPR/SSUDHIR 2006/10/16	<b>QUALITY SYMBOLS</b> ▽=0 ▽=0	<b>GENERAL TOLERANCES (UNLESS SPECIFIED)</b>		<b>DIMENSION STYLE</b> MM ONLY		SCALE 2:1	DESIGN UNITS METRIC	THIRD ANGLE PROJECTION
		4 PLACES ± --- ± --- 3 PLACES ± 0.005 ± --- 2 PLACES ± 0.1 ± --- 1 PLACE ± 0.15 ± ---	mm INCH	DRAWN BY SHANKAR	DATE 2006/04/25	TITLE ASSY DIN41612 C/2 FEMALE 32 POS 1.0MM PCB DIA A+C LOADED		
<b>REV</b> B1	<b>DESCRIPTION</b>	DRAFT WHERE APPLICABLE MUST REMAIN WITHIN DIMENSIONS		SEE SHEET 2		MATERIAL NO. SD-36501-0003		SHEET NO. 1 OF 2
		THIS DRAWING CONTAINS INFORMATION THAT IS PROPRIETARY TO MOLEX INCORPORATED AND SHOULD NOT BE USED WITHOUT WRITTEN PERMISSION						

	20	19	18	17	16	15	14	13	12	11	10	9	8	7	6	5	4	3	2	1
	MATERIAL No	MOLEX ENG No	PERF LEVEL	PLATING	CONTACT SEQUENCE/ROW	DIM "L" mm	MOUNTING CLIP	FLUX PROOF												
	36501-0097	MM-B2401-C483	1	Au+Ni	1.2.3....16 a+c	2.9	NO	NO												
	36501-0098	MM-B2501-C483	2	Au+Ni	1.2.3....16 a+c	2.9	NO	NO												
	36501-0099	MM-B2601-C483	3	Au+Ni	1.2.3....16 a+c	2.9	NO	NO												
L	36501-0103	MM-B2401-C413	1	Au+Ni	1.2.3....16 a+c	2.9	YES	NO												
	36501-0104	MM-B2501-C413	2	Au+Ni	1.2.3....16 a+c	2.9	YES	NO												
	36501-0105	MM-B2601-C413	3	Au+Ni	1.2.3....16 a+c	2.9	YES	NO												
	36501-0109	MM-B2401-C483-133	1	Au+Ni	1.2.3....16 a+c	2.9	NO	YES												
	36501-0110	MM-B2501-C483-133	2	Au+Ni	1.2.3....16 a+c	2.9	NO	YES												
K	36501-0111	MM-B2601-C483-133	3	Au+Ni	1.2.3....16 a+c	2.9	NO	YES												
	36501-0115	MM-B2401-C413-133	1	Au+Ni	1.2.3....16 a+c	2.9	YES	YES												
	36501-0116	MM-B2501-C413-133	2	Au+Ni	1.2.3....16 a+c	2.9	YES	YES												
	36501-0117	MM-B2601-C413-133	3	Au+Ni	1.2.3....16 a+c	2.9	YES	YES												
J	36501-0121	MM-B2402-C483	1	Au+Ni	1.2.3....16 a+c	4.5	NO	NO												
	36501-0122	MM-B2502-C483	2	Au+Ni	1.2.3....16 a+c	4.5	NO	NO												
	36501-0123	MM-B2602-C483	3	Au+Ni	1.2.3....16 a+c	4.5	NO	NO												
	36501-0127	MM-B2402-C413	1	Au+Ni	1.2.3....16 a+c	4.5	YES	NO												
	36501-0128	MM-B2502-C413	2	Au+Ni	1.2.3....16 a+c	4.5	YES	NO												
I	36501-0129	MM-B2602-C413	3	Au+Ni	1.2.3....16 a+c	4.5	YES	NO												
	36501-0133	MM-B2402-C483-133	1	Au+Ni	1.2.3....16 a+c	4.5	NO	YES												
	36501-0134	MM-B2502-C483-133	2	Au+Ni	1.2.3....16 a+c	4.5	NO	YES												
	36501-0135	MM-B2602-C483-133	3	Au+Ni	1.2.3....16 a+c	4.5	NO	YES												
H	36501-0139	MM-B2402-C413-133	1	Au+Ni	1.2.3....16 a+c	4.5	YES	YES												
	36501-0140	MM-B2502-C413-133	2	Au+Ni	1.2.3....16 a+c	4.5	YES	YES												
	36501-0141	MM-B2602-C413-133	3	Au+Ni	1.2.3....16 a+c	4.5	YES	YES												

RoHS COMPLIANT

<b>ENTER DESCRIPTION</b> ELC.NCL.12007.0044. 2006/10/10 DRWNGSATTI/MARAD 2006/10/10 CHKD/SSUDHIR 2006/10/11 APPR/SSUDHIR 2006/10/16	<b>QUALITY SYMBOLS</b> 	<b>GENERAL TOLERANCES (UNLESS SPECIFIED)</b>		<b>DIMENSION STYLE</b> MM ONLY	<b>SCALE</b> ---	<b>DESIGN UNITS</b> METRIC	<b>THIRD ANGLE PROJECTION</b>		
		4 PLACES ±---± 3 PLACES ±---± 2 PLACES ±---± 1 PLACE ±---±	mm INCH ±---± ±---± ±---± ±---± ±---± ±---± ±---± ±---±	<b>DRAWN BY</b> SHANKAR	<b>DATE</b> 2006/04/25	<b>TITLE</b> ASSY DIN41612 C/2 FEMALE 32 POS 1.0MM PCB DIA A+C LOADED	<b>MOLEX INCORPORATED</b>		
		<b>ANGULAR</b> ±---°		<b>CHECKED BY</b> SSUDHIR	<b>DATE</b> 2006/04/25	<b>DOCUMENT NO.</b> SD-36501-0003			
		<b>DRAFT WHERE APPLICABLE MUST REMAIN WITHIN DIMENSIONS</b>		<b>APPROVED BY</b> SSUDHIR	<b>DATE</b> 2006/04/25	<b>MATERIAL NO.</b> SEE CHART	<b>SIZE</b> A 1	<b>THIS DRAWING CONTAINS INFORMATION THAT IS PROPRIETARY TO MOLEX INCORPORATED AND SHOULD NOT BE USED WITHOUT WRITTEN PERMISSION</b>	<b>SHEET NO.</b> 2 OF 2