

PLEASE CHECK WWW.MOLEX.COM FOR LATEST PART INFORMATION

Part Number: [0357500310](#)
Status: **Active**
Description: Ring Tongue Terminal for 24-28 AWG (0.08~0.20mm²), Stud Size 1-2 M1.7-2.2, Tin Plating

Documents:

[Drawing \(PDF\)](#) [RoHS Certificate of Compliance \(PDF\)](#)
[Product Specification PS-35750-0300 \(PDF\)](#)

Agency Certification

UL E134962

General

Product Family Ring and Spade Terminals
 Series [35750](#)
 Crimp Quality Equipment Yes
 Mil-Spec N/A
 Product Name N/A
 Type Ring

Physical

Barrel Type Open
 Insulation None
 Material - Plating Mating Tin
 Packaging Type Reel
 Plating min: Mating (µin) 40
 Plating min: Mating (µm) 1
 Plating min: Termination (µin) 40
 Plating min: Termination (µm) 1
 Stud Size 1-2 (M2)
 Temperature Range - Operating -40°C to +105°C
 Termination Interface: Style Crimp or Compression
 Wire Insulation Diameter 1.5mm (.059") max.
 Wire Size AWG 24, 26, 28
 Wire Size mm² 0.08 - 0.20

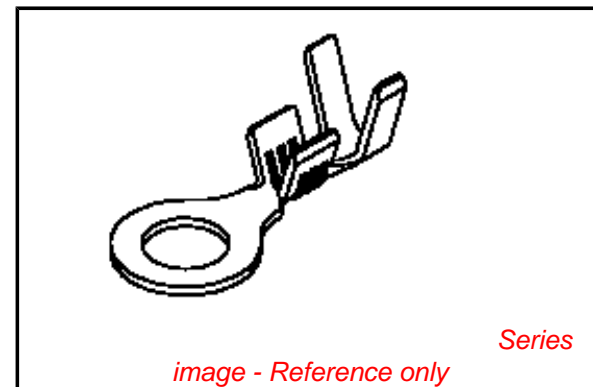
Electrical

Voltage - Maximum 300V AC

Material Info

Reference - Drawing Numbers

Product Specification PS-35750-0300
 Sales Drawing SD-35750-03*0



EU RoHS

ELV and RoHS Compliant
REACH SVHC Contains SVHC: No
Halogen-Free Status

China RoHS



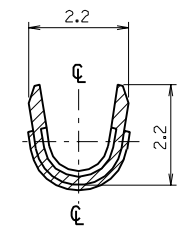
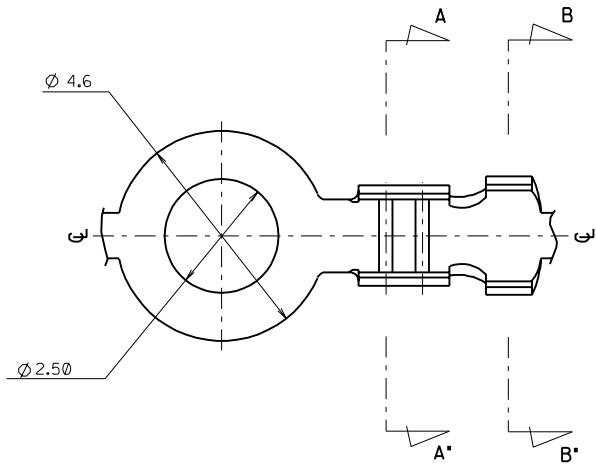
Need more information on product environmental compliance?

Email productcompliance@molex.com
 For a multiple part number RoHS Certificate of Compliance, [click here](#)

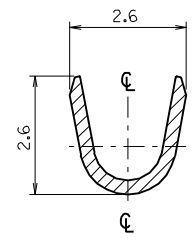
Please visit the [Contact Us](#) section for any non-product compliance questions.

Search Parts in this Series
[35750Series](#)

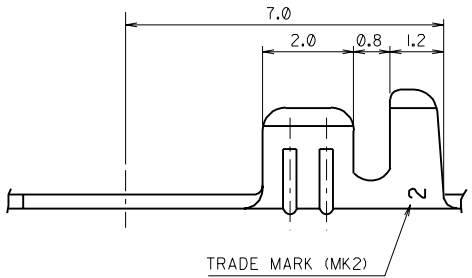
DO NOT SCALE DRAWING
 DIMENSION IN METRIC
 PROJECT NO.
 SIMILAR ITEM
 EDP NO.
 ENG. NO. SD 35750-03-0



SECTION: A-A*



SECTION: B-B*



NOTES

- MATERIAL: BRASS 0.3 THICKNESS
- FINISH: 35750-0300:NONE
 35750-0310:POST-TIN PLATING
 35723-0104:TIN LEAD PLATING
- RECOMMENDED LENGTH OF WIRE STRIP IS 2.9-3.6

LTR		REVISION RECORD	ECN	DR/CHK	DATE	DIE FEED	APPL FEED	WBDW	IBDW	APP'D BY	SCALE	CAD (10:1)	ENG.NO.	SD 35750-03-0	REV	C							
C	REVISED			YANG	92.4.30	---	---	---	---	W.Y.YANG	CHK'D BY	B.K.CHOI	TITLE: Ø 2.5 RING TERMINAL										
B	REVISED			YANG	91.12.3	---	---	---	---	---	---	---	REVISION RANGE										
A	CAD DRAWING RELEASED			YANG	91.11.1	---	---	---	---	---	---	---	GENERAL TOLERANCES DIM. ±0.3 ANGLE ±0.2										
ASS'Y PART												QTY/REEL OR PACK		SURFACE AREA		MATERIAL		WIRE RANGE		MOLEX MOLEX-KOREA CO.,LTD.			
DESCRIPTION						ENG.NO.		30,000 Q'TY /REEL		---		MM ²		SEE NOTE		AWG: #28-#24		INSULATION RANGE					
---						---		---		---		---		---		MM ² :		REVISE ONLY ON CAD SYSTEM					
---						---		---		---		---		---		---		TITLE: Ø 2.5 RING TERMINAL					
---						---		---		---		---		---		---		ENG.NO. SD 35750-03-0					