

**PLEASE CHECK WWW.MOLEX.COM FOR LATEST PART INFORMATION**

**Part Number:** **0352040193**  
**Status:** **Planned for Obsolescence**  
**Description:** 2.36mm (.093") Diameter Wire-to-Board Header, Vertical, with Positive Latch, 1 Circuit, Lead-free, Yellow

**Documents:**

[3D Model](#) [RoHS Certificate of Compliance \(PDF\)](#)  
[Drawing \(PDF\)](#)

**General**

Product Family PCB Headers  
 Series [35204](#)  
 Application Wire-to-Board  
 Product Name N/A

**Physical**

Breakaway No  
 Circuits (Loaded) 1  
 Circuits (maximum) 1  
 Durability (mating cycles max) 30  
 First Mate / Last Break No  
 Glow-Wire Compliant No  
 Guide to Mating Part No  
 Keying to Mating Part None  
 Lock to Mating Part Yes  
 Material - Plating Mating Tin  
 Material - Plating Termination Tin  
 Number of Rows 1  
 Orientation Vertical  
 PC Tail Length (in) 0.154 In  
 PC Tail Length (mm) 3.90 mm  
 PCB Locator No  
 PCB Retention Yes  
 PCB Thickness Recommended (in) 0.062 In  
 PCB Thickness Recommended (mm) 1.60 mm  
 Packaging Type Tube  
 Pitch - Mating Interface (in) 0.000 In  
 Pitch - Mating Interface (mm) 0.00 mm  
 Pitch - Term. Interface (in) 0.000 In  
 Pitch - Term. Interface (mm) 0.00 mm  
 Polarized to Mating Part Yes  
 Polarized to PCB No  
 Shrouded Fully  
 Stackable No  
 Surface Mount Compatible (SMC) No  
 Temperature Range - Operating -40°C to +105°C  
 Termination Interface: Style Through Hole

**Electrical**

Current - Maximum per Contact 7A  
 Voltage - Maximum 300V

**Material Info**

**Reference - Drawing Numbers**

Sales Drawing SD-35204-001

**EU RoHS**

**ELV and RoHS Compliant**  
**REACH SVHC**  
 Not Reviewed  
**Halogen-Free Status**

**Not Reviewed**

**China RoHS**



**Need more information on product environmental compliance?**

Email [productcompliance@molex.com](mailto:productcompliance@molex.com)  
 For a multiple part number RoHS Certificate of Compliance, [click here](#)

Please visit the [Contact Us](#) section for any non-product compliance questions.

**Search Parts in this Series**

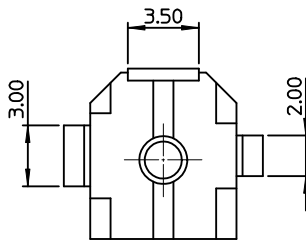
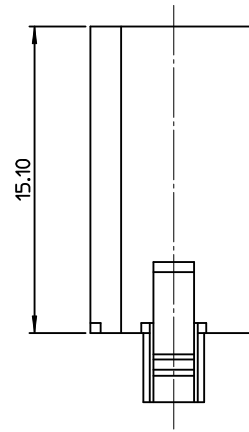
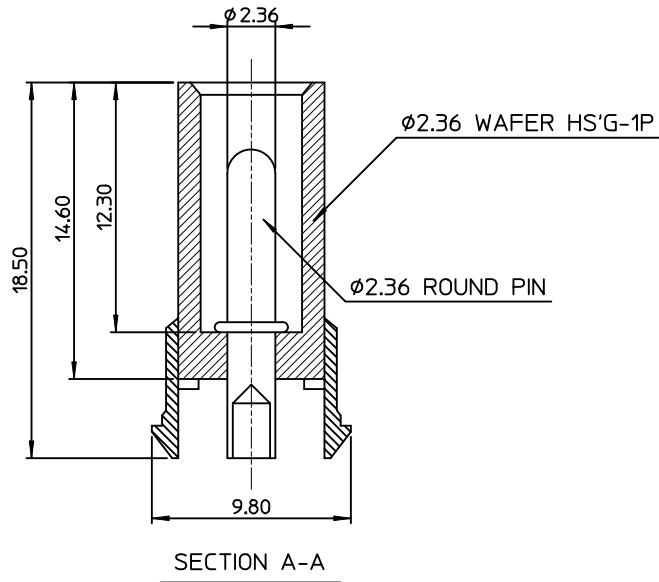
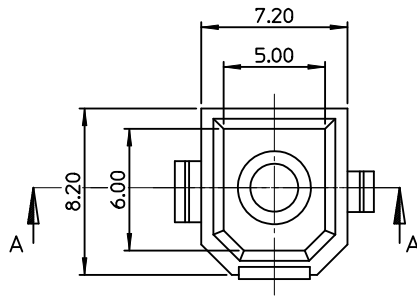
[35204Series](#)

**Mates With**

[35108 Wire-to-Board Housing](#)

This document was generated on 06/07/2010

**PLEASE CHECK [WWW.MOLEX.COM](http://WWW.MOLEX.COM) FOR LATEST PART INFORMATION**



NOTES.

1. MATERIAL & COLOR : SEE TABLE

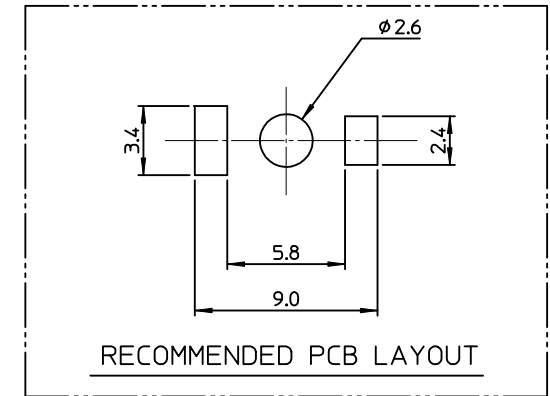
TABLE	ENG.NO.	COLOR
	35204-01*2	RED
	35204-01*3	YELLOW
	35204-01*4	BLUE
	35204-01*5	GREEN
35204-01*6	WHITE	

\* 4 : PA66 9 : PC/PET

2. MATES HOUSING : 35108-01\*\*

3. MATES PIN : 35601-1561

4. TYPICAL RECOMMENDED PCB MANUFACTURING TOLERANCE IS ±0.1



<b>REVISED</b> EC NO: KOR2010-0139 2010/03/19 DRW: HITSONG 2010/03/20 CHK: DWYANG 2010/03/22 APPR: YUNSIKIM	DESCRIPTION 2.36 DIA WAFER-1P	QUALITY SYMBOLS	GENERAL TOLERANCES (UNLESS SPECIFIED)	DIMENSION STYLE	SCALE	DESIGN UNITS	THIRD ANGLE PROJECTION																		
		$\nabla=0$ $\sphericalangle=0$	<table border="1"> <thead> <tr> <th></th> <th>mm</th> <th>INCH</th> </tr> </thead> <tbody> <tr> <td>4 PLACES</td> <td>± ---</td> <td>± ---</td> </tr> <tr> <td>3 PLACES</td> <td>± ---</td> <td>± ---</td> </tr> <tr> <td>2 PLACES</td> <td>± 0.30</td> <td>± ---</td> </tr> <tr> <td>1 PLACE</td> <td>± 0.30</td> <td>± ---</td> </tr> <tr> <td colspan="3">ANGULAR ± 3 °</td> </tr> </tbody> </table>		mm	INCH	4 PLACES	± ---	± ---	3 PLACES	± ---	± ---	2 PLACES	± 0.30	± ---	1 PLACE	± 0.30	± ---	ANGULAR ± 3 °			MM ONLY	4:1	METRIC	
			mm	INCH																					
		4 PLACES	± ---	± ---																					
		3 PLACES	± ---	± ---																					
2 PLACES	± 0.30	± ---																							
1 PLACE	± 0.30	± ---																							
ANGULAR ± 3 °																									
DRAWN BY WY. YANG DATE 1996/01/12	CHECKED BY BK. CHOI DATE 1996/01/12	TITLE 2.36 DIA WAFER-1P																							
APPROVED BY CW. LEE DATE 1996/01/12	MATERIAL NO. SEE NOTES	MOLEX INCORPORATED	SHEET NO. 1 OF 1																						
DRAFT WHERE APPLICABLE MUST REMAIN WITHIN DIMENSIONS		SIZE A3	DOCUMENT NO. SD-35204-001																						