

PLEASE CHECK WWW.MOLEX.COM FOR LATEST PART INFORMATION

Part Number: [0350329901](#)
Status: **Active**
Description: 7.92mm (.312") Tab Slip-on Wire-to-Wire, Terminal, Female, 10-12 AWG, Tin Plated

Documents:

[Drawing \(PDF\)](#)
[Product Specification PS-35030-001 \(PDF\)](#)
[Product Specification PS-35254-001 \(PDF\)](#)
[Product Specification PS-35827-001 \(PDF\)](#)
[RoHS Certificate of Compliance \(PDF\)](#)

General

Product Family	Crimp Terminals
Series	35032
Crimp Quality Equipment	Yes
Product Name	N/A

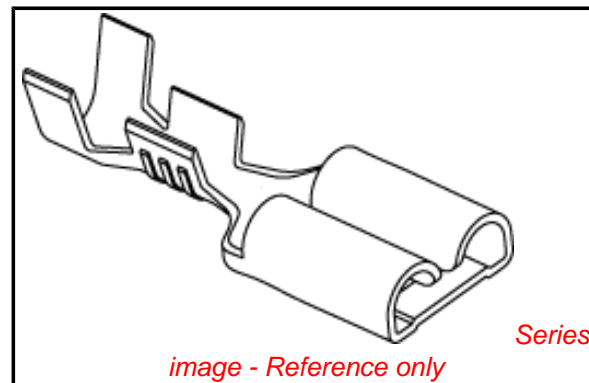
Physical

Durability (mating cycles max)	10
Gender	Female
Material - Metal	Brass
Material - Plating Mating	Tin
Packaging Type	Reel
Wire Insulation Diameter	4.20mm (.165") max.
Wire Size AWG	10, 12
Wire Size mm ²	3.31, 5.26

Material Info

Reference - Drawing Numbers

Product Specification	PS-35030-001, PS-35254-001, PS-35827-001
Sales Drawing	SD-35032-001



EU RoHS

**ELV and RoHS
Compliant**

REACH SVHC

Contains SVHC: No

Halogen-Free

Status

Halogen-Free

China RoHS



**Need more information on product
environmental compliance?**

Email productcompliance@molex.com
 For a multiple part number RoHS Certificate of
 Compliance, [click here](#)

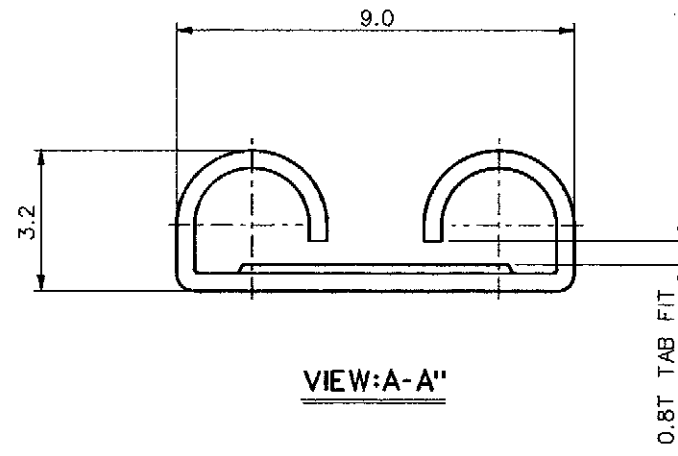
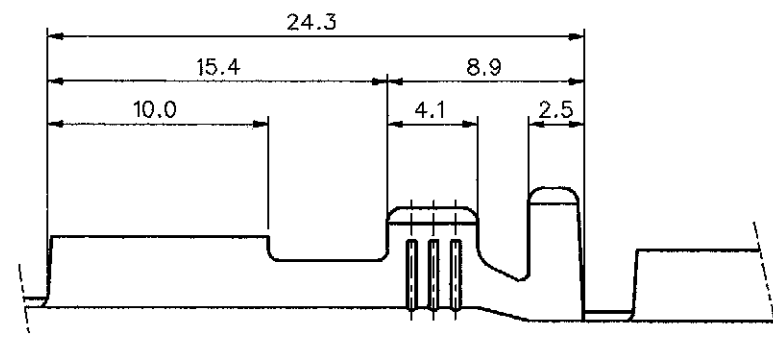
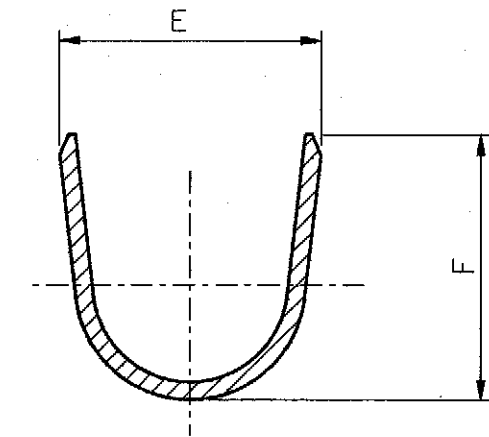
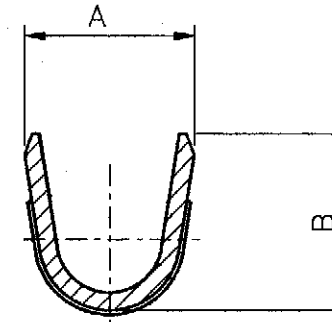
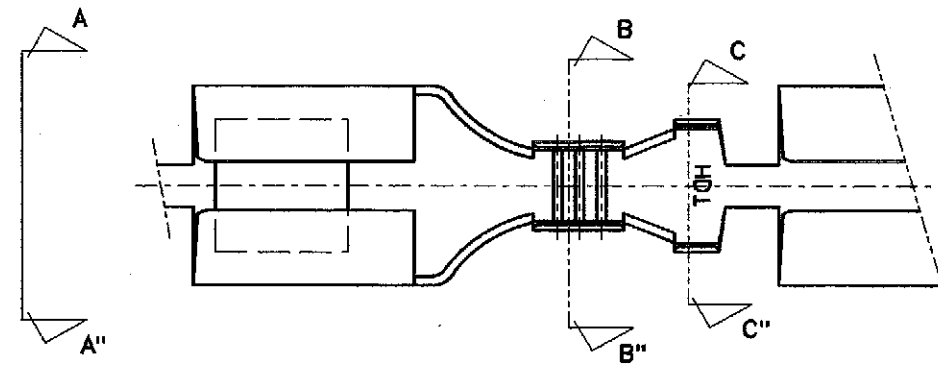
Please visit the [Contact Us](#) section for any
 non-product compliance questions.

Search Parts in this Series
[35032Series](#)

PROJECT NAME

DEMENSION IN METRIC

DO NOT SCALE DRAWING



SECTION: B-B''

SECTION: C-C''

PART.NO	A	B	E	F
35032-980*	3.6	3.7	5.3	5.1
35032-990*	4.9	6.2	8.5	8.5

NOTES

- MATERIAL: BRASS, THK': 0.4
- PLATING: POST-TIN PLATING
- WIRE SIZE: AWG#14-12: **35032-980*** * : 0.4_L plated
AWG#12-10: **35032-990***

					PACKAGING 2,000 Q'TY / REEL	TOLERANCES IN METRIC		IMPORTANCE CLASSIFICATION		MATERIAL		SHEET NO. 10F1	DATE 1992.3.12	
					WIRE RANGE	3 PLACE ±	▽ : CRITICAL	▽ : MAJOR	CODE : SEE NOTES		molex MX-HDT KOREA CO.,LTD			
					AWG.: SEE MM ² : TABLE	2 PLACE ±	□ : MINOR	() : REFERENCE	THK. : ±		REVISE ONLY ON CAD SYSTEM			
						1 PLACE ±0.30			WIDTH : ±		TITLE: .312 SLIP-ON RECEPTACLE			
B	Revised	92-012	YANG	92.9.29		TOLERANCES ANGULAR : 0.5°		DRAWN BY W.Y.YANG		CHK'D BY		EDP.NO.	ENG.NO. SD 35032-9***	REV.
A	NEW RELEASE		YANG	1992.3.12				APP'D BY		SCALE N/S				
LTR	REVISION RECORD	ECN NO.	NAME	DATE										

8

7

6

5

4

3

2

MOLEX KOREA CO.,LTD