

PLEASE CHECK WWW.MOLEX.COM FOR LATEST PART INFORMATION

Part Number: **0340620034**
Status: **Active**
Overview: mx150 sealed connector system
Description: 5.00mm (.197") Pitch MX150™ Sealed Female Receptacle, Single Row, 2 Circuits, Keying Option D with Clip Slot, Black

Documents:

[3D Model](#)
[Application Specification \(PDF\)](#)
[Drawing \(PDF\)](#)
[Product Specification PS-34062-000 \(PDF\)](#)
[RoHS Certificate of Compliance \(PDF\)](#)

General

Product Family	Crimp Housings
Series	34062
Comments	No Connector Position Assurance (CPA)
More Detailed Tech Information	http://ewcap.uscarteams.org
Overview	<u>mx150 sealed connector system</u>
Product Name	MX150™

Physical

Circuits (maximum)	2
Circuits Detail	2
Color - Resin	Black
Gender	Female
Glow-Wire Compliant	No
Keying to Mating Part	Yes
Lock to Mating Part	Yes
Material - Resin	Nylon
Number of Rows	2
Packaging Type	Bag
Panel Mount	No
Pitch - Mating Interface (in)	0.197 In
Pitch - Mating Interface (mm)	5.00 mm
Pitch - Term. Interface (in)	0.197 In
Pitch - Term. Interface (mm)	5.00 mm
Polarized to Mating Part	Yes
Stackable	No
Temperature Range - Operating	-40°C to +125°C

Electrical

Current - Maximum per Contact	22A
-------------------------------	-----

Material Info

Reference - Drawing Numbers

Application Specification	AS-34062-000
Packaging Specification	PK-30907-879
Product Specification	PS-34062-000
Sales Drawing	SD-34062-002



EU RoHS

ELV and RoHS Compliant
REACH SVHC
 Not Reviewed
Halogen-Free Status
 Not Reviewed

China RoHS



Need more information on product environmental compliance?

Email productcompliance@molex.com
 For a multiple part number RoHS Certificate of Compliance, [click here](#)

Please visit the [Contact Us](#) section for any non-product compliance questions.

Search Parts in this Series

[34062Series](#)

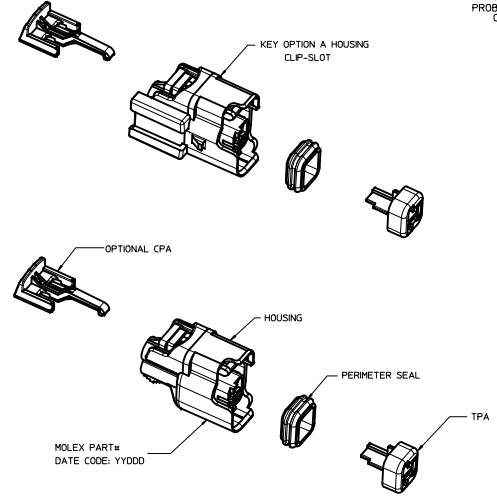
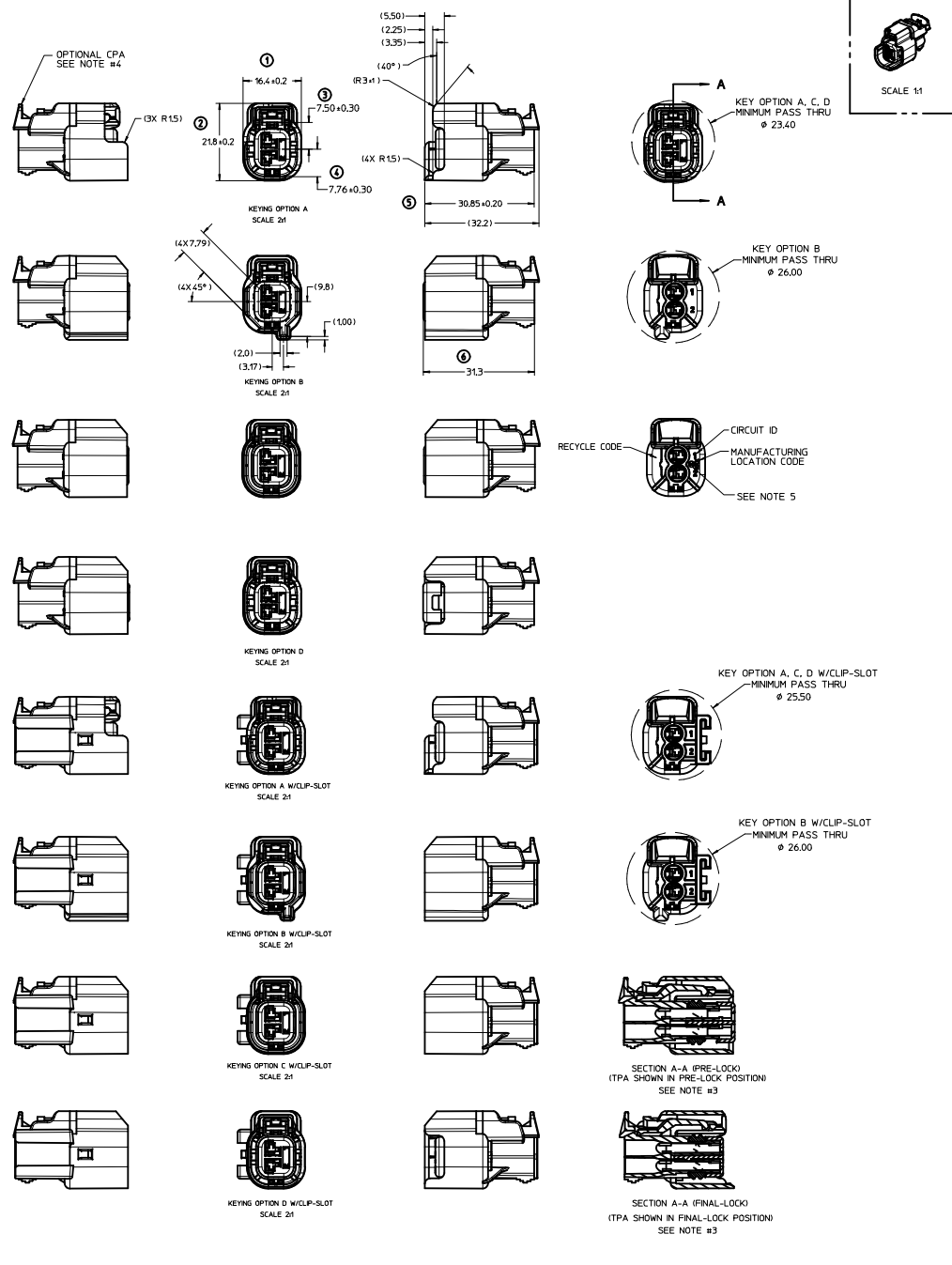
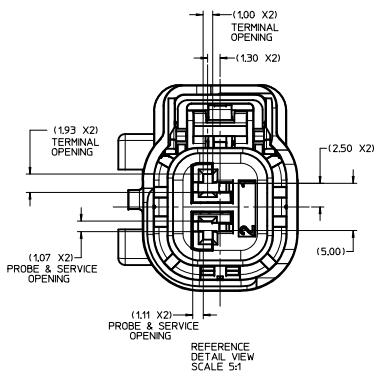
Mates With

[34675 MX150™ Cable-Sealed Male Connector](#)

Use With

[34083 Female Terminal](#)

ASSEMBLY PART NUMBER	COLOR	KEYING OPTION	CPA	CLIP-SLOT
34062-0021	BLACK	A	NO	NO
34062-0022	LT. GRAY	B	NO	NO
34062-0023	BLACK	C	NO	NO
34062-0024	BLACK	D	NO	NO
34062-0029	LT. GRAY	D	NO	NO
34062-0025	BLACK	A	YES	NO
34062-0026	LT. GRAY	B	YES	NO
34062-0027	BLACK	C	YES	NO
34062-0028	BLACK	D	YES	NO
34062-0030	LT. GRAY	D	YES	NO
34062-0031	BLACK	A	NO	YES
34062-0032	LT. GRAY	B	NO	YES
34062-0033	BLACK	C	NO	YES
34062-0034	BLACK	D	NO	YES
34062-0035	LT. GRAY	D	NO	YES
34062-0036	BLACK	A	YES	YES
34062-0037	LT. GRAY	B	YES	YES
34062-0038	BLACK	C	YES	YES
34062-0039	BLACK	D	YES	YES
34062-0040	LT. GRAY	D	YES	YES



- NOTES: UNLESS OTHERWISE SPECIFIED
- ASSEMBLY CONFORMS TO: SAE/USCAR-12, REV 2; SAE/USCAR-2 REV 4; EXCEPT TPA REMOVAL FROM FINAL LOCK - SECOND CYCLE SHALL NOT BE LESS THAN 12 NEWTONS. SAE/USCAR-20 DEC 2001
 - DESIGNED TO MATE WITH DEVICE CONNECTION AS SPECIFIED IN EWCAP DRAWING 150-S-002-1-Z01 REV A (9-18-2003).
 - ASSEMBLY SHIPPED WITH TPA IN PRE-LOCK POSITION (SEE SECTION A-A PRE-LOCK). UPON FULL TERMINAL ASSEMBLY, EACH TPA MUST BE SNAPPED INTO ITS FINAL-LOCK POSITION (SEE SECTION A-A FINAL-LOCK)
 - OPTIONAL CPA IN PRE-LOCK POSITION SHOWN IN ALL VIEWS.
 - KEYING OPTION AND ASSEMBLY MACHINE IDENTIFIER.
 - RECYCLE CODES FOR COMPONENTS
PERIMETER SEAL: SILICON 30 DUROMETER
HOUSING: DSM AKULON K-FHG6
TPA/CPA: PBT-GF30
 - SYSTEM TESTED USING ESB-M1123-A WIRE.
 - DISCOLORATION AT THE HOLDING KNOT LINES DOES NOT AFFECT PRODUCT PERFORMANCE.

QTY	DESCRIPTION	TERMINAL	PLATING	GRIP	OSR P/N	WIRE Ø RANGE	CABLE SEAL	COLOR	
22	0.50	34083-2003	RIGHT	TIN	22	E-1644-01	-	1.19-1.65	PINK
22	0.50	34083-3003	LEFT	TIN	22	E-1644-01	-	1.19-1.65	
22	0.50	34081-2005	RIGHT	GOLD	22	E-1644-01	-	1.19-1.65	
22	0.50	34081-3005	LEFT	GOLD	22	E-1644-01	-	1.19-1.65	
20	0.75	34083-2002	RIGHT	TIN	18/20	E-1644-00	-	1.60-2.10	GREEN
20	0.75	34083-3002	LEFT	TIN	18/20	E-1644-00	-	1.60-2.10	
20	0.75	34081-2004	RIGHT	GOLD	18/20	E-1644-00	-	1.60-2.10	
20	0.75	34081-3004	LEFT	GOLD	18/20	E-1644-00	-	1.60-2.10	
18	1.0	34083-3002	RIGHT	TIN	18/20	E-1644-00	-	1.60-2.10	GREEN
18	1.0	34083-2002	LEFT	TIN	18/20	E-1644-00	-	1.60-2.10	
18	1.0	34081-2004	RIGHT	GOLD	18/20	E-1644-00	-	1.60-2.10	
18	1.0	34081-3004	LEFT	GOLD	18/20	E-1644-00	-	1.60-2.10	
16	1.5	34083-2001	RIGHT	TIN	14/16	E-1644-02	-	2.10-2.50	YELLOW
16	1.5	34083-3001	LEFT	TIN	14/16	E-1644-02	-	2.10-2.50	
16	1.5	34081-2003	RIGHT	GOLD	14/16	E-1644-02	-	2.10-2.50	
16	1.5	34081-3003	LEFT	GOLD	14/16	E-1644-02	-	2.10-2.50	
14	1.5	34083-2001	RIGHT	TIN	14/16	-	7158-3033-40	2.54-2.69	GRAY
14	1.5	34083-3001	LEFT	TIN	14/16	-	7158-3033-40	2.54-2.69	
14	1.5	34081-2003	RIGHT	GOLD	14/16	-	7158-3033-40	2.54-2.69	
14	1.5	34081-3003	LEFT	GOLD	14/16	-	7158-3033-40	2.54-2.69	
AWG METRIC	MOLEX	PAYOFF	PLATING	GRIP	OSR P/N	YAZAKI P/N	WIRE Ø RANGE	COLOR	
WIRE SIZE	PART NUMBER	DIRECTION	TERMINAL	TERMINAL	CABLE SEAL				

INSPECTION NUMBER LOG
LAST NUMBER USED: 6
ADDED: 6
REMOVED:

ENTER DESCRIPTION EC NO: UAU0009-0706 IT: DRAWN BY THIS 2007/03/16 APPROVED BY THIS 2007/04/18 APPROX: WSHY	QUALITY SYMBOLS ▽=0 ▽=0	GENERAL TOLERANCES (UNLESS SPECIFIED) mm ± --- INCH ± --- ANGULAR ± 3°	DIMENSION STYLE MM ONLY	SCALE 2:1	DESIGN UNITS METRIC	THIRD ANGLE PROJECTION	
	DRAWN BY DHZHANG	DATE 2007/03/16	CHECKED BY DGRIFITHS	DATE 2007/04/18	TITLE CONNECTOR ASSEMBLY 2-WAY FUEL 15MM FEMALE FUEL INJECTOR CONNECTOR	APPROVED BY SMARCEAU	DATE 2007/04/18
	MATERIAL NO. SEE CHART	DOCUMENT NO. SD-34062-002	SHEET NO. 1 OF 1	SIZE E	THIS DRAWING CONTAINS INFORMATION THAT IS PROPRIETARY TO MOLEX INCORPORATED AND SHOULD NOT BE USED WITHOUT WRITTEN PERMISSION	MOLEX MOLEX INCORPORATED	
	DRAFT WHERE APPLICABLE MUST REMAIN WITHIN DIMENSIONS						