

**PLEASE CHECK WWW.MOLEX.COM FOR LATEST PART INFORMATION**

**Part Number:** [0250020603](#)  
**Status:** **Active**  
**Overview:** ribbon\_cable\_jumpers  
**Description:** 2.54mm (.100") Pitch Board-to-Board Ribbon Cable Jumper - 24 AWG, Stranded Topcoat, 6 Circuits, Strip and Retain, 0.076m (3.00") Length

**Documents:**

[Drawing \(PDF\)](#) [RoHS Certificate of Compliance \(PDF\)](#)

**General**

Product Family	Cable
Series	<a href="#">25002</a>
Crimp Quality Equipment	Yes
Geographic Area	Asia
Overview	<a href="#">ribbon_cable_jumpers</a>
Product Name	Ribbon

**Physical**

Cable Length	0.076m (3.00")
Circuits (Loaded)	6
Circuits (maximum)	6
Insulation	PVC
Packaging Type	Bag
Pitch - Term. Interface (in)	0.100 In
Pitch - Term. Interface (mm)	2.54 mm
Temperature Range - Operating	-20°C to +105°C
Wire Size AWG	24
Wire/Cable Type	(7x32) Stranded, Topcoat

**Electrical**

Current - Maximum per Contact	N/A
Voltage - Maximum	300V

**Material Info**

**Reference - Drawing Numbers**

Sales Drawing	SD-25002-001
---------------	--------------



**EU RoHS**

**ELV and RoHS  
Compliant**  
**REACH SVHC  
Not Reviewed**  
**Halogen-Free  
Status**

**China RoHS**



**Need more information on product  
environmental compliance?**

Email [productcompliance@molex.com](mailto:productcompliance@molex.com)  
 For a multiple part number RoHS Certificate of Compliance, [click here](#)

Please visit the [Contact Us](#) section for any non-product compliance questions.

**Search Parts in this Series**  
[25002Series](#)

**CABLE SPECIFICATIONS:**

**1.- STANDARD JUMPER SERIES #25002 (8997 CABLE, .125" S/R BOTH ENDS)**

**2.- PHYSICAL**

CONDUCTOR SPACING ----- .100" (2.54mm)  $\phi$  TO  $\phi$   
 WIRE GAUGE ----- 24 AWG (7/32), TOPCOAT  
 INSULATION ----- GRAY PVC  
 EDGE MARK COLOR ----- RED

**3.- AGENCY**

U.L. STYLE ----- 2651  
 TEMPERATURE RATING ----- -20 °C TO 105 °C  
 VOLTAGE RATING ----- 300V. MAX.  
 FLAMMABILITY RATING ----- VW-1

**4.- SPECIAL REQUIREMENT**

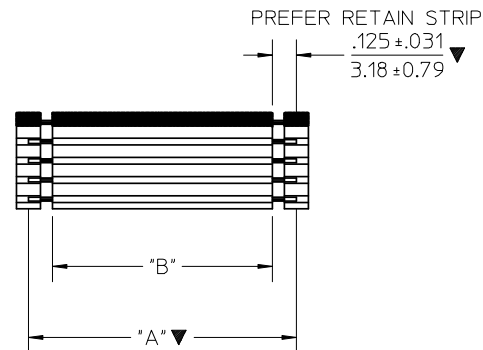
RoHS AND LEAD FREE COMPLIANT  
 NO TEXT MARKING ON PCB

**5.- GENERAL**

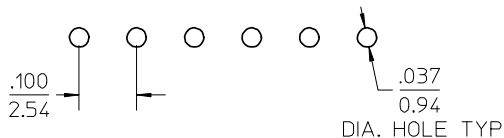
NON-OPERATING TEMPERATURE ----- -20°C TO 105°C

**6.- SOLDERING CONDITION**

SOLDER TEMPERATURE ----- 260°C. MAX.  $\triangle B_1$   
 SOLDERING TIME ----- 3 SECONDS. MAX.  
 INSULATION SHRINK ----- 2MM. NOM

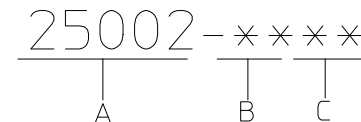


**PCB HOLE LAYOUT**  
 RECOMMENDED HOLE DIA. .037 In.



OVERALL LENGTH ("A")  
 TOLERANCE FOR OAL +/- .100"  
 INSULATION LENGTH ("B" REF.)  
 DIMS "A" & "B" REFERS TO  
 SHOWN IN MATRIX.

MATRIX FOR STANDARD JUMPERS SERIES # 25002 (8997 CABLE .125" S/R BOTH ENDS)								
LENGTH "A" (±.100")	1.250"	2.250"	3.250"	4.250"	5.250"	6.250"	7.250"	8.250"
LENGTH "B" CIRCUITS (REF)	1.000"	2.000"	3.000"	4.000"	5.000"	6.000"	7.000"	8.000"
2	25002-0201	25002-0202	25002-0203	25002-0204	25002-0205	25002-0206	25002-0207	25002-0208
3	25002-0301	25002-0302	25002-0303	25002-0304	25002-0305	25002-0306	25002-0307	25002-0308
4	25002-0401	25002-0402	25002-0403	25002-0404	25002-0405	25002-0406	25002-0407	25002-0408
5	25002-0501	25002-0502	25002-0503	25002-0504	25002-0505	25002-0506	25002-0507	25002-0508
6	25002-0601	25002-0602	25002-0603	25002-0604	25002-0605	25002-0606	25002-0607	25002-0608
7	25002-0701	25002-0702	25002-0703	25002-0704	25002-0705	25002-0706	25002-0707	25002-0708
8	25002-0801	25002-0802	25002-0803	25002-0804	25002-0805	25002-0806	25002-0807	25002-0808
9	25002-0901	25002-0902	25002-0903	25002-0904	25002-0905	25002-0906	25002-0907	25002-0908
10	25002-1001	25002-1002	25002-1003	25002-1004	25002-1005	25002-1006	25002-1007	25002-1008



A = STD. JUMPER I.D. No  
 B = CIRCUIT SIZE  
 2 THRU 10  
 C = DENOTES LENGTH  
 1.000" TO 8.000"

SEE CHANGE DETAIL EC NO: THL2008-0019 DRWN: CPANSAKHOM 2007/12/07 CHKD: NCHALERM 2007/12/11 APPR: SVIRATJAPOL 2007/12/20	QUALITY SYMBOLS $\nabla=3$ $\nabla=0$	GENERAL TOLERANCES (UNLESS SPECIFIED) mm INCH 4 PLACES ± --- ± --- 3 PLACES ± --- ± --- 2 PLACES ± --- ± --- 1 PLACE ± --- ± --- ANGULAR ± ---°	DIMENSION STYLE IN/MM DRAWN BY CPANSAKHOM DATE 2006/06/01 CHECKED BY PREECHAI DATE 2006/06/01 APPROVED BY SVIRATJAPOL DATE 2006/06/01	SCALE NTS DESIGN UNITS INCH THIRD ANGLE PROJECTION	TITLE STANDARD JUMPER .100" CTRS PVC INSULATED 24 AWG TOPCOATED MOLEX MOLEX INCORPORATED	DOCUMENT NO. SD-25002-001 SHEET NO. 1 OF 1			
							DRAFT WHERE APPLICABLE MUST REMAIN WITHIN DIMENSIONS	SEE CHART	THIS DRAWING CONTAINS INFORMATION THAT IS PROPRIETARY TO MOLEX INCORPORATED AND SHOULD NOT BE USED WITHOUT WRITTEN PERMISSION