

**PLEASE CHECK WWW.MOLEX.COM FOR LATEST PART INFORMATION**

**Part Number:** [0194320002](#)  
**Status:** **Active**  
**Overview:** [mx150l sealed connector system](#)  
**Description:** MX150L™ 4 Circuit Female Receptacle for 8 AWG Wire

**Documents:**

[3D Model](#) [Product Specification PS-19432-001 \(PDF\)](#)  
[Drawing \(PDF\)](#) [RoHS Certificate of Compliance \(PDF\)](#)

**Agency Certification**

CSA LR18689  
 UL E152602

**General**

Product Family Crimp Housings  
 Series [19432](#)  
 Comments Mat Seal Color is Red, Polarized to Mating Part  
 Overview [mx150l sealed connector system](#)  
 Product Literature Order No 987650-2181  
 Product Name MX150L™

**Physical**

Circuits (maximum) 4  
 Circuits Detail 2x2  
 Flammability 94V-0  
 Gender Female  
 Glow-Wire Compliant No  
 Keying to Mating Part N/A  
 Lock to Mating Part Yes  
 Number of Rows 2  
 Packaging Type Bag  
 Panel Mount No  
 Pitch - Mating Interface (in) 0.230 In  
 Pitch - Mating Interface (mm) 5.84 mm  
 Polarized to Mating Part Yes  
 Stackable No  
 Temperature Range - Operating -40°C to +125°C

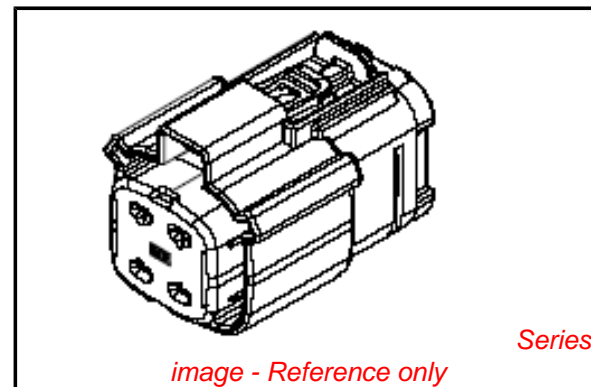
**Electrical**

Current - Maximum per Contact 18A

**Material Info**

**Reference - Drawing Numbers**

Packaging Specification PK-19432-001  
 Product Specification PS-19432-001  
 Sales Drawing SD-19432-002



**EU RoHS**

**ELV and RoHS Compliant**  
**REACH SVHC**  
 Not Reviewed  
**Halogen-Free Status**  
**Not Reviewed**

**China RoHS**



**Need more information on product environmental compliance?**

Email [productcompliance@molex.com](mailto:productcompliance@molex.com)  
 For a multiple part number RoHS Certificate of Compliance, [click here](#)

Please visit the [Contact Us](#) section for any non-product compliance questions.

**Search Parts in this Series**

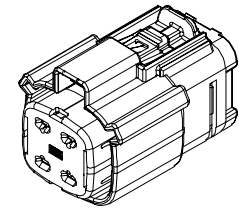
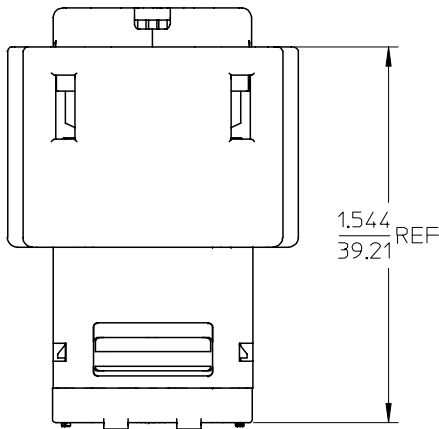
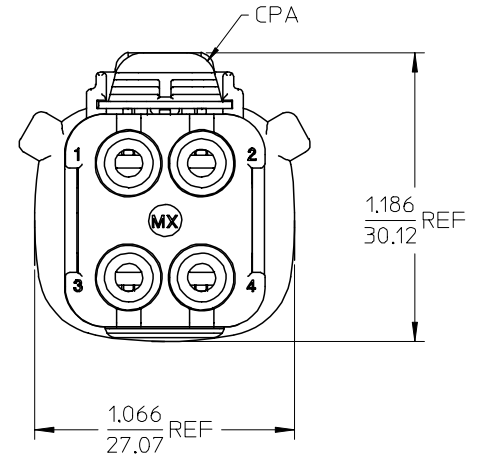
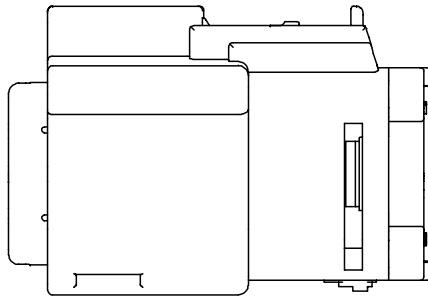
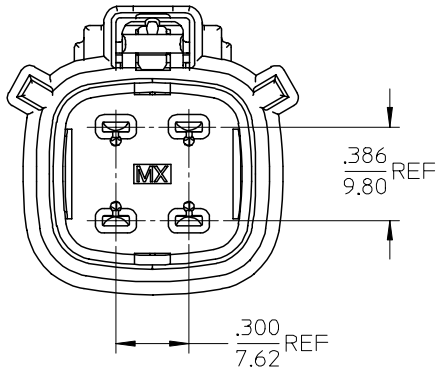
[19432Series](#)

**Mates With**

[19433-0002 Male Plug](#)

**Use With**

[19434 Female Terminals](#)



194320001	10-12	YES
194320002	8	
194320003	10-12	NO
194320004	8	
MATERIAL NUMBER	UL WIRE AWG	CPA

<b>PRODUCT RELEASE</b> EC NO: ETC2005-0069 DRWN:BRUPERT 2004/10/25 CHKD:JPWLICK 2004/10/25 APPR:RDEROSS 2004/10/25	QUALITY SYMBOLS ▽=0 ▽=0	GENERAL TOLERANCES (UNLESS SPECIFIED) <table border="1"> <tr> <td></td> <td>mm</td> <td>INCH</td> </tr> <tr> <td>4 PLACES</td> <td>± ---</td> <td>± ---</td> </tr> <tr> <td>3 PLACES</td> <td>± ---</td> <td>± .015</td> </tr> <tr> <td>2 PLACES</td> <td>± 0.38</td> <td>± ---</td> </tr> <tr> <td>1 PLACE</td> <td>± ---</td> <td>± ---</td> </tr> </table> ANGULAR ± 1 °		mm	INCH	4 PLACES	± ---	± ---	3 PLACES	± ---	± .015	2 PLACES	± 0.38	± ---	1 PLACE	± ---	± ---	DIMENSION STYLE IN/MM DRAWN BY: B.RUPERT DATE: 04/09/29 CHECKED BY: JPWLICK DATE: 04/09/29 APPROVED BY: R.DEROSS DATE: 04/09/29	SCALE 2:1 DESIGN UNITS INCH THIRD ANGLE PROJECTION	TITLE 4 WAY RECEPTACLE ASSEMBLY
		mm	INCH																	
	4 PLACES	± ---	± ---																	
	3 PLACES	± ---	± .015																	
2 PLACES	± 0.38	± ---																		
1 PLACE	± ---	± ---																		
DRAFT WHERE APPLICABLE MUST REMAIN WITHIN DIMENSIONS	MATERIAL NO. SEE CHART	DOCUMENT NO. SD-19432-002	SHEET NO. 1 OF 1																	
THIS DRAWING CONTAINS INFORMATION THAT IS PROPRIETARY TO MOLEX INCORPORATED AND SHOULD NOT BE USED WITHOUT WRITTEN PERMISSION																				

- NOTES:
1. ASSEMBLY PACKAGED PER PK-19432-001
  2. USE CONNECTOR WITH FEMALE CRIMP TERMINAL: SERIES 19434.