

PLEASE CHECK WWW.MOLEX.COM FOR LATEST PART INFORMATION

Part Number: [0192130010](#)
Status: **Active**
Overview: [wire_pins](#)
Description: Avikrimp™ Wire Pin Terminal for 22-18 AWG Wire, Mylar Tape Carrier

Documents:

[Drawing \(PDF\)](#) [RoHS Certificate of Compliance \(PDF\)](#)

Agency Certification

CSA LR18689
 UL E32244

General

Product Family Crimp Terminals
 Series [19213](#)
 Comments Pin Length 9.40mm (.370")
 Crimp Quality Equipment Yes
 Overview [wire_pins](#)
 Product Name Wire Pin

Physical

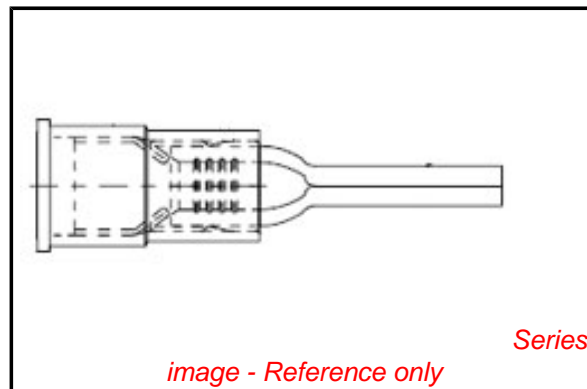
Flammability 94V-0
 Gender Male
 Material - Metal Copper
 Material - Plating Mating Tin
 Packaging Type Adhesive Tape on Reel
 Plating min: Mating (µin) 39
 Plating min: Mating (µm) 1.00
 Termination Interface: Style Crimp or Compression
 Wire Insulation Diameter 3.56mm (.140") max.
 Wire Size AWG 18, 19, 20, 22
 Wire Size mm² N/A

Material Info

Old Part Number WP-8218T

Reference - Drawing Numbers

Sales Drawing SD-19213-002



EU RoHS

ELV and RoHS Compliant
REACH SVHC
 Not Reviewed
Halogen-Free Status
Not Reviewed

China RoHS



Need more information on product environmental compliance?

Email productcompliance@molex.com
 For a multiple part number RoHS Certificate of Compliance, [click here](#)

Please visit the [Contact Us](#) section for any non-product compliance questions.

Search Parts in this Series

[19213Series](#)

Application Tooling | [FAQ](#)

Tooling specifications and manuals are found by selecting the products below. Crimp Height Specifications are then contained in the Application Tooling Specification document.

Global

Description	Product #
Crimp Dies for MTA-100 Tape Applicator used in 3BF Press, MTA-105 Tape Applicator used in TM-2000™ Press, and ATP-301 Air Crimping Press for Mylar Tape Mounted Terminals	0192880023
Mini-Mac™ Applicator	0638851300

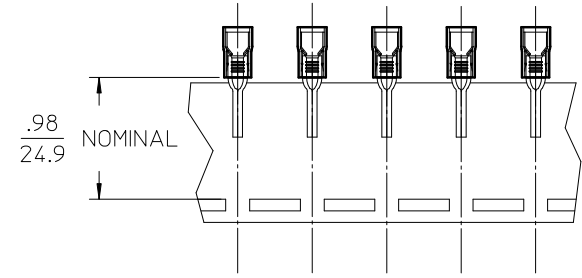
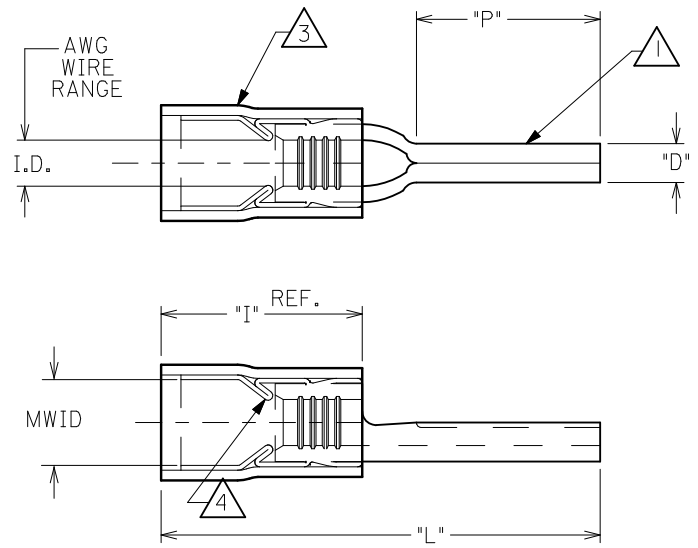
This document was generated on 05/19/2010

PLEASE CHECK WWW.MOLEX.COM FOR LATEST PART INFORMATION

10	9	8	7	6	5	4	3	2	1	
LOOSE PC MATERIAL NUMBER	ENGINEERING PART NO.	TAPE MNTD MATERIAL NUMBER	ENGINEERING PART NO.	AWG WIRE RANGE "I.D."	OVERALL LENGTH "L" MAX	PIN LENGTH "P" MIN	PIN DIAMETER "D" ±.01/0.3	MWID	INSULATION COLOR	LENGTH INSULATION "I" MAX
192130009	WP-82 I8	192130010	WP-82 I8 T	22-18	.91/23.1	.35/8.9	.078/1.98	.140/3.56	RED	.42/10.7
192130011	WP-86 I4	192130012	WP-86 I4 T	16-14	.92/23.4	.35/8.9	.078/1.98	.170/4.32	BLUE	.42/10.7
192130007	WP-82 I0	192130008	WP-82 I0 T	12-10	1.13/28.7	.41/10.4	.107/2.72	.225/5.72	YELLOW	.57/14.5

(A)

(A) (A) (A)



NOTES:

- 1. TERMINAL MATERIAL: COPPER
- 2. TERMINAL PLATING: TIN
- 3. INSULATION MAT'L: EXTRUDED NYLON
- 4. FUNNEL ENTRY FERRULE: TIN PLATED COPPER ALLOY
- 5. MWID=MAXIMUM WIRE INSULATION DIAMETER
- 6. PARTS ARE ROHS COMPLIANT

REDRAW, REV TOLS EC NO: WNA2009-0437 DRW:ETHRODAHL 2010/03/01 CHKD:JMACNEIL 1992/10/08 APPR:JMACNEIL 2010/03/18	DESCRIPTION A	QUALITY SYMBOLS	GENERAL TOLERANCES (UNLESS SPECIFIED)	DIMENSION STYLE	SCALE	DESIGN UNITS	THIRD ANGLE PROJECTION	
		▼=0 ∇=0	mm INCH	IN/MM	---	INCH	DRAWN BY DATE EMF 1992/10/08 CHECKED BY DATE JM 1992/10/08 APPROVED BY DATE JMACNEIL 2010/03/18	TITLE AVKRIMP WIRE PIN TERMINALS, 800 SERIES
		4 PLACES ±--- ±--- 3 PLACES ±--- ±--- 2 PLACES ±--- ±--- 1 PLACE ±--- ±---	ANGULAR ±---°	DRAWN BY DATE EMF 1992/10/08 CHECKED BY DATE JM 1992/10/08 APPROVED BY DATE JMACNEIL 2010/03/18	MATERIAL NO. SEE CHART	DOCUMENT NO. SD-19213-002	SHEET NO. 1 OF 1	
		DRAFT WHERE APPLICABLE MUST REMAIN WITHIN DIMENSIONS		THIS DRAWING CONTAINS INFORMATION THAT IS PROPRIETARY TO MOLEX INCORPORATED AND SHOULD NOT BE USED WITHOUT WRITTEN PERMISSION				