

**PLEASE CHECK WWW.MOLEX.COM FOR LATEST PART INFORMATION**

**Part Number:** [0190750011](#)  
**Status:** **Active**  
**Description:** InsulKrimp™ Steel Star Ring Tongue Terminal for 18-22 AWG Wire, Stud Size 10

**Documents:**

[Drawing \(PDF\)](#) [RoHS Certificate of Compliance \(PDF\)](#)

**Agency Certification**

CSA LR18689  
 UL E32244

**General**

Product Family Ring and Spade Terminals  
 Series [19075](#)  
 Crimp Quality Equipment Yes  
 Mil-Spec N/A  
 Product Name InsulKrimp™  
 Type Ring

**Physical**

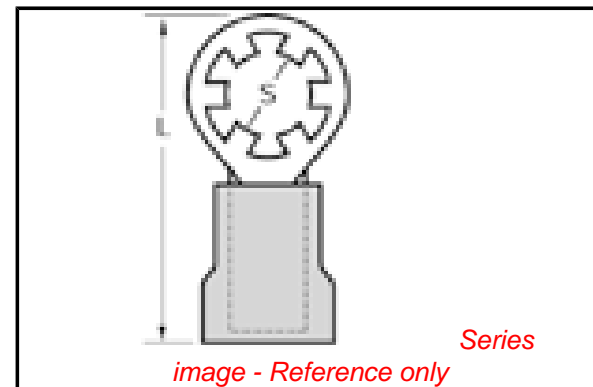
Barrel Type Closed  
 Flammability 94V-2  
 Insulation PVC  
 Material - Plating Mating Tin  
 Packaging Type Bag  
 Stud Size 10 (M5)  
 Wire Insulation Diameter 3.68mm (.145")  
 Wire Size AWG 18, 20, 22  
 Wire Size mm² 0.25 - 1.30

**Material Info**

Old Part Number SRA-S-229-10X

**Reference - Drawing Numbers**

Sales Drawing CD2115



*image - Reference only*

**EU RoHS**

**ELV and RoHS Compliant**  
**REACH SVHC**  
 Not Reviewed  
**Halogen-Free Status**  
 Not Reviewed

**China RoHS**



**Need more information on product environmental compliance?**

Email [productcompliance@molex.com](mailto:productcompliance@molex.com)  
 For a multiple part number RoHS Certificate of Compliance, [click here](#)

Please visit the [Contact Us](#) section for any non-product compliance questions.

**Search Parts in this Series**

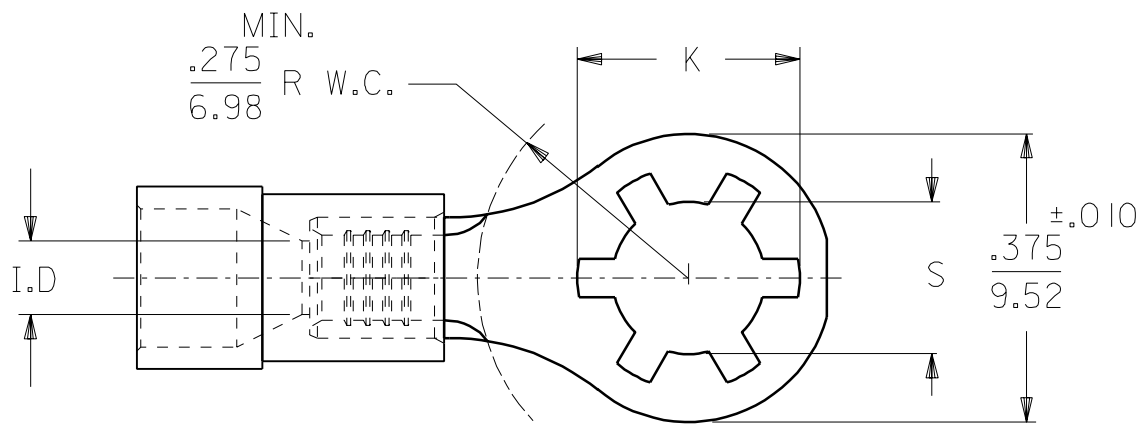
[19075Series](#)

**Application Tooling | [FAQ](#)**

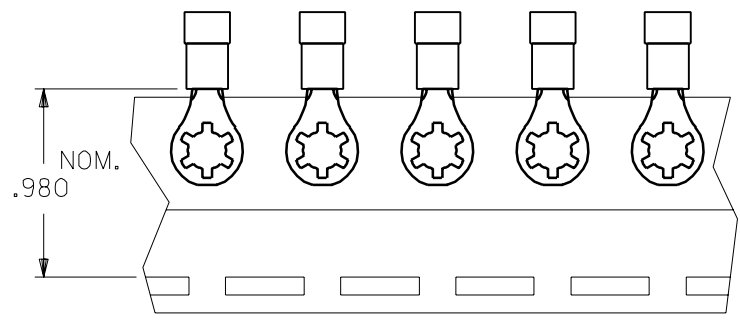
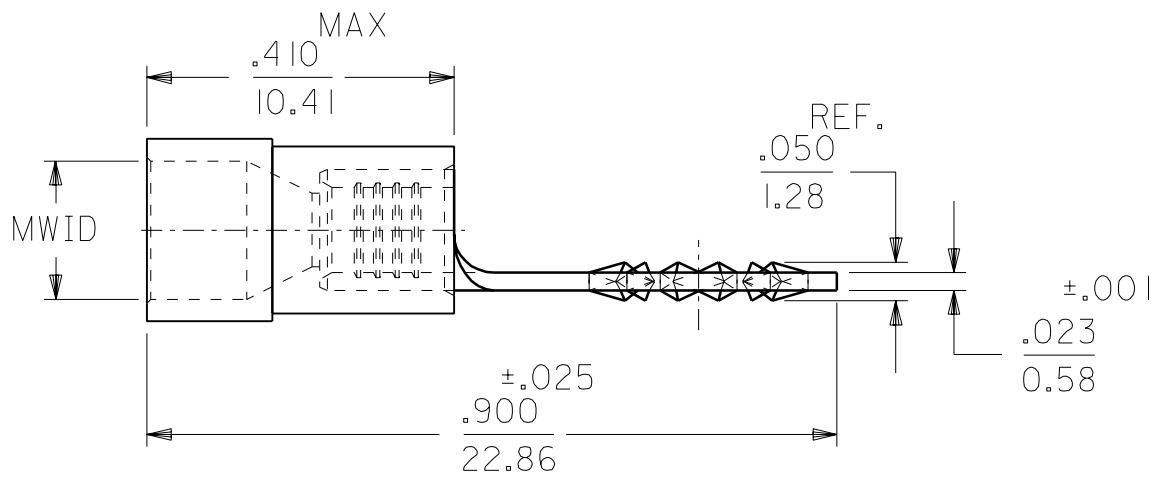
*Tooling specifications and manuals are found by selecting the products below. Crimp Height Specifications are then contained in the Application Tooling Specification document.*

**Global**

Description	Product #
Hand Crimp Tool	<a href="#">0640010500</a>
Crimp Head for the AT-200™ Pneumatic Hand Tool	<a href="#">0640050500</a>



STUD SIZE	±.007 "S" DIA.	REF. "K" DIA.
#6	.146	.236
#8	.173	.263
#10	.198	.288



TO ORDER PARTS ON TAPE ADD A "T" TO THE END OF THE PART NUMBER

INSULATION MATERIAL: PVC  
 INSULATION COLOR: SEE TABLE  
 TERMINAL MATERIAL: SEE CHART  
 TERMINAL PLATING: ELECTRO-TIN

MWID=MAXIMUM WIRE INSULATION DIAMETER

PART NO. BRASS	PART NO. STEEL	WIRE RANGE AWG / MM <sup>2</sup>	INSULATION COLOR	I.D. MIN.	MWID *
SRA-229-	SRA-S-229-	22-18/.25-1.3	RED	.062/1.57	.145/3.68
SRB-229-	SRB-S-229-	16-14/1.0-2.6	BLUE	.086/2.18	.175/4.42

A	SEE DCN# 764 10/07/91 RCM
LTR.	REVISIONS

REVISE ONLY ON CAD SYSTEM  
 TITLE  
 INSULKRIMP  
 STAR RING TONGUE  
 TERMINALS

**CUSTOMER  
 DRAWING**

DRWG. BY RCM	molex <b>ETC INC.</b> PINELLAS PARK, FLA. 34665 U.S.A.	SHEET NO.	DATE
CHK'D. BY JM			09/05/91
APP'D. BY FP	PART NO. SEE TABLE	DRWG. NO. CD-2115	
SCALE NO:NE	FILE NAME CD2115	THIS DRAWING CONTAINS INFORMATION THAT IS PROPRIETARY TO MOLEX-ETC INC. AND SHOULD NOT BE USED WITHOUT WRITTEN PERMISSION.	DIV. SIZE A