

**PLEASE CHECK WWW.MOLEX.COM FOR LATEST PART INFORMATION**

**Part Number:** [0190740011](#)  
**Status:** **Active**  
**Description:** Krimptite™ Steel Star Ring Tongue Terminal for 18-22 AWG Wire, Stud Size 8

**Documents:**

[Drawing \(PDF\)](#) [RoHS Certificate of Compliance \(PDF\)](#)

**Agency Certification**

CSA LR18689  
 UL E32244

**General**

Product Family Ring and Spade Terminals  
 Series [19074](#)  
 Crimp Quality Equipment Yes  
 Mil-Spec N/A  
 Product Name Krimptite™  
 Type Ring

**Physical**

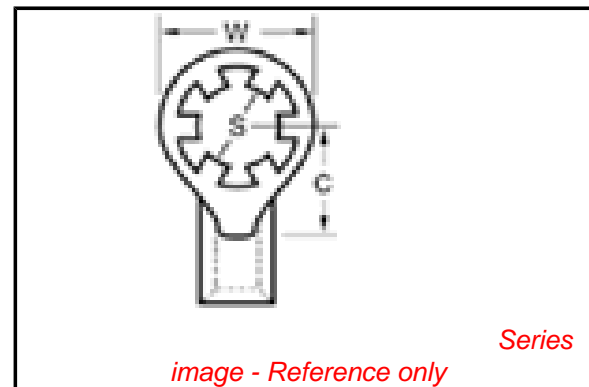
Barrel Type Closed  
 Insulation None  
 Material - Plating Mating Tin  
 Packaging Type Bag  
 Stud Size 8 (M4)  
 Wire Size AWG 18, 20, 22  
 Wire Size mm² 0.30 - 1.00

**Material Info**

Old Part Number SRA-S-129-08

**Reference - Drawing Numbers**

Sales Drawing CD1115



**EU RoHS**

**ELV and RoHS Compliant**  
**REACH SVHC Contains SVHC: No**  
**Halogen-Free Status**

**China RoHS**



**Need more information on product environmental compliance?**

Email [productcompliance@molex.com](mailto:productcompliance@molex.com)  
 For a multiple part number RoHS Certificate of Compliance, [click here](#)

Please visit the [Contact Us](#) section for any non-product compliance questions.

**Search Parts in this Series**

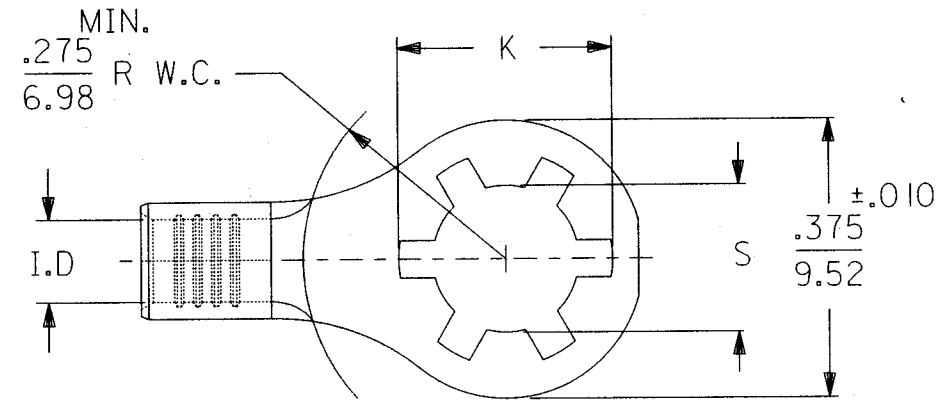
[19074Series](#)

**Application Tooling | [FAQ](#)**

*Tooling specifications and manuals are found by selecting the products below. Crimp Height Specifications are then contained in the Application Tooling Specification document.*

**Global**

Description	Product #
Hand Crimp Tool	<a href="#">0640031200</a>
Crimp Head for the AT-200™ Pneumatic Hand Tool	<a href="#">0640071200</a>



STUD SIZE	±.007 "S" DIA.	REF. "K" DIA.
#6	.146	.236
#8	.173	.263
#10	.198	.288

D

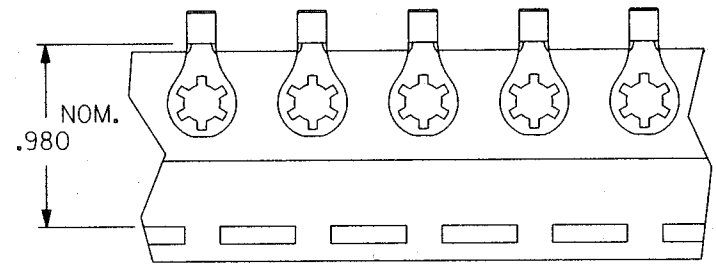
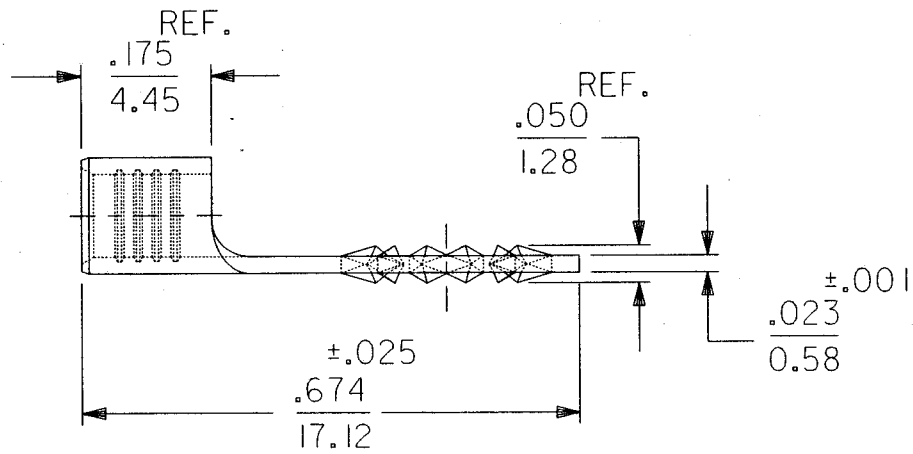
D

C

C

B

B



TO ORDER PARTS ON TAPE ADD A "T" TO THE END OF THE PART NUMBER

TERMINAL MATERIAL: SEE CHART  
TERMINAL PLATING: ELECTRO-TIN

PART NO. BRASS	PART NO. STEEL	WIRE RANGE AWG / MM <sup>2</sup>	I.D. MIN.
SRA-129-	SRA-S-129-	22-18/.25-1.3	.073/1.85 (B)
SRB-129-	SRB-S-129-	16-14/1.0-2.6	.100/2.54 (B)

B	ETC2005-1112 ID TYPO RWD 05/01/05
A	SEE DCN# 764 10/07/91 RCM
LTR.	REVISIONS

A

A

REVISE ONLY ON CAD SYSTEM

TITLE  
KRIMPTITE  
STAR RING TONGUE  
TERMINALS

SALES  
DRAWING

DRWG. BY	RCM
CHK'D. BY	JM
APP'D. BY	FP
SCALE	NO:NE

moLEX ETC INC.  
PINELLAS PARK, FLA. 34665 U.S.A.

PART NO. SEE TABLE

DRWG. NO. CD-1115

SHEET NO. DATE 09/05/91

FILE NAME CD1115 THIS DRAWING CONTAINS INFORMATION THAT IS PROPRIETARY TO MOLEX-ETC INC. AND SHOULD NOT BE USED WITHOUT WRITTEN PERMISSION. DIV. SIZE A