

PLEASE CHECK WWW.MOLEX.COM FOR LATEST PART INFORMATION

Part Number: **0190070064**
Status: **Active**
Description: InsulKrimp™ Female Fully Insulated Quick Disconnect Flag for 18-22 AWG Wire, Tab 6.35mm (.250") X .813mm (.032"), 94 V-0 Material

Documents:

[Drawing \(PDF\)](#) [RoHS Certificate of Compliance \(PDF\)](#)
[Product Specification PS-19902-008 \(PDF\)](#)

Agency Certification

UL E79133

General

Product Family Quick Disconnects
 Series 19007
 Crimp Quality Equipment Yes
 Product Name InsulKrimp™
 Type Quick Disconnect

Physical

Barrel Type Closed
 Color - Resin Natural
 Flammability 94V-0
 Gender Female
 Glow-Wire Compliant No
 Insulation Nylon (PA)
 Lock to Mating Part None
 Material - Metal Brass
 Material - Resin Nylon
 Orientation Flag
 Packaging Type Bag
 Polarized to Mating Part No
 Tab Thickness 0.81mm (.032")
 Tab Width 6.35mm (.250")
 Temperature Range - Operating -65°C to +105°C
 Wire Insulation Diameter 4.47mm (.176")
 Wire Size AWG 18, 20, 22
 Wire Size mm² 0.35 - 0.80

Electrical

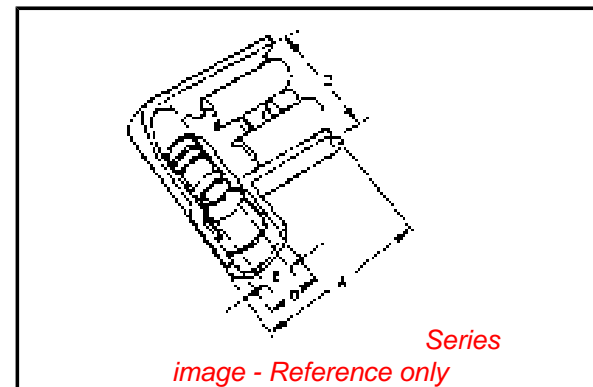
Voltage - Maximum 600V

Material Info

Old Part Number AA-2220V

Reference - Drawing Numbers

Product Specification PS-19902-008
 Sales Drawing SD-19007-004



EU RoHS

ELV and RoHS Compliant
REACH SVHC
 Not Reviewed
Halogen-Free Status
 Not Reviewed

China RoHS



Need more information on product environmental compliance?

Email productcompliance@molex.com
 For a multiple part number RoHS Certificate of Compliance, [click here](#)

Please visit the [Contact Us](#) section for any non-product compliance questions.

Search Parts in this Series

19007Series

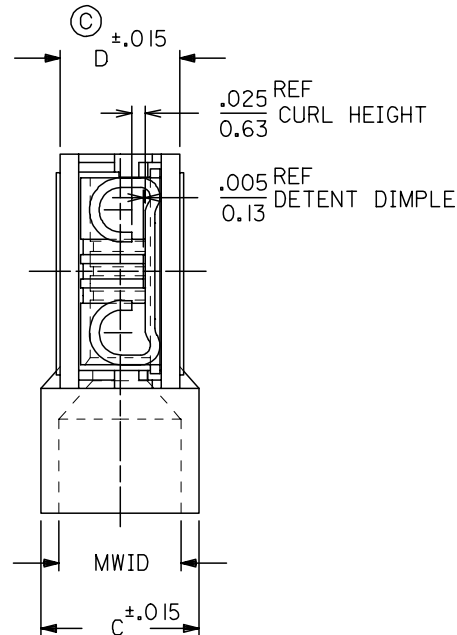
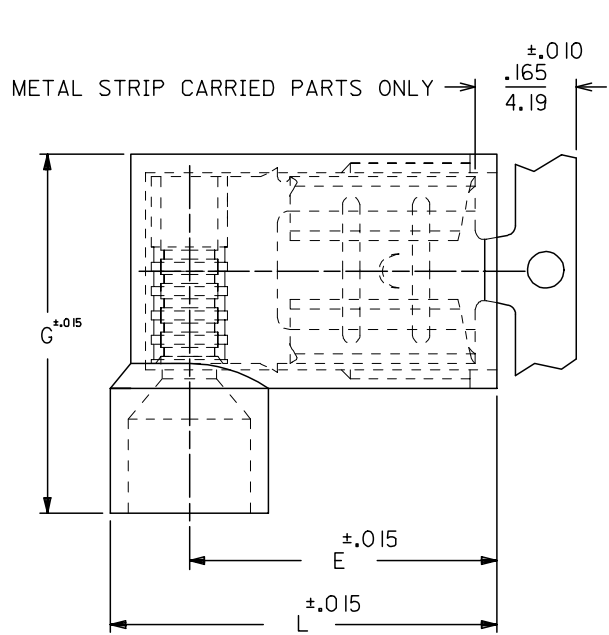
Application Tooling | FAQ

Tooling specifications and manuals are found by selecting the products below. Crimp Height Specifications are then contained in the Application Tooling Specification document.

Global

| Description | Product # |
|-----------------|------------|
| Hand Crimp Tool | 0640014100 |

| MATERIAL NUMBER | ENGINEERING NUMBER | CARRIER STYLE | AWG | COLOR | MWID | L | G | E | C | D (C) |
|-----------------|--------------------|---------------|-------|--------|-----------|------------|------------|------------|-----------|-----------|
| 190070001 | AA-2220 | LOOSE | 22-18 | RED | .176/4.47 | .630/16.00 | .585/14.86 | .512/13.00 | .236/5.99 | .197/5.00 |
| 190070005 | AA-2220X | LOOSE | 22-18 | RED | .240/6.10 | .662/16.81 | .625/15.88 | .512/13.00 | .300/7.26 | .197/5.00 |
| 190070021 | BB-2221 | LOOSE | 16-14 | BLUE | .200/5.08 | .630/16.00 | .585/14.86 | .500/12.70 | .260/6.60 | .197/5.00 |
| 190070025 | BB-2221X | LOOSE | 16-14 | BLUE | .265/6.73 | .670/17.02 | .625/15.88 | .500/12.70 | .325/8.26 | .197/5.00 |
| 190070040 | C-2211 | LOOSE | 12-10 | YELLOW | .260/6.60 | .667/16.93 | .677/17.20 | .511/12.98 | .311/7.90 | .246/6.25 |
| 190070008 | AA-2220Z | METAL STRIP | 22-18 | RED | .176/4.47 | .630/16.00 | .585/14.86 | .512/13.00 | .236/5.99 | .197/5.00 |
| 190070007 | AA-2220XZ | METAL STRIP | 22-18 | RED | .240/6.10 | .662/16.81 | .625/15.88 | .512/13.00 | .300/7.26 | .197/5.00 |
| 190070028 | BB-2221Z | METAL STRIP | 16-14 | BLUE | .200/5.08 | .630/16.00 | .585/14.86 | .500/12.70 | .260/6.60 | .197/5.00 |
| 190070027 | BB-2221XZ | METAL STRIP | 16-14 | BLUE | .265/6.73 | .670/17.02 | .625/15.88 | .500/12.70 | .325/8.26 | .197/5.00 |
| 190070041 | C-2211Z | METAL STRIP | 12-10 | YELLOW | .260/6.60 | .667/16.93 | .677/17.20 | .511/12.98 | .311/7.90 | .246/6.25 |



- NOTES:
1. MWID = MAX. WIRE INSULATION DIA.
 2. ALL DIMENSIONS = INCHES/MM
 3. MATERIAL:
HOUSING: NYLON
TERMINAL: TIN PLATED BRASS
 4. ASSEMBLY IS ROHS COMPLIANT.

| REDWN W/DIM. D ADDED EC NO: ETC2007-0229 DRW: NEHLE 2006/12/15 CHKD: JMACNEIL 2006/12/15 APPR: JMACNEIL 2006/12/15 | QUALITY SYMBOLS | GENERAL TOLERANCES (UNLESS SPECIFIED) | DIMENSION STYLE | SCALE | DESIGN UNITS | THIRD ANGLE PROJECTION | | | | | | | | | | | | | | | |
|--|---|--|-----------------|-------|--------------|------------------------|------------|-------|---|-------|------------|-------------|--------|-------|---------|------------|-------|----------------------------------|------------------------------|---------------------|--|
| | $\nabla=0$ $\nabla=0$ | <table border="1"> <thead> <tr> <th></th> <th>mm</th> <th>INCH</th> </tr> </thead> <tbody> <tr> <td>4 PLACES</td> <td>± ---</td> <td>± ---</td> </tr> <tr> <td>3 PLACES</td> <td>± ---</td> <td>± .005</td> </tr> <tr> <td>2 PLACES</td> <td>± 0.13</td> <td>± .01</td> </tr> <tr> <td>1 PLACE</td> <td>± 0.25</td> <td>± ---</td> </tr> </tbody> </table> | | mm | INCH | 4 PLACES | ± --- | ± --- | 3 PLACES | ± --- | ± .005 | 2 PLACES | ± 0.13 | ± .01 | 1 PLACE | ± 0.25 | ± --- | IN/MM | 5:1 | INCH | |
| | | mm | INCH | | | | | | | | | | | | | | | | | | |
| | 4 PLACES | ± --- | ± --- | | | | | | | | | | | | | | | | | | |
| 3 PLACES | ± --- | ± .005 | | | | | | | | | | | | | | | | | | | |
| 2 PLACES | ± 0.13 | ± .01 | | | | | | | | | | | | | | | | | | | |
| 1 PLACE | ± 0.25 | ± --- | | | | | | | | | | | | | | | | | | | |
| DRAFT WHERE APPLICABLE MUST REMAIN WITHIN DIMENSIONS | <table border="1"> <tr> <td>DRAWN BY</td> <td>DATE</td> <td rowspan="2">TITLE</td> </tr> <tr> <td>RCM</td> <td>1989/07/26</td> </tr> <tr> <td>CHECKED BY</td> <td>DATE</td> <td rowspan="2"> MOLEX MOLEX INCORPORATED FLAG QUICK DISCONNECT, FULLY INSULATED, .250 X .032 TAB SIZE </td> </tr> <tr> <td>JM</td> <td>1989/07/26</td> </tr> <tr> <td>APPROVED BY</td> <td>DATE</td> <td></td> </tr> <tr> <td>FP</td> <td>1989/07/26</td> <td></td> </tr> </table> | DRAWN BY | DATE | TITLE | RCM | 1989/07/26 | CHECKED BY | DATE | MOLEX MOLEX INCORPORATED FLAG QUICK DISCONNECT, FULLY INSULATED, .250 X .032 TAB SIZE | JM | 1989/07/26 | APPROVED BY | DATE | | FP | 1989/07/26 | | MATERIAL NO. SEE CHART | DOCUMENT NO. SD-19007-004 | SHEET NO. 1 OF 1 | |
| DRAWN BY | DATE | TITLE | | | | | | | | | | | | | | | | | | | |
| RCM | 1989/07/26 | | | | | | | | | | | | | | | | | | | | |
| CHECKED BY | DATE | MOLEX MOLEX INCORPORATED FLAG QUICK DISCONNECT, FULLY INSULATED, .250 X .032 TAB SIZE | | | | | | | | | | | | | | | | | | | |
| JM | 1989/07/26 | | | | | | | | | | | | | | | | | | | | |
| APPROVED BY | DATE | | | | | | | | | | | | | | | | | | | | |
| FP | 1989/07/26 | | | | | | | | | | | | | | | | | | | | |
| SIZE B | THIS DRAWING CONTAINS INFORMATION THAT IS PROPRIETARY TO MOLEX INCORPORATED AND SHOULD NOT BE USED WITHOUT WRITTEN PERMISSION | | | | | | | | | | | | | | | | | | | | |