

PLEASE CHECK WWW.MOLEX.COM FOR LATEST PART INFORMATION

Part Number: [0016060002](#)
Status: **Active**
Overview: [standard_093](#)
Description: 2.36mm (.093") Diameter, Standard .093" Pin and Male PC Board Terminal for Series 3099 Header Housing, Tin(Sn) Plated, Bag Packaged

Documents:

[Drawing \(PDF\)](#) [RoHS Certificate of Compliance \(PDF\)](#)

General

Product Family	Crimp Terminals
Series	1840
Crimp Quality Equipment	Yes
Overview	standard_093
Product Name	Standard .093"

Physical

Durability (mating cycles max)	25
Gender	Male
Material - Metal	Brass
Material - Plating Mating	Tin
Material - Plating Termination	Tin
Packaging Type	Bag
Plating min: Mating (µin)	200
Plating min: Mating (µm)	5.00
Plating min: Termination (µin)	200
Plating min: Termination (µm)	5.08
Wire Insulation Diameter	N/A
Wire Size AWG	N/A
Wire Size mm ²	N/A

Electrical

Current - Maximum per Contact	5A
Voltage - Maximum	250V

Material Info

Old Part Number	1840A2B
-----------------	---------

Reference - Drawing Numbers

Sales Drawing	SD-1840-*
---------------	-----------



image - Reference only *Series*

EU RoHS

ELV and RoHS Compliant
REACH SVHC
Contains SVHC: No
Halogen-Free Status
Halogen-Free

China RoHS



Need more information on product environmental compliance?

Email productcompliance@molex.com
 For a multiple part number RoHS Certificate of Compliance, [click here](#)

Please visit the [Contact Us](#) section for any non-product compliance questions.

Search Parts in this Series

[1840Series](#)

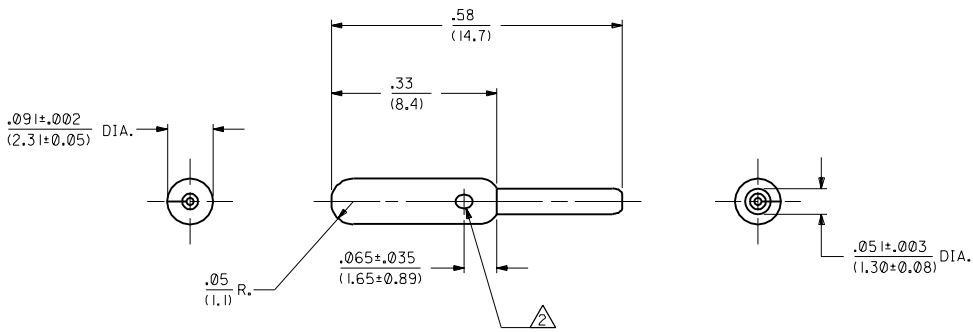
Mates With

[1189](#) , [1381](#) , [2871](#) , [1433](#)

Use With

[50-29-1031](#) , [50-29-1061](#) , [50-29-1041](#) ,
[50-29-1409](#) , [50-29-1415](#) , [50-29-1412](#)

PLEASE CHECK WWW.MOLEX.COM FOR LATEST PART INFORMATION



B1	REVISE PER UCR 1998-0114 WANG 98-03-31			
B	REVISE PER ECR US 0593 C/C 94/12/16 RW			
2	B1	A	REV'D. AND REDRAWN ECR U1 2301 C/C 1/3/92 RW	
1	BJ			
MFG.	SH.	REV.	LTR.	REVISIONS

REVISIONS

DIMENSIONS SHOWN (METRIC) INCH

UNLESS OTHERWISE SPECIFIED
TOLERANCES: ANGULAR ± 1/2°

	INCH	METRIC
3 PLACE	± .010	---
2 PLACE	± .014	± 0.25
1 PLACE	---	± 0.36

DRAFT WHERE APPLICABLE MUST
REMAIN WITHIN DIMENSIONS

DRWC.	C/C	ENCL'D.	RW
BY		BY	
APP'D.	RS	SCALE	6: 1
BY			

▽ = 0 ▽ = 0

TITLE: TERMINAL, PIN
P.C. TAIL, FOR .093
SERIES HEADERS

MOLEX INCORPORATED
LITTLE ROCK, ARK. 72616 U.S.A.

PART NO. 68592

DRWG. NO. SD-1840-*

SEE CHART

DATE: 1/3/92

SHEET NO. 1 of 2

THIS DRAWING CONTAINS INFORMATION THAT IS PROPRIETARY TO MOLEX INC. AND SHOULD NOT BE USED WITHOUT WRITTEN PERMISSION.

DIV.	CP	SIZE	B
------	----	------	---

PART NO.	ENG. NO.	MATERIAL	TYPE	FINISH
16-06-0052	1840-A2A	A	2	A
16-06-0002	1840-A2B	A	2	B

LEGEND


1840- A 2 *

MATERIAL
A- BRASS, ALLOY C26000

TYPE
2- PIN

FINISH
A- UNPLATED
B- ELECTRO TIN PLATED,
.000200/(0.00508) MIN. TIN OVER
.000100/(0.00254) COPPER.
(PER ES-88-102)

NOTES:

- 1. THESE TERMINALS ARE USED FOR BOTH THE 1840 AND 3099 ASSEMBLIES.
-  A DRAIN HOLE, OVAL IN APPEARANCE, OPPOSITE THE SEAM SIDE, IS ALLOWED.

DIMENSIONS SHOWN (METRIC) INCH	
UNLESS OTHERWISE SPECIFIED TOLERANCES: ANGULAR = 1/32"	
INCH	METRIC
3 PLACE ± ---	---
2 PLACE ± ---	± ---
1 PLACE ---	± ---

DRAFT WHERE APPLICABLE MUST REMAIN WITHIN DIMENSIONS

DRWG. BY	RS	CHK'D. BY	RW
APP'D. BY	RS	SCALE	N: A

▽ = 0 ▼ = 0 **REVISE ONLY ON CAD SYSTEM**

TITLE: **TERMINAL, PIN P.C. TAIL, FOR .093 SERIES HEADERS**

MOLEX INCORPORATED U.S.A. SHEET NO. 2 DATE 12/16/91

FILE NAME: SD.B40X2.DGN

SEE CHART DRWG. NO. **SD-1840--**

THIS DRAWING CONTAINS INFORMATION THAT IS PROPRIETARY TO MOLEX INC. AND SHOULD NOT BE USED WITHOUT WRITTEN PERMISSION.

DIV: CP SIZE: B

