

PLEASE CHECK WWW.MOLEX.COM FOR LATEST PART INFORMATION

Part Number: [0010844020](#)
Status: **Active**
Overview: [mlx](#)
Description: 6.35mm (.250) Pitch MLX™ Power Connector Header, Vertical, 2 Circuits, PA Polyamide Nylon 6/6 94V-2, Tin (Sn) Plating, White

Documents:

| | |
|---|--|
| 3D Model | Product Specification PSX-42002-0001 (PDF) |
| Drawing (PDF) | Product Specification PSX-42002-0002 (PDF) |
| Product Specification PS-42022-0001 (PDF) | RoHS Certificate of Compliance (PDF) |

Agency Certification

| | |
|-----|---------|
| CSA | LR19980 |
| UL | E29179 |

General

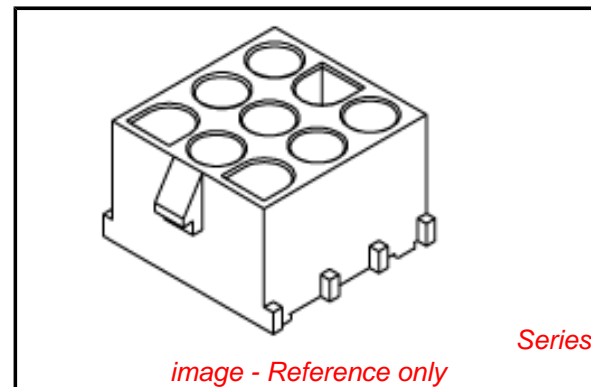
| | |
|----------------|-----------------------|
| Product Family | PCB Headers |
| Series | 42002 |
| Application | Wire-to-Board |
| Comments | Solder Type |
| Overview | mlx |
| Product Name | MLX™ |

Physical

| | |
|--------------------------------|-----------------|
| Breakaway | No |
| Circuits (Loaded) | 2 |
| Circuits (maximum) | 2 |
| Color - Resin | Natural |
| Durability (mating cycles max) | 50 |
| First Mate / Last Break | No |
| Flammability | 94V-2 |
| Glow-Wire Compliant | No |
| Guide to Mating Part | Yes |
| Keying to Mating Part | Yes |
| Lock to Mating Part | Yes |
| Material - Metal | Phosphor Bronze |
| Material - Plating Mating | Tin |
| Material - Resin | Nylon |
| Number of Rows | 1 |
| Orientation | Vertical |
| PC Tail Length (in) | 0.168 In |
| PC Tail Length (mm) | 4.27 mm |
| PCB Retention | Yes |
| PCB Thickness Recommended (in) | 0.125 In |
| PCB Thickness Recommended (mm) | 1.60 mm |
| Packaging Type | Bag |
| Pitch - Mating Interface (in) | 0.250 In |
| Pitch - Mating Interface (mm) | 6.35 mm |
| Polarized to PCB | Yes |
| Shrouded | Fully |
| Surface Mount Compatible (SMC) | No |
| Temperature Range - Operating | -55°C to +105°C |
| Termination Interface: Style | Through Hole |

Electrical

| | |
|-------------------------------|-------|
| Current - Maximum per Contact | 13.5A |
|-------------------------------|-------|



EU RoHS

ELV and RoHS Compliant
REACH SVHC
 Not Reviewed
Halogen-Free Status

China RoHS



Halogen-Free
Need more information on product environmental compliance?

Email productcompliance@molex.com
 For a multiple part number RoHS Certificate of Compliance, [click here](#)

Please visit the [Contact Us](#) section for any non-product compliance questions.

Search Parts in this Series

[42002Series](#)

Mates With

[42021 Plug](#)

Solder Process Data

| | |
|--|------------------------|
| Duration at Max. Process Temperature (seconds) | 10 |
| Lead-free Process Capability | Wave Capable (TH only) |
| Process Temperature max. C | 260 |

Material Info

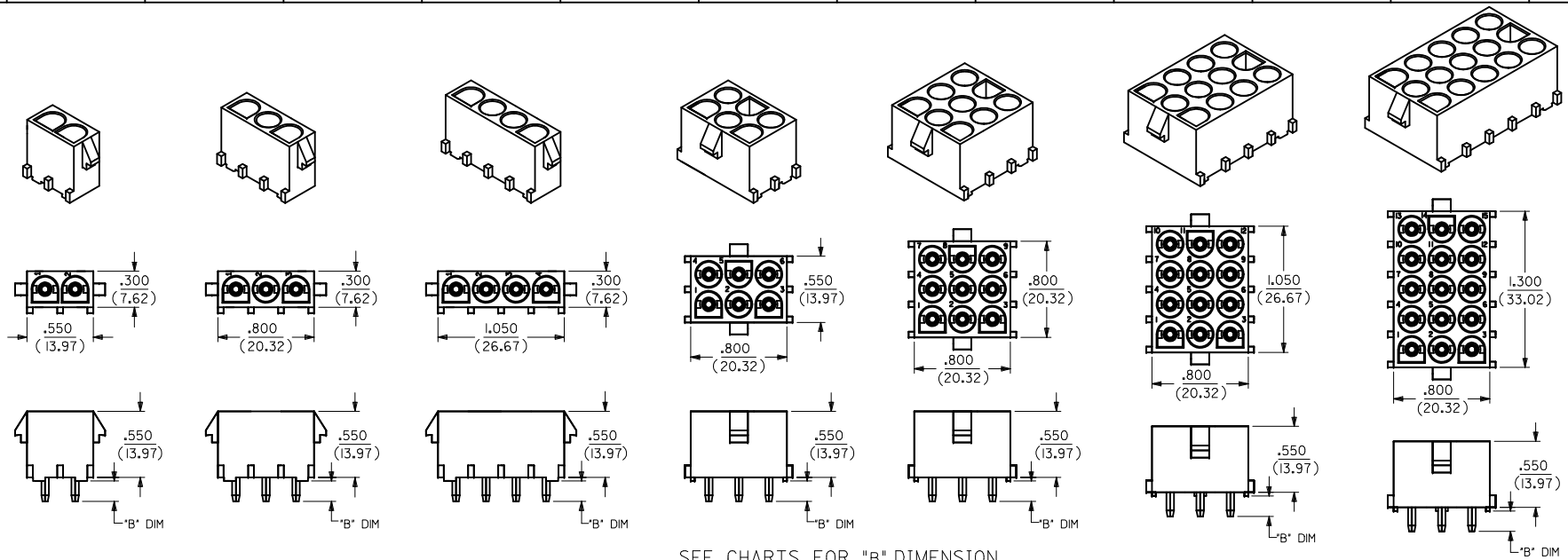
| | |
|-----------------|---------------|
| Old Part Number | A-42002-2A1A1 |
|-----------------|---------------|

Reference - Drawing Numbers

| | |
|-------------------------|---|
| Packaging Specification | PK-43255-001 |
| Product Specification | PS-42022-0001, PSX-42002-0001, PSX-42002-0002 |
| Sales Drawing | SDA-42002-***** |

This document was generated on 05/24/2010

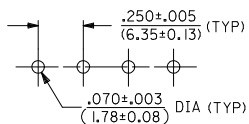
PLEASE CHECK WWW.MOLEX.COM FOR LATEST PART INFORMATION



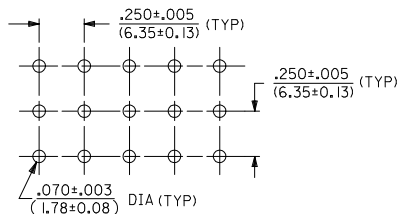
SEE CHARTS FOR "B" DIMENSION

P.C. BOARD MOUNTING DIMENSIONS

2, 3, & 4 POSITION HEADER ASSEMBLIES



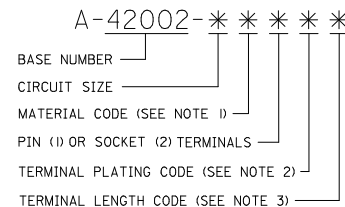
6, 9, 12 & 15 POSITION HEADER ASSEMBLIES



NOTES:

- MATERIAL CODES:
 - *A*= NYLON 6/6, 94V-2, NATURAL
 - *C*= PLOYESTER, 94V-0, WHITE/NATURAL
 - *D*= NYLON V-2
COLOUR:BLACK(ZYTEL 101F)
 - *E*= NYLON V-2
COLOUR:NATURAL
 - GLOWWIRE COMPATIBLE WITH CTI OF 325V
- PLATING CODES:
 - A = ES-88-P921
- TERMINAL LENGTH CODES:
 - I= TERMINAL FOR .062/(1.57) THICK PC BOARD
- DIMENSIONS ARE FOR REFERENCE ONLY UNLESS INDICATED OTHERWISE.
- HEADER ASSEMBLY HOUSINGS MATE WITH :
PLUG HOUSINGS, .084/(2.13) DIA. SERIES: (42021-***)
- CONTACTS ARE ON .250/(6.35) GRID CENTERLINE SPACING.

LEGEND:



| | | | | | | | | | |
|---|--------------------------------------|---------------------------------------|--|---|--|---|----------------------|------------------------------|--|
| ENTER DESCRIPTION EC NO: 12010-0067 DRAWNS: S01 CHKD: GJLOWE APPR: KPRASAD REV: D1 | QUALITY SYMBOLS ▽=0 ▽=0 ▽=0 | GENERAL TOLERANCES (UNLESS SPECIFIED) | | DIMENSION STYLE IN/MM | | SCALE NTS | DESIGN UNITS INCH | THIRD ANGLE PROJECTION | |
| | | DRAWN BY: SSUDHIR DATE: 2004/06/08 | | CHECKED BY: GJLOWE DATE: 2004/06/08 | | APPROVED BY: GJLOWE DATE: 2004/06/08 | | MATERIAL NO. SDA-42002-***** | |
| DRAFT WHERE APPLICABLE MUST REMAIN WITHIN DIMENSIONS | | SIZE A2 | | THIS DRAWING CONTAINS INFORMATION THAT IS PROPRIETARY TO MOLEX INCORPORATED AND SHOULD NOT BE USED WITHOUT WRITTEN PERMISSION | | SHEET NO. 1 OF 2 | | | |

| PART NO. | ENG. NO. | CIRCUIT SIZE | MATERIAL (SEE NOTE 1) | INSULATOR PART NO. | PLATING (SEE NOTE 2) | TERMINAL PART NO. | "B" DIM ±.015 |
|------------|----------------|--------------|-----------------------|--------------------|----------------------|-------------------|---------------|
| 10-84-4020 | A-42002-2A1A1 | 2 | A | 42002-2A | A | 42005-P921A | .17/(4,3) |
| 10-84-5020 | A-42002-2C1A1 | | C | 42002-2C | A | 42005-P921A | |
| 10-84-4022 | A-42002-2A2A1 | | A | 42002-2A | A | 42006-P921A | |
| 10-84-5021 | A-42002-2C2A1 | | C | 42002-2C | A | 42006-P921A | |
| 367590101 | 36759-0101 | | D | 366480042 | A | 42005-P921A | |
| 367590141 | 36759-0141 | | D | 366480042 | A | 42006-P921A | |
| 367570101 | 36757-0101 | E | 367570001 | A | 42005-P921A | | |
| 367570141 | 36757-0141 | E | 367570001 | A | 42006-P921A | | |
| 10-84-4030 | A-42002-3A1A1 | 3 | A | 42002-3A | A | 42005-P921A | .17/(4,3) |
| 10-84-5030 | A-42002-3C1A1 | | C | 42002-3C | A | 42005-P921A | |
| 10-84-4032 | A-42002-3A2A1 | | A | 42002-3A | A | 42006-P921A | |
| 10-84-5031 | A-42002-3C2A1 | | C | 42002-3C | A | 42006-P921A | |
| 367590102 | 36759-0102 | | D | 366480043 | A | 42005-P921A | |
| 367590142 | 36759-0142 | | D | 366480043 | A | 42006-P921A | |
| 367570102 | 36757-0102 | E | 367570002 | A | 42005-P921A | | |
| 367570142 | 36757-0142 | E | 367570002 | A | 42006-P921A | | |
| 10-84-4040 | A-42002-4A1A1 | 4 | A | 42002-4A | A | 42005-P921A | .17/(4,3) |
| 10-84-5040 | A-42002-4C1A1 | | C | 42002-4C | A | 42005-P921A | |
| 10-84-4042 | A-42002-4A2A1 | | A | 42002-4A | A | 42006-P921A | |
| 10-84-5041 | A-42002-4C2A1 | | C | 42002-4C | A | 42006-P921A | |
| 367590103 | 36759-0103 | | D | 366480044 | A | 42005-P921A | |
| 367590143 | 36759-0143 | | D | 366480044 | A | 42006-P921A | |
| 367570103 | 36757-0103 | E | 367570003 | A | 42005-P921A | | |
| 367570143 | 36757-0143 | E | 367570003 | A | 42006-P921A | | |
| 10-84-4060 | A-42002-6A1A1 | 6 | A | 42002-6A | A | 42005-P921A | .17/(4,3) |
| 10-84-5060 | A-42002-6C1A1 | | C | 42002-6C | A | 42005-P921A | |
| 10-84-4062 | A-42002-6A2A1 | | A | 42002-6A | A | 42006-P921A | |
| 10-84-5061 | A-42002-6C2A1 | | C | 42002-6C | A | 42006-P921A | |
| 367590104 | 36759-0104 | | D | 366480045 | A | 42005-P921A | |
| 367590144 | 36759-0144 | | D | 366480045 | A | 42006-P921A | |
| 367570104 | 36757-0104 | E | 367570004 | A | 42005-P921A | | |
| 367570144 | 36757-0144 | E | 367570004 | A | 42006-P921A | | |
| 10-84-4090 | A-42002-9A1A1 | 9 | A | 42002-9A | A | 42005-P921A | .17/(4,3) |
| 10-84-5090 | A-42002-9C1A1 | | C | 42002-9C | A | 42005-P921A | |
| 10-84-4092 | A-42002-9A2A1 | | A | 42002-9A | A | 42006-P921A | |
| 10-84-5091 | A-42002-9C2A1 | | C | 42002-9C | A | 42006-P921A | |
| 367590105 | 36759-0105 | | D | 366480046 | A | 42005-P921A | |
| 367590145 | 36759-0145 | | D | 366480046 | A | 42006-P921A | |
| 367570105 | 36757-0105 | E | 367570005 | A | 42005-P921A | | |
| 367570145 | 36757-0145 | E | 367570005 | A | 42006-P921A | | |
| 10-84-4120 | A-42002-12A1A1 | 12 | A | 42002-12A | A | 42005-P921A | .17/(4,3) |
| 10-84-5120 | A-42002-12C1A1 | | C | 42002-12C | A | 42005-P921A | |
| 10-84-4122 | A-42002-12A2A1 | | A | 42002-12A | A | 42006-P921A | |
| 10-84-5121 | A-42002-12C2A1 | | C | 42002-12C | A | 42006-P921A | |
| 367590106 | 36759-0106 | | D | 366480047 | A | 42005-P921A | |
| 367590146 | 36759-0146 | | D | 366480047 | A | 42006-P921A | |
| 367570106 | 36757-0106 | E | 367570006 | A | 42005-P921A | | |
| 367570146 | 36757-0146 | E | 367570006 | A | 42006-P921A | | |
| 10-84-4150 | A-42002-15A1A1 | 15 | A | 42002-15A | A | 42005-P921A | .17/(4,3) |
| 10-84-5150 | A-42002-15C1A1 | | C | 42002-15C | A | 42005-P921A | |
| 10-84-4152 | A-42002-15A2A1 | | A | 42002-15A | A | 42006-P921A | |
| 10-84-5151 | A-42002-15C2A1 | | C | 42002-15C | A | 42006-P921A | |
| 367590107 | 36759-0107 | | D | 366480057 | A | 42005-P921A | |
| 367590147 | 36759-0147 | | D | 366480057 | A | 42006-P921A | |
| 367570107 | 36757-0107 | E | 367570007 | A | 42005-P921A | | |
| 367570147 | 36757-0147 | E | 367570007 | A | 42006-P921A | | |

| | | | | | | | | | |
|---|---|---|--|-------------------------------------|--|--------------------------------------|----------------------|--|--|
| ENTER DESCRIPTION ELEC NO: 2010-0067 DRWNS01 CHKDGJLOWE APPR:KFRASAD 2010/01/27 2010/01/27 | QUALITY SYMBOLS ∇=0 ∇=0 ∇=0 | GENERAL TOLERANCES (UNLESS SPECIFIED) mm INCH | | DIMENSION STYLE IN/MM | | SCALE NTS | DESIGN UNITS INCH | THIRD ANGLE PROJECTION | |
| | | 4 PLACES ±.005 ±.005 3 PLACES ±.013 ±.010 2 PLACES ±0.25 ±.005 1 PLACE ±.025 ±.005 | | DRAWN BY DATE SSUDHIR 2004/06/08 | | CHECKED BY DATE GJLOWE 2004/06/08 | | TITLE HEADER HOUSING ASSEMBLY .084/(2.13)DIA.SERIES | |
| | | APPROVED BY DATE GJLOWE 2004/06/08 | | MATERIAL NO. | | DOCUMENT NO. | | MOLEX INCORPORATED | |
| | | DRAFT WHERE APPLICABLE MUST REMAIN WITHIN DIMENSIONS | | SEE CHART | | SDA-42002-***** | | SHEET NO. 2 OF 2 | |
| THIS DRAWING CONTAINS INFORMATION THAT IS PROPRIETARY TO MOLEX INCORPORATED AND SHOULD NOT BE USED WITHOUT WRITTEN PERMISSION | | | | | | | | | |