

PLEASE CHECK WWW.MOLEX.COM FOR LATEST PART INFORMATION

Part Number: [0002092111](#)
Status: **Active**
Overview: [standard_093](#)
Description: 2.36mm (.093") Diameter, Standard .093" Pin and Socket Crimp Terminal, Series 7239, Male, with Tin (Sn) Plated Brass Contact, High Current, 14-18 AWG, Reel Packaged
Replacement Part Number: [02-09-2611](#)

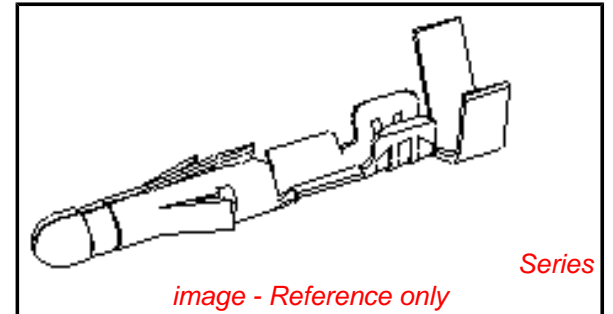


image - Reference only

Documents:

[Drawing \(PDF\)](#) [RoHS Certificate of Compliance \(PDF\)](#)

General

Product Family	Crimp Terminals
Series	7239
Crimp Quality Equipment	Yes
Obsolete Date	2005/03/01
Overview	standard_093
Product Name	Standard .093"
Replacement Part Number	02-09-2611

Physical

Gender	Male
Material - Metal	Brass
Material - Plating Mating	Tin
Material - Plating Termination	Tin
Packaging Type	Reel
Plating min: Mating (µin)	20
Plating min: Mating (µm)	0.50
Plating min: Termination (µin)	20
Plating min: Termination (µm)	0.50
Wire Insulation Diameter	4.06mm (.160") max.
Wire Size AWG	14, 16, 18
Wire Size mm ²	N/A

Material Info

Old Part Number 7239

EU RoHS

ELV and RoHS Compliant

REACH SVHC Not Reviewed

Halogen-Free Status

Not Reviewed

China RoHS



Need more information on product environmental compliance?

Email productcompliance@molex.com
 For a multiple part number RoHS Certificate of Compliance, [click here](#)

Please visit the [Contact Us](#) section for any non-product compliance questions.

Search Parts in this Series

[7239Series](#)

Use With

[1545](#) Crimp Housing, [1619](#) Plug or Receptacle Housing, [1396](#) Plug or Receptacle Housing, [1490](#) Plug or Receptacle Housing, [2629](#) Plug or Receptacle Crimp Housings, [1261](#) Plug or Receptacle Housing, [1292](#) Plug or Receptacle Housing, [1360](#) Plug or Receptacle Housing, [1375](#) Plug or Receptacle Housing, [2163](#) Plug or Receptacle Housings

Application Tooling | FAQ

Tooling specifications and manuals are found by selecting the products below. Crimp Height Specifications are then contained in the Application Tooling Specification document.

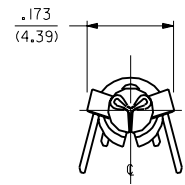
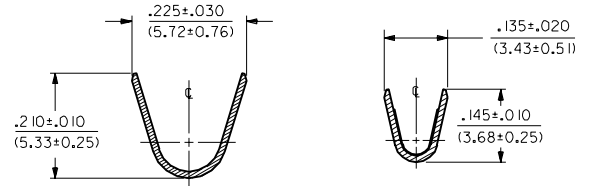
Global

Description	Product #
Mini-Mac™ Applicator	0638924500
Terminator Die	0011402131

This document was generated on 05/17/2010

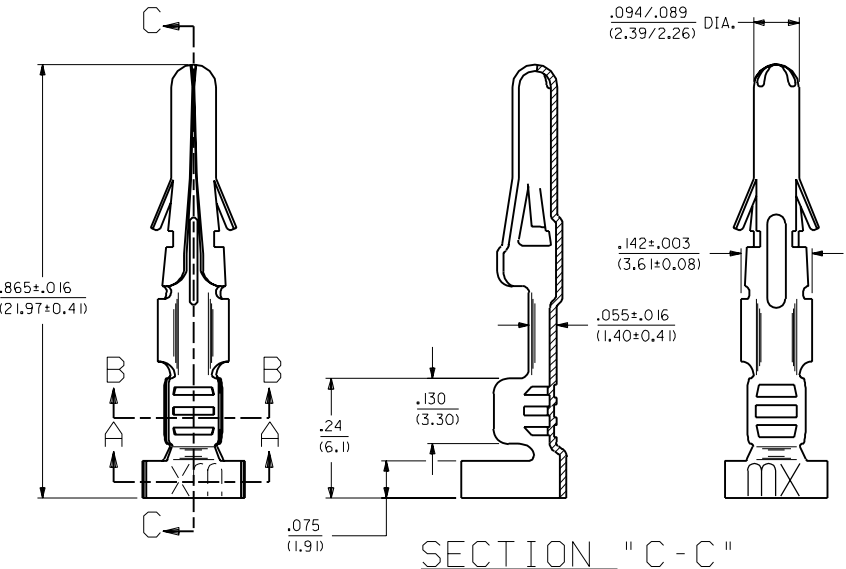
PLEASE CHECK WWW.MOLEX.COM FOR LATEST PART INFORMATION

PART NO.	ENG. NO.
02-09-2111	7239-(P901)
02-09-2112	7239-(P901)L
-	-
-	-
-	-



SECTION "A" SECTION "B"

LEGEND
 7239-(****)*
 P=PREPLATE BLANK=POSTPLATE
 FORM BLANK=CHAIN L=LOOSE
 FINISH CODE



NOTES:
 1. TERMINAL FOR USE WITH .093/(2.36) SERIES HOUSINGS AND WILL ACCEPT 14 THRU 18 AWG WIRE.
 2. THIS PART CONFORMS TO PROD. SPEC. 02-09.

MATERIAL:
 CARTRIDGE BRASS, ALLOY #C26000,
 .013/(0.33) THICK, SPRING TEMPER.

FINISH CODES:
 901 HOT TIN DIP .000020/(0.0005) MIN.



EI	REVISED ECN# UCR1999-0518 STAMBAUGH 99-2-3
E	REVISED & REDRAWN ECR #2 0081 3/4/92 RW

DIMENSIONS SHOWN (METRIC) INCH		UNLESS OTHERWISE SPECIFIED TOLERANCES: ANGULAR ± 1/2°		REVISIONS	
INCH	METRIC	TITLE			
3 PLACE ± .010	---	CRIMP TERMINAL, MALE			
2 PLACE ± .014	± 0.25	.093/(2.36) DIA.			
1 PLACE ---	± 0.35	FOR 14 THRU 18 AWG WIRE			
DRAFT WHERE APPLICABLE MUST REMAIN WITHIN DIMENSIONS		PART NO.		DRWG. NO.	
DRWG. BY: CWF		FILE NAME: SD7239X1		SD-7239-*	
SCALE: 6:1		DATE: 6/17/91		DIV. CP	

7239

A