

PLEASE CHECK WWW.MOLEX.COM FOR LATEST PART INFORMATION

Part Number: [0002081102](#)
Status: **Active**
Description: Claspcn™ Crimp Terminal Socket, Tin (Sn) Plated Brass Contact, 16-24 AWG, Bag

Documents:

[Drawing \(PDF\)](#) [RoHS Certificate of Compliance \(PDF\)](#)

Agency Certification

CSA LR19980
 UL E29179

General

Product Family Crimp Terminals
 Series [1881](#)
 Crimp Quality Equipment Yes
 Product Name Claspcn™

Physical

Gender Female
 Material - Metal Brass
 Material - Plating Mating Tin
 Material - Plating Termination Tin
 Packaging Type Bag
 Plating min: Mating (µin) 20
 Plating min: Mating (µm) 0.50
 Plating min: Termination (µin) 20
 Plating min: Termination (µm) 0.50
 Termination Interface: Style Crimp or Compression
 Wire Insulation Diameter 3.50mm (.138") max.
 Wire Size AWG 16, 18, 20, 22, 24
 Wire Size mm² N/A

Material Info

Old Part Number 1881-2L1A

Reference - Drawing Numbers

Sales Drawing SD-1881-*

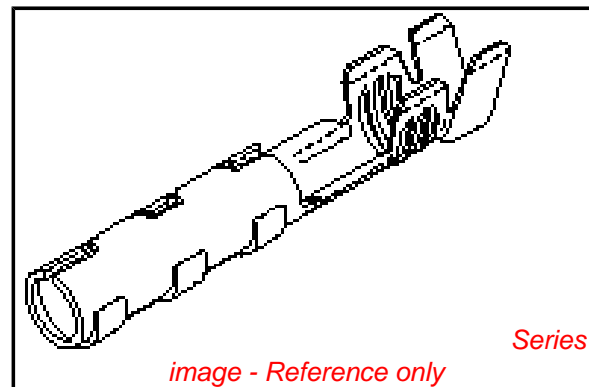


image - Reference only

EU RoHS

**ELV and RoHS
 Compliant**
**REACH SVHC
 Contains SVHC: No**
**Halogen-Free
 Status**

China RoHS



**Need more information on product
 environmental compliance?**

Email productcompliance@molex.com
 For a multiple part number RoHS Certificate of
 Compliance, [click here](#)

Please visit the [Contact Us](#) section for any
 non-product compliance questions.

Search Parts in this Series

[1881Series](#)

Mates With

[16-06-0005](#)

Application Tooling | FAQ

*Tooling specifications and manuals are
 found by selecting the products below.
 Crimp Height Specifications are then
 contained in the Application Tooling
 Specification document.*

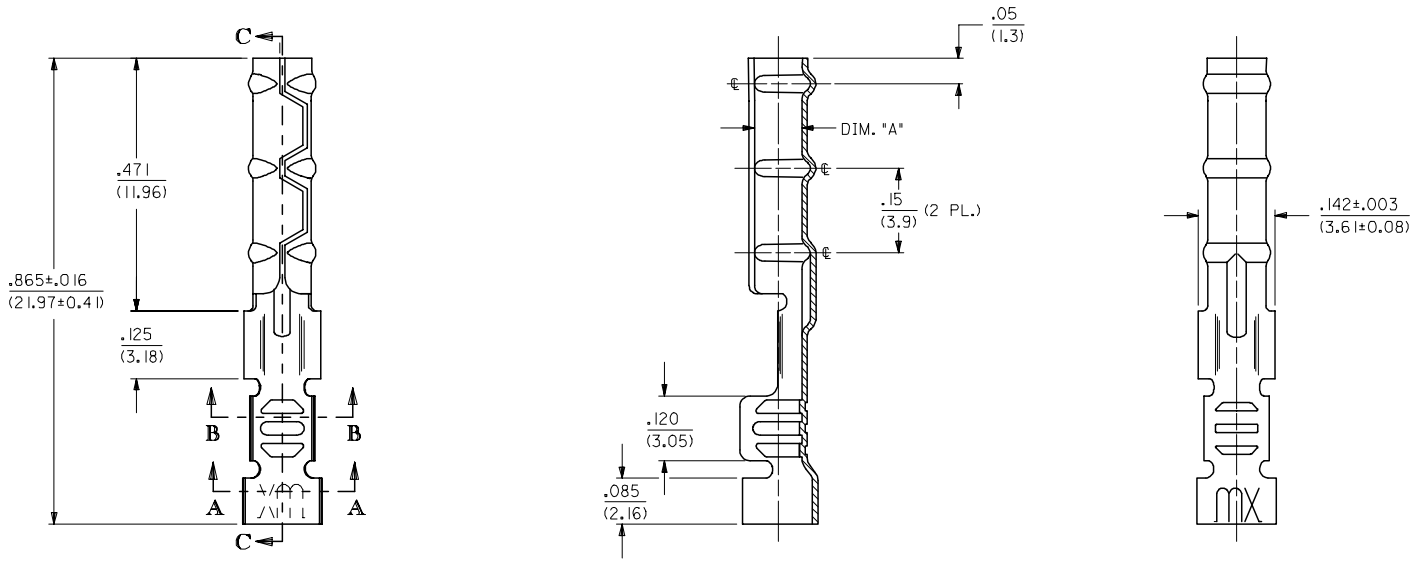
Global

Description	Product #
Extraction Tool	0011030006
Hand Crimp Tool	0638191200

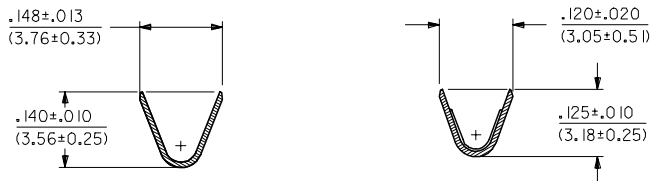
13 12 11 10 9 8 7 6 5 4 3 2 1

J I H G F E D C B A

1881-2*** TERMINAL SHOWN (16-24 AWG)
SEE SHEET 2 FOR 1881-3*** TERMINAL



SECTION C-C



SECTION A-A

SECTION B-B

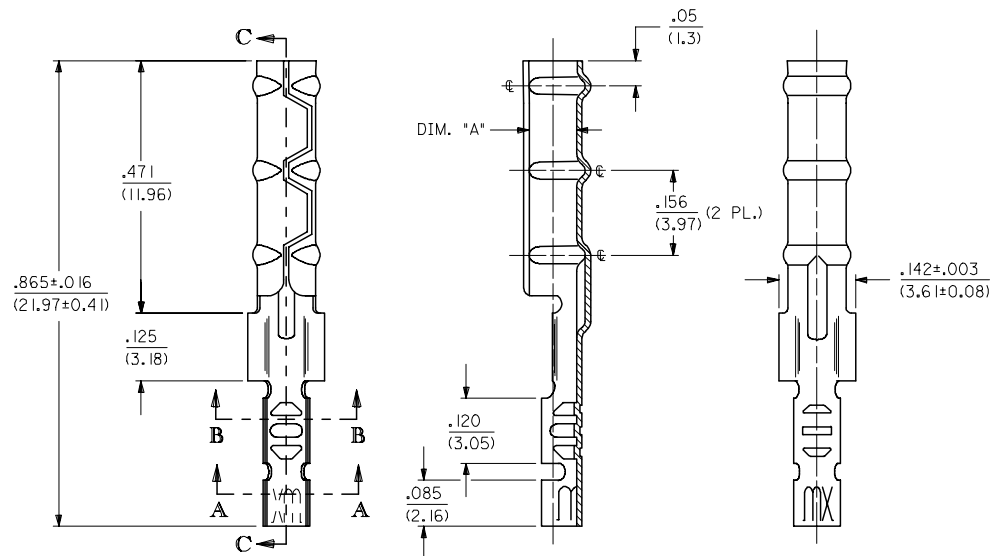
2	L1
1	L1
SHT/REV	

UPDATE TITLE BLOCK EC NO: UCP2006-0215 2005/08/05 DRAWN: JLONE 2005/08/10 CHKD: ADERR 2005/08/10 APPR: FSM TH 2005/08/10 REV: L1	QUALITY SYMBOLS ▽=0 ▽=0	GENERAL TOLERANCES (UNLESS SPECIFIED) <table border="1"> <tr> <th></th> <th>mm</th> <th>INCH</th> </tr> <tr> <td>4 PLACES</td> <td>± .10</td> <td>± .004</td> </tr> <tr> <td>3 PLACES</td> <td>± .12</td> <td>± .005</td> </tr> <tr> <td>2 PLACES</td> <td>± .15</td> <td>± .006</td> </tr> <tr> <td>1 PLACE</td> <td>± .20</td> <td>± .008</td> </tr> </table> ANGULAR ±1/2°		mm	INCH	4 PLACES	± .10	± .004	3 PLACES	± .12	± .005	2 PLACES	± .15	± .006	1 PLACE	± .20	± .008	DIMENSION STYLE IN/MM DRAWN BY: JWC DATE: 3/11/91 CHECKED BY: RW DATE: 3/11/91 APPROVED BY: JWF DATE: 3/11/91	SCALE: 6:1 DESIGN UNITS: INCH THIRD ANGLE PROJECTION	TITLE: CRIMP TERMINAL SOCKET, CLASPCON MATERIAL NO.: DOCUMENT NO.: SD-1881-* SHEET NO.: 1 OF 2
		mm	INCH																	
	4 PLACES	± .10	± .004																	
	3 PLACES	± .12	± .005																	
2 PLACES	± .15	± .006																		
1 PLACE	± .20	± .008																		
DRAFT WHERE APPLICABLE MUST REMAIN WITHIN DIMENSIONS		SEE CHART	MOLEX INCORPORATED																	
THIS DRAWING CONTAINS INFORMATION THAT IS PROPRIETARY TO MOLEX INCORPORATED AND SHOULD NOT BE USED WITHOUT WRITTEN PERMISSION																				

12 11 10 9 8 7 6 5 4 3 2 1

CHART			
PART NUMBER	ENG. NUMBER	DIMENSION "A" (DIA.)	
02-08-1102	1881-2L1A	.085/.090 (2.16/2.29)	
02-08-1101	1881-2C1A		
02-08-1106	1881-2L1B	.083/.088 (2.11/2.24)	OBSOLETE
02-08-1105	1881-2C1B		OBSOLETE
02-08-1104	1881-3L1A	.085/.090 (2.16/2.29)	
02-08-1103	1881-3C1A		
02-08-1107	1881-4C1A	.085/.090 (2.16/2.29)	OBSOLETE
02-08-1108	1881-4L1A		OBSOLETE

1881-3*** TERMINAL SHOWN (24-30 AWG)
SEE SHEET 1 FOR 1881-2*** TERMINAL



LEGEND

1881-***
 CRIMP STYLE
 2 = 16-24 AWG
 3 = 24-30 AWG
 4 = 22 AWG
 BARREL I.D.
 A = .085/.090 BARREL I.D.
 FORM
 L = LOOSE
 C = CHAIN
 FINISH
 (*P* PRECEDING FINISH NO. DESIGNATES PREPLATED MATERIAL)
 1 = P901 - HOT TIN DIP: .000020/(0.0005) MIN.

- NOTES:
1. MATERIAL: CARTRIDGE BRASS
 2. FINISH: SEE LEGEND
 3. PRODUCT SPECIFICATION: N/A
 4. PACKAGING SPECIFICATION: N/A
 5. 1881 "CLASPCON" SERIES TERMINAL WITH THE STANDARD BARREL I.D. IS INTENDED FOR MATING TO .093/(2.36) DIA. P.C. BOARD PINS.
 6. INITIAL EXTRACTION FORCE TO BE 4.0±1.5 LBS. FROM AN .093/.092 / (2.36/2.34) DIA. PIN AND 2 LBS. MIN. AFTER THE 10TH EXTRACTION ON STANDARD BARREL I.D.

OBSOLETE 02-08-1102 EC NO: UCP2006-0215 DRAWN: JLONE 2005/08/05 CHKD: ADERR 2005/08/10 APPR: FSM TH 2005/08/10 REV L1	QUALITY SYMBOLS ▽=0 ▽=0	GENERAL TOLERANCES (UNLESS SPECIFIED)	DIMENSION STYLE IN/MM	SCALE 6:1	DESIGN UNITS INCH	THIRD ANGLE PROJECTION
		mm INCH	DRAWN BY DATE JWC 3/11/91	TITLE CRIMP TERMINAL SOCKET, CLASPCON		
		4 PLACES ± --- ± --- 3 PLACES ± --- ± .010 2 PLACES ± 0.25 ± .014 1 PLACE ± 0.36 ± --- ANGULAR ±1/2°	CHECKED BY DATE RW 3/11/91	MOLEX INCORPORATED		
		DRAFT WHERE APPLICABLE MUST REMAIN WITHIN DIMENSIONS	APPROVED BY DATE JWF 3/11/91			