

PLEASE CHECK WWW.MOLEX.COM FOR LATEST PART INFORMATION

Part Number: **0002066119**
Status: **Active**
Overview: standard_062
Description: 1.57mm (.062") Diameter, Standard .062" Pin and Socket Crimp Terminal, Series 1560, Male, with Selective Gold (Au) Plated Brass Contact, Tin/Lead Plated Crimp Area, 18-24 AWG, Bag

Documents:

[Drawing \(PDF\)](#) [RoHS Certificate of Compliance \(PDF\)](#)

General

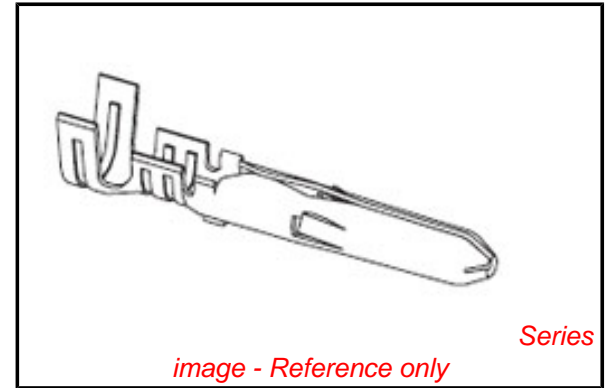
Product Family	Crimp Terminals
Series	<u>1560</u>
Crimp Quality Equipment	Yes
Overview	<u>standard_062</u>
Product Name	Standard .062"
Physical	
Gender	Male
Material - Metal	Brass
Material - Plating Mating	Gold
Material - Plating Termination	Tin
Packaging Type	Bag
Plating min: Mating (µin)	30
Plating min: Mating (µm)	0.75
Plating min: Termination (µin)	100
Plating min: Termination (µm)	2.5
Wire Insulation Diameter	1.52-3.05mm (.060-.120")
Wire Size AWG	18, 20, 22, 24
Wire Size mm ²	N/A

Material Info

Old Part Number 1560563L

Reference - Drawing Numbers

Sales Drawing SD-1560-*



EU RoHS

**ELV and RoHS
Compliant**
**REACH SVHC
Not Reviewed**
**Halogen-Free
Status
Not Reviewed**

China RoHS



**Need more information on product
environmental compliance?**

Email productcompliance@molex.com
 For a multiple part number RoHS Certificate of Compliance, [click here](#)

Please visit the [Contact Us](#) section for any non-product compliance questions.

Search Parts in this Series

1560Series

Application Tooling | FAQ

Tooling specifications and manuals are found by selecting the products below. Crimp Height Specifications are then contained in the Application Tooling Specification document.

Global

Description	Product #
Hand Crimp Tool for Standard .062" Pin and Socket Crimp Terminals, 18-24 AWG	<u>0638191300</u>
Manual Extraction Tool	<u>0011030002</u>
Hand Crimper - DISTRIBUTION ONLY	<u>0638111000</u>

Japan

Description	Product #
Hand Insertion Tool	<u>0011020001</u>

This document was generated on 05/17/2010

PLEASE CHECK WWW.MOLEX.COM FOR LATEST PART INFORMATION

PART NO. ENG. NO.

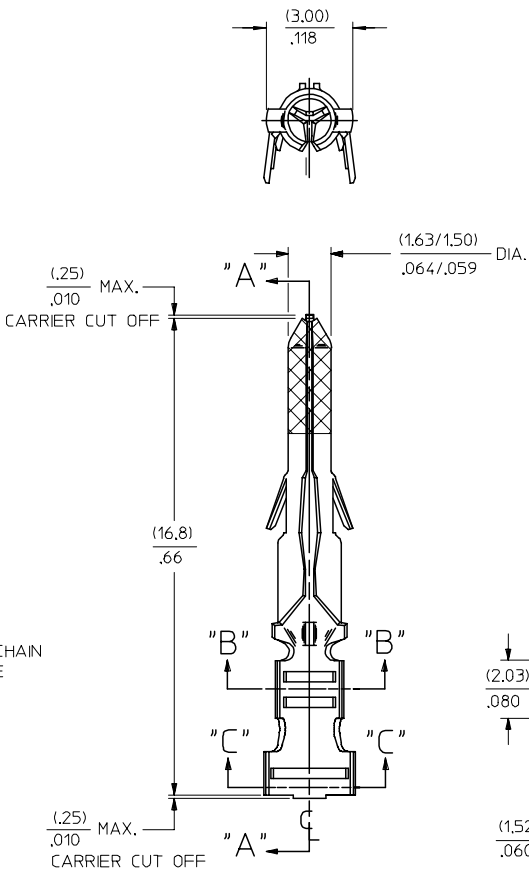
02-06-2101	1560-(P901)
02-06-2103	1560-(P901)L
02-06-6101	1560-(561)
02-06-6102	1560-(561)L
02-06-6118	1560-(228)
02-06-6119	1560-(228)L
02-06-6116	1560-(231)
02-06-6112	1560-(231)L
02-06-6100	1560-(550)
02-06-6103	1560-(550)L
02-06-6105	1560-(591)
02-06-6104	1560-(591)L

LEGEND

1560-(****)*
 P=PREPLATE FORM
 BLANK=POSTPLATE BLANK=CHAIN
 FINISH CODE L=LOOSE

NOTES:

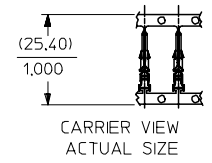
- MATERIAL: BRASS
- FINISHES:
 - 901 HOT TIN DIP (.00051)/.000020 MIN.
 - *228 SELECT GOLD PLATE (.00075)/.000030 MIN. IN CONTACT AREA, SELECT TIN (.00250)/.000100 MIN. IN CRIMP AREA OVER (.00125)/.000050 MIN. NICKEL OVERALL.
 - *231 SELECT GOLD PLATE (.00125)/.000050 MIN. IN CONTACT AREA, SELECT TIN (.00250)/.000100 MIN. IN CRIMP AREA OVER (.00125)/.000050 MIN. NICKEL OVERALL.
 - 561 SELECT GOLD PLATE (.00076)/.000030 MIN. IN CONTACT AREA, OVER (.00127)/.000050 MIN. NICKEL OVERALL.
 - 591 SELECT GOLD PLATE (.00127)/.000050 MIN. IN CONTACT AREA, OVER (.00127)/.000050 MIN. NICKEL OVERALL WITH (.000025)/.000010 MAX. GOLD FLASH OVERALL.
 - 550 SELECT GOLD PLATE (.00038)/.000015 MIN. IN CONTACT AREA, OVER (.00076)/.000030 MIN. NICKEL OVERALL WITH (.000025)/.000010 MAX. GOLD FLASH OVERALL.
 - * THE PRIMARY SHIPPING CARTON WILL BE LABELED, "COMPLIANT TO RoHS DIRECTIVE" 2002/95/EC AND ELV ANNEX II OF DIRECTIVE 2000/53/EC, AND CARTONS WITHOUT THIS LABEL MAY CONTAIN PRODUCT WITH TIN-LEAD.
- PRODUCT SPECIFICATION: PS-02-06
- PACKAGING INFORMATION: NOT AVAILABLE
- TERMINAL FOR USE WITH (157)/.062 DIA. SERIES HOUSINGS AND WILL ACCEPT 18 THRU 24 AWG WIRE.



SECT. "A-A"

SECT. "B-B"
SCALE:10X

SECT. "C-C"
SCALE:10X



AP	REVSE Sn/Pb PLATE REDRAWN TO ME10 UCP2004-2097 RHOLTS 5/07/04
AO	REINSTATE 02066105 UCP2003-1827 ELHAG, 03/02/24
AN	OBSOLETE P/N UCR2002-0270 COMERC 01/9/25
AM1	ADDED ISO VIEW UCR1998-0228 WANG 98-05-21
AM	REV. & REDRAWN PER ECR 10372 GEP 8-19-87 RW

REFER TO REVISION BLOCK EC NO: 2002/2004/2097 DRWNR:RHOLTS 2004/05/14 CHKD: 2004/05/14 APPR:FSMITH 2004/05/18 AP	QUALITY SYMBOLS ▽ = 0 ▽ = 0	GENERAL TOLERANCES (UNLESS SPECIFIED) <table border="1"> <tr><th colspan="2">mm</th><th colspan="2">INCH</th></tr> <tr><td>4 PLACES</td><td>± .---</td><td>± .---</td><td>± .---</td></tr> <tr><td>3 PLACES</td><td>± .---</td><td>± .010</td><td>± .---</td></tr> <tr><td>2 PLACES</td><td>± 0.25</td><td>± .014</td><td>± .---</td></tr> <tr><td>1 PLACE</td><td>± 0.35</td><td>± .---</td><td>± .---</td></tr> </table> ANGULAR ±1/2°	mm		INCH		4 PLACES	± .---	± .---	± .---	3 PLACES	± .---	± .010	± .---	2 PLACES	± 0.25	± .014	± .---	1 PLACE	± 0.35	± .---	± .---	SCALE 8:1 DESIGN UNITS INCH DIMENSION STYLE IN/MM DRAWN BY GEP DATE 1987/08/19 CHECKED BY RW DATE 1987/08/19 APPROVED BY RAS DATE 1987/08/19	THIRD ANGLE PROJECTION TITLE CRIMP TERMINAL, MALE .062 DIA. FOR 18-24 AWG WIRE MOLEX MOLEX INCORPORATED MATERIAL NO. SEE CHART DOCUMENT NO. SD-1560-* SHEET NO. 1 OF 1	REVISE ON CAD ONLY
	mm		INCH																						
	4 PLACES	± .---	± .---	± .---																					
	3 PLACES	± .---	± .010	± .---																					
2 PLACES	± 0.25	± .014	± .---																						
1 PLACE	± 0.35	± .---	± .---																						
DRAFT WHERE APPLICABLE MUST REMAIN WITHIN DIMENSIONS		THIS DRAWING CONTAINS INFORMATION THAT IS PROPRIETARY TO MOLEX INCORPORATED AND SHOULD NOT BE USED WITHOUT WRITTEN PERMISSION																							