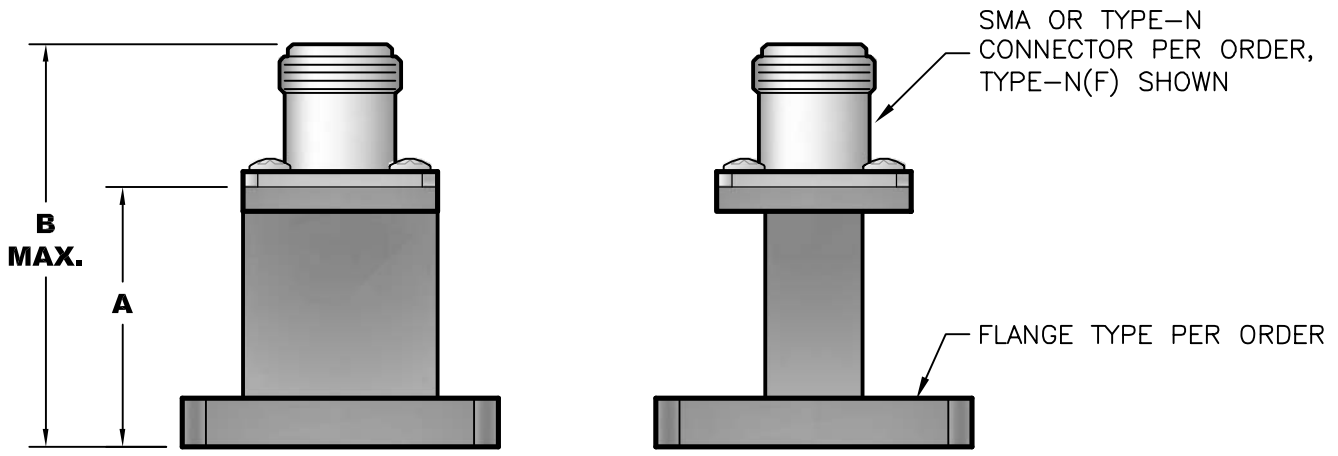


D	11/1/02 JE	WR137 DIM 'A' 1.83 WAS 1.71, WR137 DIM 'B' TYPE-N' 2.60 WAS 2.45 REMOVED REVS A, B, C, WERE "INITIAL RELEASE" AND "UPDATED DIMENSIONS".
E	1/14/03 RL	WR137 DIM 'B' SMA WAS: 2.09, IS: 2.21.
F	2/27/03	ADDED DIMS FOR WR430 MODELS.
G	4/1//03	ADDED DIMS FOR WR159 SMA(F) ADDED DIMS FOR WR159 TYPE-N(F)
H	11/6/03	ADDED WR42 (SMA) TO TABLE
J	1/27/04	ADDED WR51 (SMA) TO TABLE
K	3/12/04	ADDED DIMS FOR WR102, WR75 2.11 WAS: 2.07
L	07/19/05	WR34 & WR42 DIMS ADDED, SUPERFICIAL CHANGES.
M	10/6/07	WR340 DIMS ADDED



DIM:	A	SMA	TYPE-N
		B	
*WR28	0.86	1.23	N/A
*WR34	0.88	1.25	N/A
WR42	0.88	1.25	N/A
WR51	1.09	1.47	N/A
WR62	1.25	1.63	1.99
WR75	1.38	1.75	2.11
WR90	1.46	1.84	2.20
WR102	1.50	1.88	2.24
WR112	1.56	1.94	2.30
WR137	1.83	2.21	2.60
WR159	2.00	2.38	2.77
WR187	2.07	2.45	2.81
WR229	2.25	2.63	2.99
WR284	2.75	3.13	3.49
WR340	3.75	4.13	4.49
WR430	4.00	4.38	4.74

\*WR28 & WR34 MODELS SHIP WITH K (2.9MM) CONNECTORS ONLY.

THIRD ANGLE PROJECTION:	APPROVALS	DATE		ADVANCED TECHNICAL MATERIALS, INC. TEL: (631) 289-0363 FAX: (631) 289-0358 www.atmmicrowave.com		THE INFORMATION IN THIS DRAWING IS PROPRIETARY AND SHALL NOT BE USED OR DISCLOSED WITHOUT THE PRIOR WRITTEN CONSENT OF ATM, INC. DO NOT SCALE DWG.	
UNLESS OTHERWISE NOTED, DIMENSIONS ARE IN INCHES, TOLERANCES ARE: FRACTIONS: ±1/64 ANGLES: ±1/2°	DRAWN RL	107/23/01		OUTLINE, W/G-COAX ADAPTER - ENDLAUNCH TYPE SMA & TYPE-N			
BASIC DIMENSION	DECIMALS 2 PLACE	3 PLACE	APRVD.				SIZE A
UNDER 6"	±.02	±.005	MATERIAL PER ORDER	SCALE	NONE	MODEL # XXX-201/203-XX	SHEET 1/1
6" - 12"	±.03	±.010	TREATMENT -				
OVER 12"	±.06	±.015	FINISH -				