

S-BAND KLYSTRON VKS2200 SERIES

The VKS2200 Klystron Series is designed for use in new or replacement communications systems. Typical applications include Satcom Uplink, TT&C and tropospheric scatter communications.

These modern compact and cost effective co-axial output, CW klystrons are tunable in the 1.7 to 2.4 GHz frequency range.

Two configurations are available. A manual tuner, with calibrated counters for easy recall of previously tuned channels, or a 50-channel Digital Fast Tuning System (DFTS), for applications requiring rapid or remote channel selection



RF and Electrical Specifications

Model	Frequency Range	Output Power
VKS2200C1	1.700 to 2.100 GHz	2000
VKS2200C2	1.750 to 1.850 GHz	2500
VKS2200C5	1.760 to 2.120 GHz	2500
VKS2200D2	1.97 to 2.230 GHz	2500
VKS2200D3	2.00 to 2.150 GHz	2500

Instantaneous Bandwidth (-1dB)	8 MHz
Gain – minimum	40 dB
Beam Voltage – maximum	8.8 kV
Beam Current – maximum	0.90 A

Other models are available, please call CPI for information

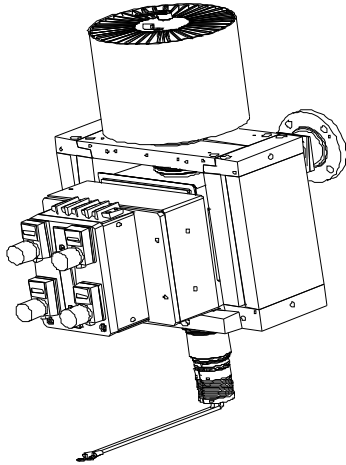
Physical Characteristics

Dimensions	See outline drawings
Weight (approx)	90 lb (41 kg)
Operating Orientation	Collector up
Collector Cooling	Forced Air
Integral permanent magnet	

The VKS2200 series replaces the following model types;

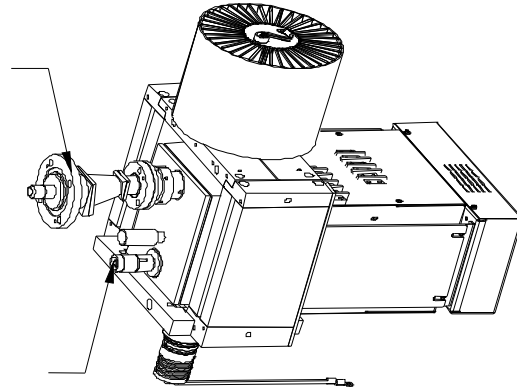
4K5SL-2	VKS7961A	TH2500
4K5SL-3	VKS7961B	TH2503
4K5SL-4	VKS7962A	TH2451A
4K5SL-5	VKS7962B	etc.
4K5SL-7		

MANUAL TUNER VERSION

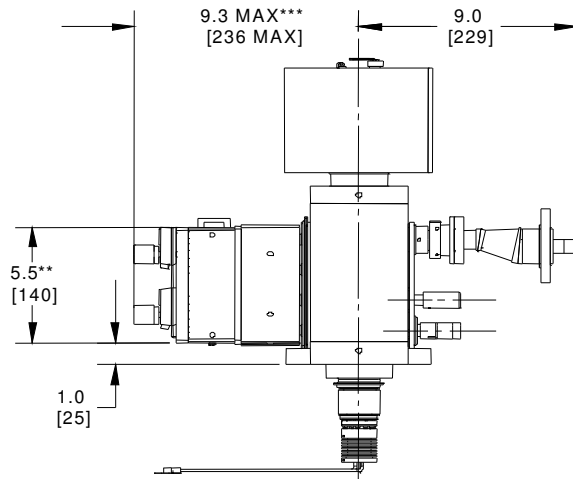
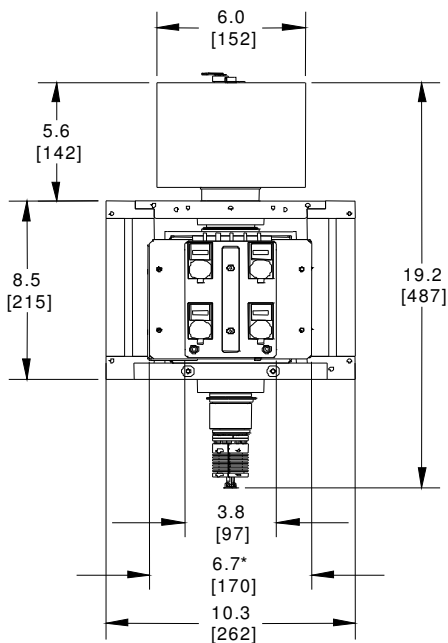


RF OUTPUT
EIA 1 5/8 ROTATING

DFTS VERSION



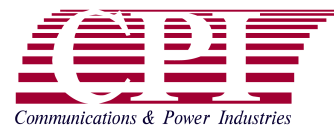
RF INPUT
"N" TYPE; MALE



MANUAL TUNER SHOWN,
DFTS DIMS NOTED.

NOTE: DIMENSIONS
INCH
[MM]

* DFTS DIMS: 9.0 [229]
** DFTS DIMS: 6.0 [152]
*** DFTS DIMS: 12.8 [325]



For complete information on the full VKS2200 Series and other klystrons used in satellite communications, please contact your local CPI office, or CPI Canada Inc.

45 River Drive / Georgetown, Ontario / Canada
Tel: (905) 877-0161 Fax: (905) 877-5327
E-MAIL: marketing@cmp.cpii.com
WEB: www.cpii.com/cmp