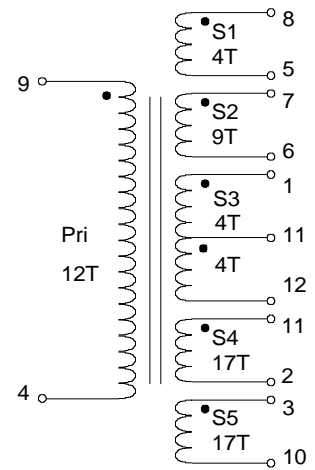


FLYBACK TRANSFORMER

Electrical Specifications at 25°C

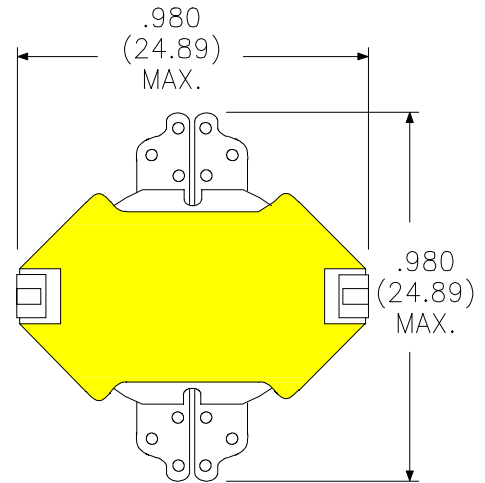
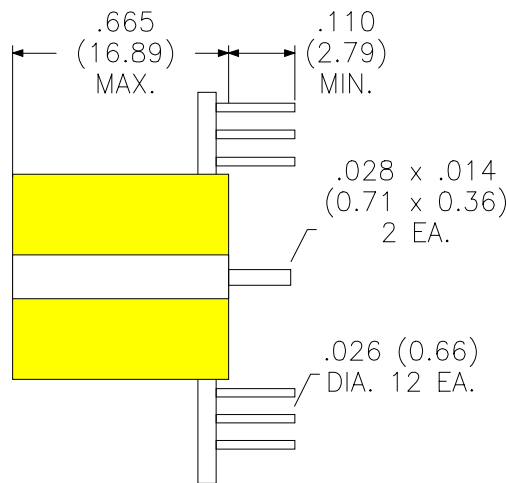
Parameter	Nominal	Max.	Units
Primary Inductance (Pins 9-4 Device Side)	36.0		μH
Interwinding Capacitance	45		pF
Leakage Inductance	0.33		μH
Primary DC Resistance (P) (9-4)	99		mΩ
Secondary DCR (S1) (8-5)	20		mΩ
Secondary DCR (S2) (7-6)	60		mΩ
Secondary DCR (S3) (1-12)	75		mΩ
Secondary DCR (S4) (11-2)	130		mΩ
Secondary DCR (S5) (3-10)	120		mΩ

Schematic Diagram

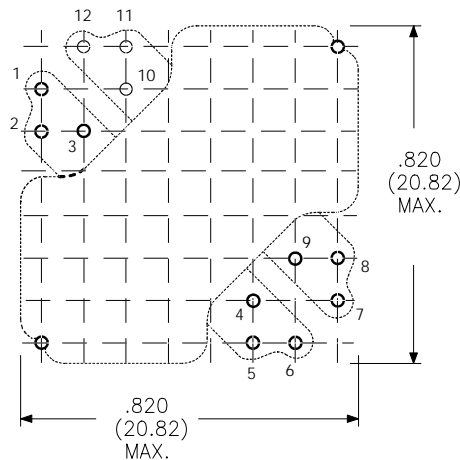


Grade A: 1K VDC between all windings and winding to core.

Physical Dimensions
inches (mm)



0.100 Inch (2.54 mm) Grid



**Electro Magnetic Shield
connected to ground clip**

RHOMBUS P/N: T-928	
CUST P/N:	NAME:
DATE: 8/11/97	SHEET: 1 OF 1