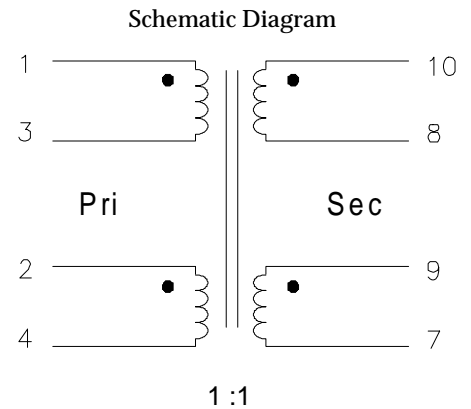


xDSL Transformer

Reinforced Insulation Per EN 41003/EN 60950

Turns Ratio (± 3 %)		1 : 1		
PARAMETER	MIN.	NOM.	MAX.	UNITS
Impedance primary		135		Ω
Impedance secondary		135		Ω
¹ Inductance primary (1-4) 2,3 shorted		215		μH
¹ Inductance secondary (10-7) 8,9 shorted		215		μH
¹ Leakage inductance 1-4 (2,3 & 10,8,9,7 shorted)			24	μH
¹ Interwinding capacitance (Between primary to secondary)			25	pF
Resistance (1-4, shorted 2,3)		.70		Ω
Resistance (7-10, shorted 8,9)		.70		Ω
Longitudinal balance (1MHz)	60			dB
Isolation	3000			V _{RMS}

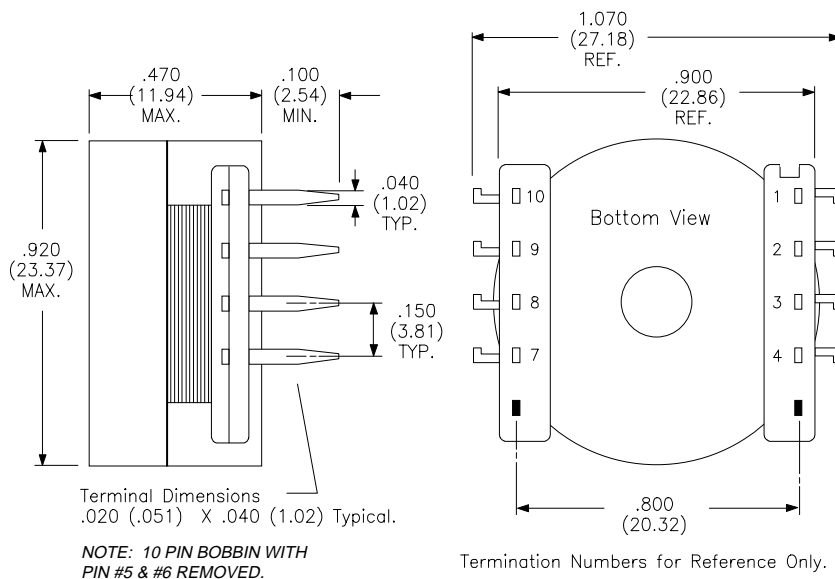
¹Tested @ 100kHz & 100 mV_{RMS}



This part is available in
Surface Mount.
Add Suffix "G"
to part number.

Physical Dimensions inches (mm)

Unused Pins
Omitted



RHOMBUS P/N: T-885

CUST P/N:

NAME: GLOBESPAN

DATE: 1/27/97

SHEET: 1 of 1