

## OSCILLATORS - PROGRAMMABLE

Telephone: +44 (0)1460 230000  
 Fax: +44 (0)1460 230001  
 Email: sales@euroquartz.co.uk  
 Web: www.euroquartz.co.uk

### SP8 SERIES

8 PIN Dual-in-Line  
**PROGRAMMABLE  
 OSCILLATORS**

### General Specification

**Frequency range:** 40kHz to 25MHz  
**Frequency stability:** ±100ppm  
**Operating temperature range:** -10°C to +70°C  
**Supply Voltage:** 3.0 Volt to 6.0 Volt  
**Supply current:** 20mA max.  
**Rise and times:** 15ns  
**Symmetry:** 40/60%

#### Output:

The oscillator provides two outputs; one, the original frequency and the other the divided output. Both outputs can be disabled.

Programming any of the four inputs allows the fundamental frequency to be divided by any of these ratios:

÷2, ÷4, ÷8, ÷16, ÷32, ÷64, ÷128, ÷256

- Frequency division from 1 /2 to 1 /2<sup>8</sup>
- Low current consumption
- Readily mounted 8 pin DIP

#### Programming table

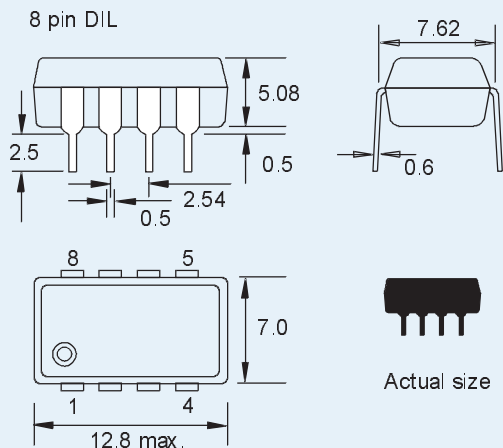
Pin	÷2	÷4	÷8	÷16	÷32	÷64	÷128	÷256
5	0	1	0	1	0	1	0	1
6	0	0	1	1	0	0	1	1
7	0	0	0	0	1	1	1	1

#### Standard undivided fundamental frequencies

12.0MHz	15.9744MHz	20.0MHz
12.288MHz	16.0MHz	20.49MHz
14.31818MHz	16.128MHz	21.4727MHz
14.5MHz	16.257MHz	22.0MHz
14.7456MHz	16.384MHz	22.1184MHz
14.9106MHz	17.734476MHz	24.0MHz
15.0MHz	18.432MHz	24.576MHz
15.36MHz	19.0909MHz	

### SP8 SERIES Stock Listing

Euroquartz Stock No	Frequency	Specification
SP 12000A	12.0MHz	±100ppm / -10 to 70°C
SP 12288A	12.288MHz	±100ppm / -10 to 70°C
SP 12800A	12.8MHz	±100ppm / -10 to 70°C
SP 14318A	14.31818MHz	±100ppm / -10 to 70°C
SP 14745A	14.7456MHz	±100ppm / -10 to 70°C
SP 16000A	16.0MHz	±100ppm / -10 to 70°C
SP 16384A	16.384MHz	±100ppm / -10 to 70°C
SP 17734A	17.73447MHz	±100ppm / -10 to 70°C
SP 18432A	18.432MHz	±100ppm / -10 to 70°C
SP 19660A	19.6608MHz	±100ppm / -10 to 70°C
SP 20000A	20.0MHz	±100ppm / -10 to 70°C



Outline and Dimensions

#### Pin connections

Pin 1 Oscillator output undivided  
 Pin 2 Oscillator output divided  
 Pin 3 1 enable, 0 disable  
 Pin 4 Ground  
 Pin 5 Programme  
 Pin 6 Programme  
 Pin 7 Programme  
 Pin 8 Vcc