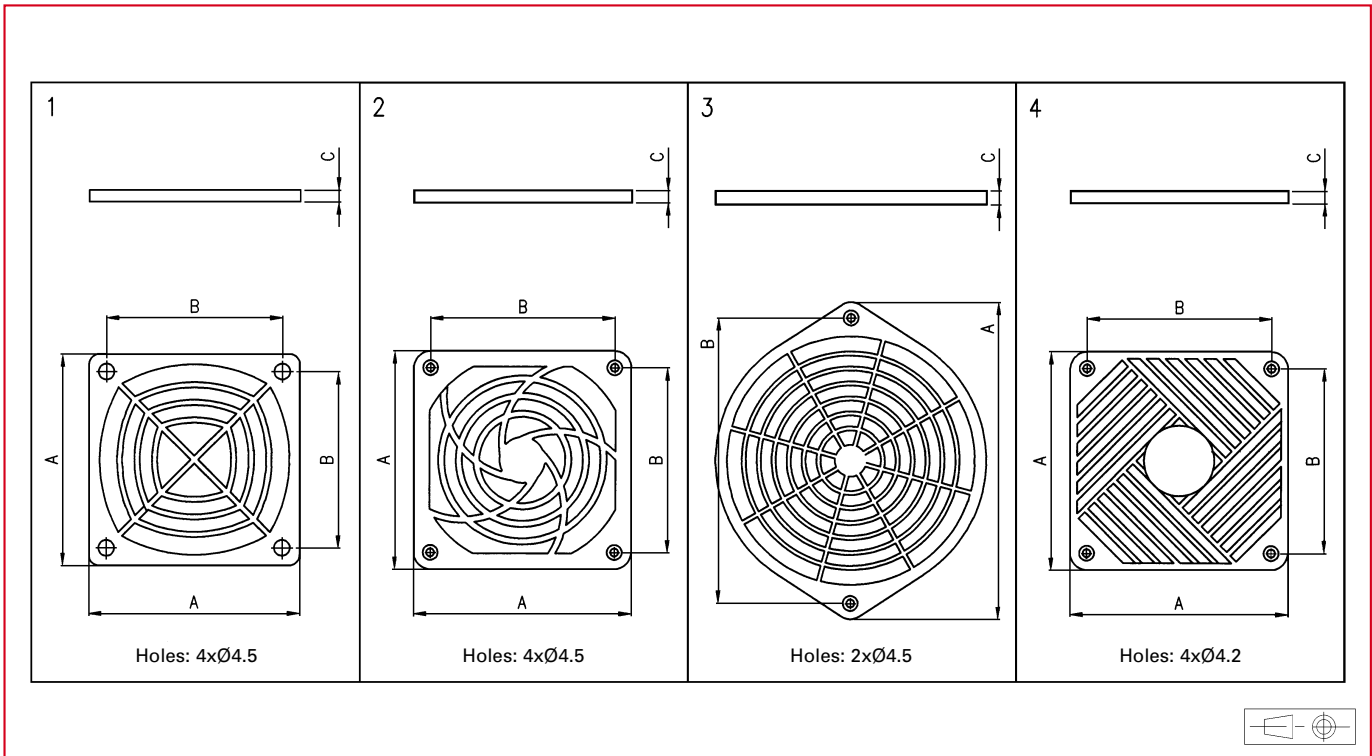


### BENEFITS:

- Very resistant
- Careful finish

**MATERIAL:** Plastic UL 94 V0



Non contractual document. Specifications are subject to change without prior notice. Pictures for information only. Edition N°2 / 01.

Part number	Model	Dimensions (mm)			Can be used as spare parts of plastic filters part number	Fans dimensions
		A	B	C		
PFG-60	1	60	50	6,6	F60/T102	60 x 60
PFG-80	2	80	71,5	6,6	F80/T102	80 x 80
PFG-92	2	92	82,5	7,1	F90/T102	92 x 92
PFG-120	2	117,4	105	7,1	F120/T102	120 x 120
120-63	4	120	105	6	F120/T111	120 x 120
PFG-172	3	180,3	162	7,9	F172/T102	172 x 150