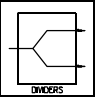


PD & PDB-40 Series 0° POWER DIVIDERS/COMBINERS

1 to 500 MHz / 4-Way / Uniform Phase & Ampli. Bal. / Low Insert. Loss / 50 & 75 Ohm Units / BNC



PRINCIPAL SPECIFICATIONS

Model Number	Frequency Range, MHz	Frequency Performance, MHz	Isolation, dB,			Insertion Loss, dB,		Phase Balance		Amplitude Bal., dB,		VSWR (In/Output)		Input Power† W, Max.
			Min.	Typ.	Max.	Typ.	Max.	Typ.	Max.	Typ.	Max.	Typ.		
PD-40-100	1 - 200	1 - 100	30	35	1.0	0.5	3°	1°	0.2	0.1	1.3:1	1.2:1	2	
		100 - 200	20	30	1.2	0.8	4°	2°	0.3	0.2	1.5:1	1.3:1		
PDB-40-100 (75Ω Model)	1 - 200	1 - 100	30	35	1.0	0.5	3°	1°	0.2	0.1	1.3:1	1.2:1	2	
		100 - 200	20	30	1.2	0.8	4°	2°	0.3	0.2	1.5:1	1.3:1		
PD-40-250	10 - 500	10 - 500	25	30	1.25	0.8	3°	2°	0.3	0.2	1.35:1	1.2:1	2 W	

†CW power input when used as power divider with 1.2:1 VSWR_{out})

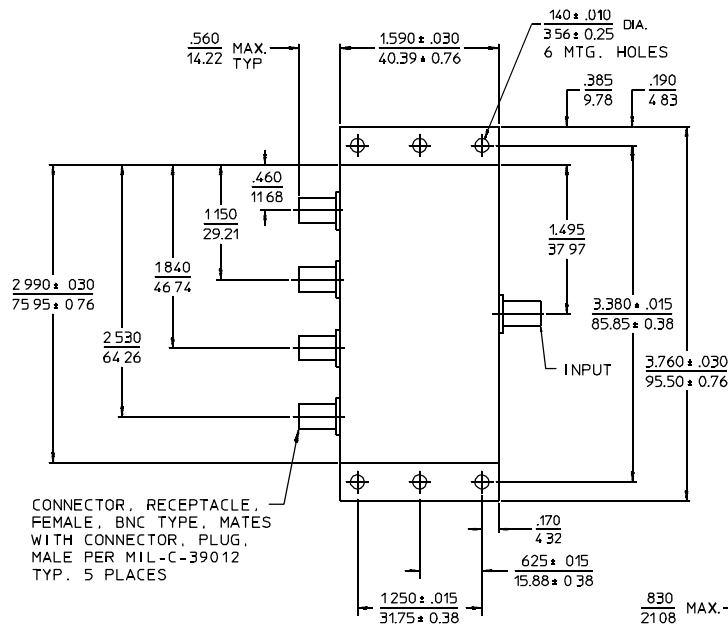
General Notes:

1. The PD-40 and PDB-40 series of 4-way power dividers/combiners use lumped element circuits for broadband performance and high output port isolation.

GENERAL SPECIFICATIONS

Coupling: - 6 dB nom.
 Impedance: 50 Ω nom.
 Internal Load Dissipation: 250 mW max.
 Operating Temperature: - 55° to +85°C

Package Outline



CONNECTOR, RECEPTACLE, FEMALE, BNC TYPE, MATES WITH CONNECTOR, PLUG, MALE PER MIL-C-39012 TYP. 5 PLACES

NOTES:

1. Tolerance on 3 place decimals ±.020(.51) except as noted.
2. Dimensions in inches over mm.
3. Weight, nominal: 2.5 oz. (100 g).

22Feb96