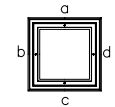


- NOTES :
1. MATERIAL - PP8.
 2. ALL DIMENSIONS ARE IN MILLIMETERS.
 3. TOLERANCES - X.X=±0.25
- X.XX=±0.13
UNLESS OTHERWISE SPECIFIED.
 4. ESD - SURFACE RESISTIVITY
- 10⁵ TO 10¹¹ OHMS/SQ.
 5. FOR PACKAGE - 1.4 MM THICKNESS
 6. PART NO. : ND 2424 1.4 0410 8 REV.A
(PLEASE INDICATE ON PURCHASE ORDER).
 7. POCKET PLANARITY OF SEATING PLANE
IS 0.25MM MAX
MEASURE POINT a,b,c,d



REV.NO.	ECN #	DESCRIPTION	DATE
13	P-01128	ADD NOTE 7	24 MAY 02
12	P-00953	CHANGE FROM TQFP TO QFP	10 AUG 99
11	P-00868	CHANGE SURFACE RESISTIVITY	1 FEB 99
10	P-00640	CHANGE POSITION TOL	4 OCT 97
9	P-00560	CORRECT DRAWING INTERLOCK POSITION	19 OCT 95
8	P-00448	CHANGE "LOW TEMP." TO "75°C MAX."	4 JAN 94

THIS DOCUMENT CONTAINS INFORMATION PROPRIETARY TO PEAK PLASTIC & METAL PRODUCTS INTERNATIONAL LIMITED. REPRODUCTION, DISCLOSURE OR USE OF THIS DOCUMENT IS EXPRESSLY PROHIBITED EXCEPT IF OTHERWISE AGREED UPON IN WRITING.

DRAWN BY : ALLEN	PAGE 1 OF 2
CHECKED BY :	DATE : 24 MAY 02
APPROVED BY :	DATE : 24 MAY 02
APPROVED BY :	DATE : 24 MAY 02
DO NOT SCALE DRAWING	CODE : CSA00641

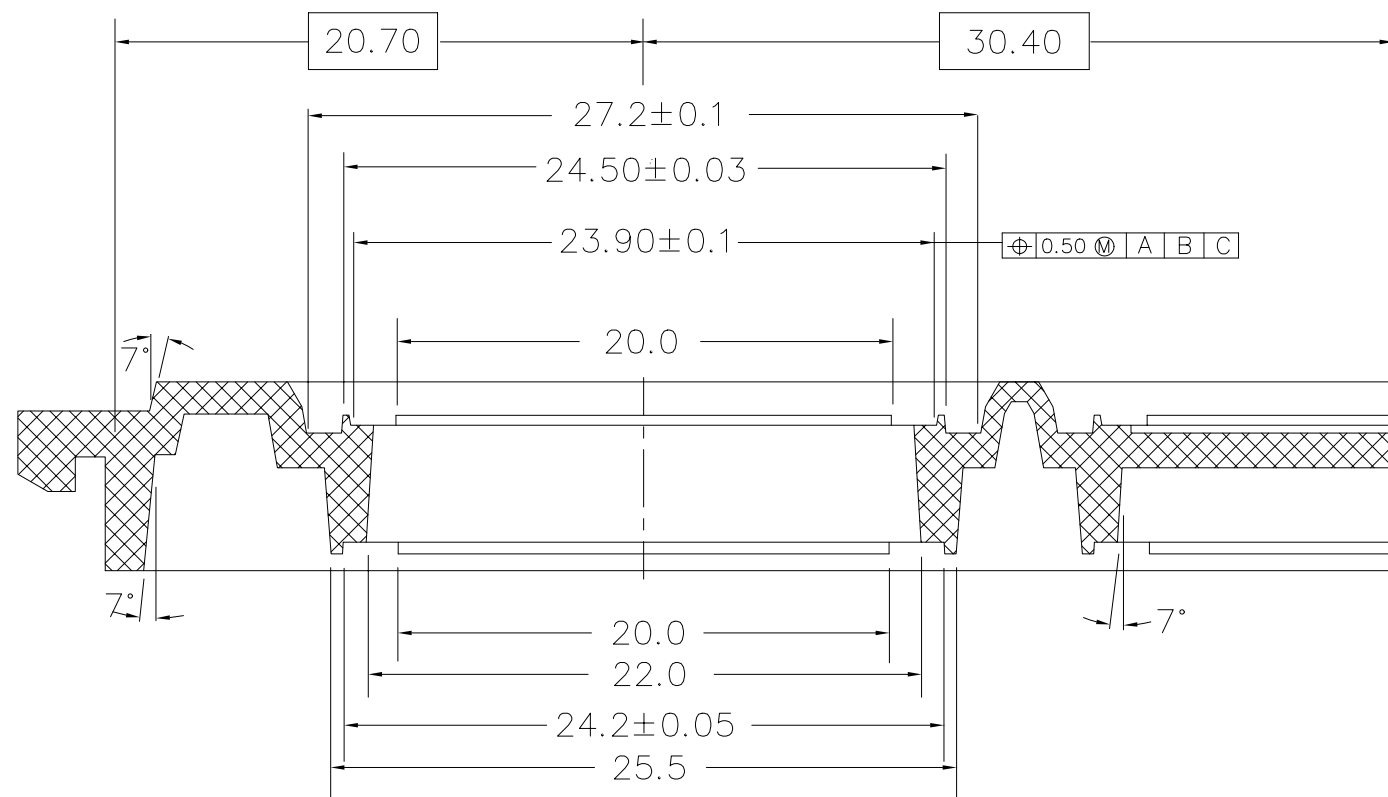
PEAK PEAK PLASTIC & METAL PRODUCTS INT'L LTD.

CUSTOMER : **PEAK**

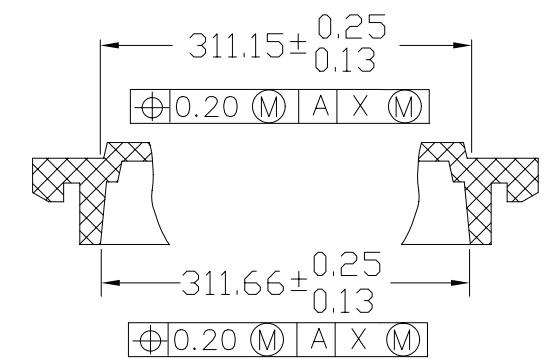
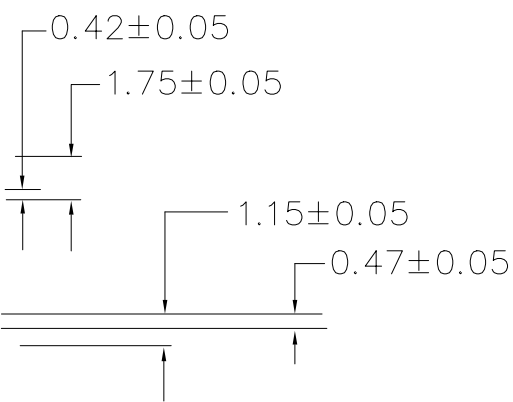
TITLE : ND 2424 1.4 0410 8 REV.A

DWG NO.: ND 2424 1.4 0410 8 REV.A REV. 13

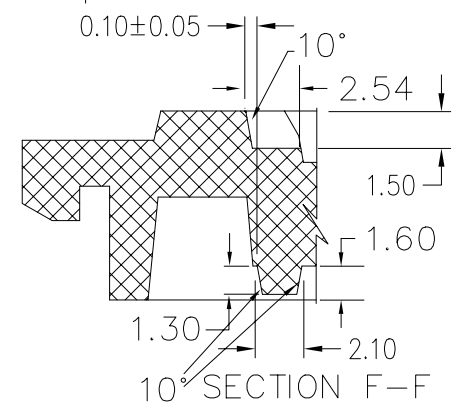
PEAK



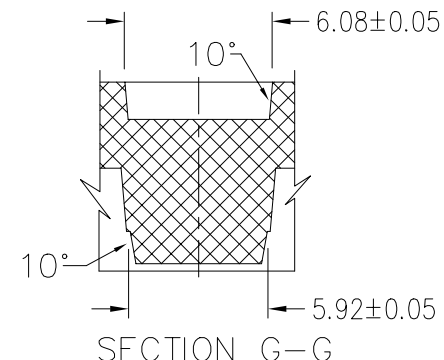
SECTION A-A



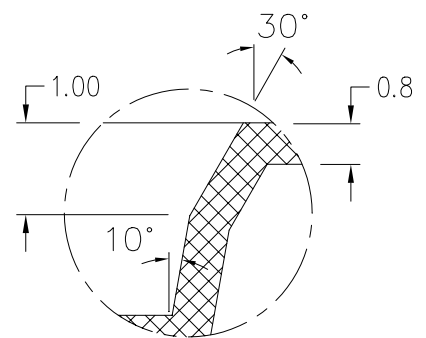
SECTION H-H



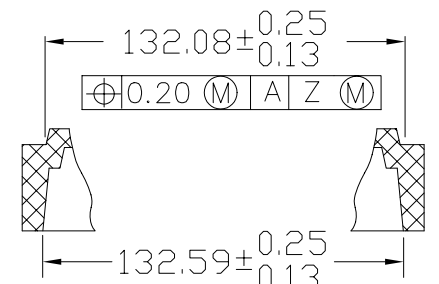
SECTION F-F



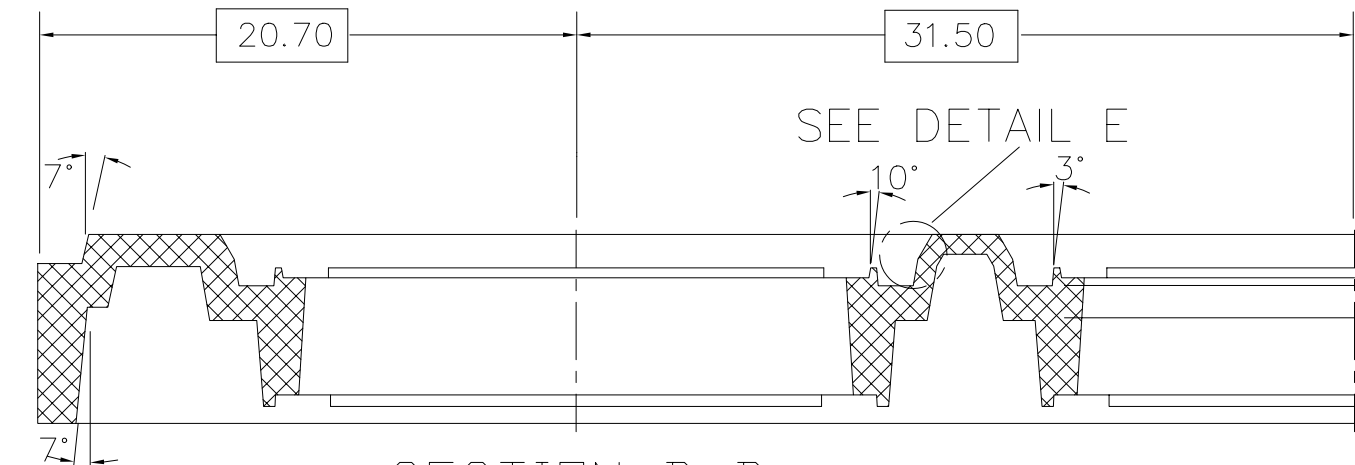
SECTION G-G



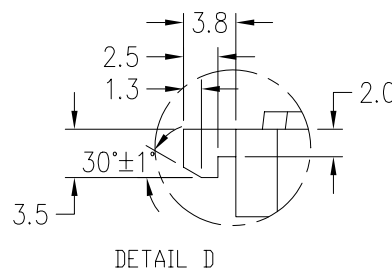
DETAIL E



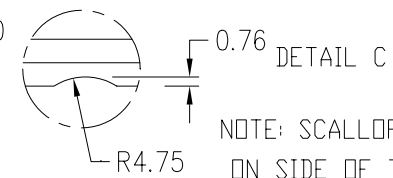
SECTION J-J



SECTION B-B



DETAIL D



NOTE: SCALLOP IS CENTERED ON SIDE OF TRAY



PEAK PLASTIC & METAL PRODUCTS INT'L LTD.

REV.NO.	ECN #	DESCRIPTION	DATE
13	P-01128	ADD NOTE 7	24 MAY 02
12	P-00953	CHANGE FROM TQFP TO QFP	10 AUG 99
11	P-00868	CHANGE SURFACE RESISTIVITY	1 FEB 99
10	P-00640	CHANGE POSITION TOL	4 OCT 97
9	P-00560	CORRECT DRAWING INTERLOCK POSITION	19 OCT 95
8	P-00448	CHANGE "LOW TEMP." TO "75°C MAX."	4 JAN 94

THIS DOCUMENT CONTAINS INFORMATION PROPRIETARY TO PEAK PLASTIC & METAL PRODUCTS INTERNATIONAL LIMITED. REPRODUCTION, DISCLOSURE OR USE OF THIS DOCUMENT IS EXPRESSLY PROHIBITED EXCEPT IF OTHERWISE AGREED UPON IN WRITING.

DRAWN BY : ALLEN	PAGE 2 OF 2
CHECKED BY :	DATE : 24 MAY 02
APPROVED BY :	DATE : 24 MAY 02
APPROVED BY :	DATE : 24 MAY 02
DO NOT SCALE DRAWING	CODE : CSA00641

CUSTOMER :	PEAK
TITLE :	ND 2424 1.4 0410 8 REV.A
DWG NO.:	ND 2424 1.4 0410 8 REV.A
REV. 13	