

# Common Mode Inductor

Designed for Switching Power  
Supply Applications.  
Especially useful in the 100 kHz to  
300kHz Range.

Single Layer Windings with Spacers  
specially designed by Rhombus  
Industries to provide 3mm Creepage  
and Clearance for International  
Safety Compliance.

Parameter	Min.	Typ.	Max.	Units
Inductance	2.0			mH
DCR			20	mΩ
Current			7.5	A <sub>RMS</sub>
Leakage Inductance		30		μH

Rated Voltage 250 VAC

Hipot (Isolation) 1250 VAC

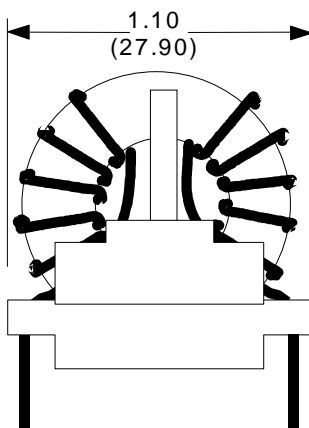
Insulation Resistance 100MΩ

Temperature Rise 60°C Max.

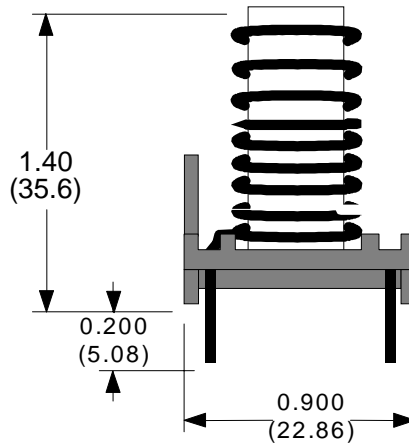
Operating  
Temperature Range -25°C to +85°C

Materials used in construction  
of this component meet or  
exceed UL Class B (130° C)

## Physical Dimensions inches (mm)

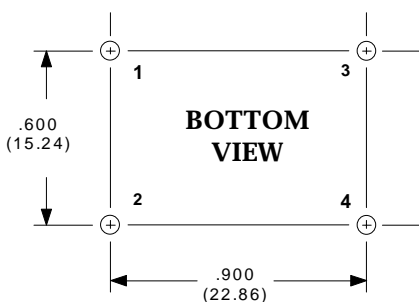
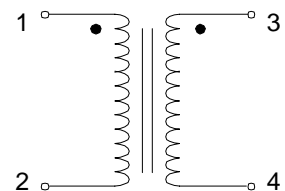


LEAD DIA. : 0.045(1.14)  
SELF LEAD



Flammability: Toroid Mount  
and Creepage Spacer used in  
the production of these units  
meet requirements of UL94-  
VO and IEC 695-2-2 needle  
flame test.

## Schematic Diagram



RHOMBUS P/N: **L-14113**

CUST P/N:

NAME:

DATE: **3/20/01**

SHEET: 1 OF 1