

# 10 BASE-T LOW PASS FILTER

P/N:FS2022B-3 DATA SHEET

## Feature

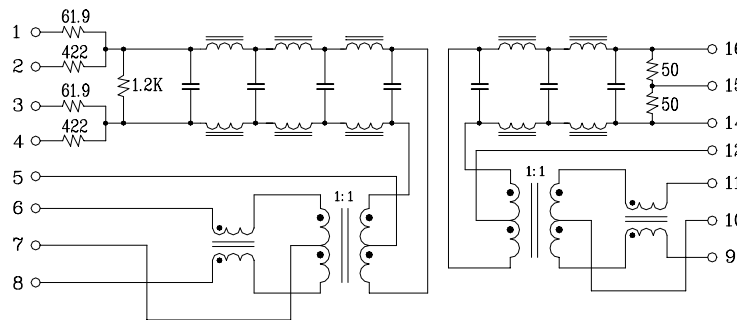


- Operating temperature range: 0°C to +70°C.
- Storage temperature range: -25°C to +125°C.

### Electrical Specifications @ 25°C

Part Number	CUT-OFF Frequency @ -3 dB	Group Delay (ns Max)		Cross talk (dB Min)		HI-POT (Vrms)		
		5-10MHz	1-10 MHz	1-10 MHz	1-10 MHz	1-10 MHz	1-10 MHz	
FS2022B-3	17 MHz ± 0.7MHz	4	4	-45	-45	1500	1500	
Continue								
Part Number	Insertion Loss (dB Max)	Return Loss (dB Min)	Attenuation TX/RX(dB)					Common Mode Rejection (dB Min)
			1-10MHz	1-10MHz	20 MHz	25 MHz	30 MHz	
FS2022B-3	-5	-15	-7/-6	-19/-14	-32/-20	-35/-31	-40/-35	-45

## Schematic



## Mechanical

