



FEATURES

- 400W continuous output power
- IEC EN61000-3-2 compliance
- Remote sense compensation
- AC Power Fail signal
- DC Power Good signal
- Remote Inhibit control
- Droop current share
- I²C interface
- 5V Standby
- Low profile (1U)
- Integrated cooling fan
- Over-voltage protection
- Over-current protection
- Thermal overload protection
- Built-in OR-ing FET

DESCRIPTION

The CEF400-112C is a 400W active power-factor-corrected (PFC) front-end power supply for distributed power architecture (DPA) systems requiring high power density in a 1U low profile package. The built-in OR-ing FET allows the power supply to operate in active current sharing mode for redundant (N+1) operation. Additional features include I²C interface, built-in fan and a 5V standby auxiliary output. The CEF400-112 provides reliable 12V bulk power for Information Technology Equipment and Industrial Applications.



PRODUCT SPECIFICATIONS

INPUT CHARACTERISTICS					
Parameter	Conditions	Min.	Typ.	Max.	Units
Input Voltage Operating Range (AC)		85		264	V _{AC}
Input Frequency		47		63	Hz
Turn-on Input Voltage	Ramp up	76		85	V _{AC}
Turn-off Input Voltage	Ramp down	63		78	
Maximum Input Current		1.75		6.5	Arms
Inrush Current				20	Apk
Power Factor	IEC EN61000-3-2 compliant				
Leakage Current	264 V _{AC} input			0.90	mA

OUTPUT CHARACTERISTICS						
Output Voltage	Parameter	Conditions	Min.	Typ.	Max.	Units
12V	Voltage Set Point Accuracy	17A load	12.08	12.125	12.16	VDC
	Line and Load Regulation		11.75		12.45	
	Ripple Voltage & Noise ^①	20MHz Bandwidth			175	mV p-p
	Rated Output Current		33.3			A
5Vsb	Voltage Set Point Accuracy		4.85	5	5.15	VDC
	Line and Load Regulation		4.85		5.15	
	Ripple Voltage & Noise ^①	20MHz Bandwidth			50	mV p-p
	Rated Output Current		1.3			A

GENERAL					
Parameter	Conditions	Min.	Typ.	Max.	Units
Remote Sense	Sum of +ve & -ve drops		500		mV
Efficiency	Full load, high line		83		%
Turn on Delay			2		s
Transient Response	12V Ramp 1A/μs 33% step			±375	mV
	5Vsb Ramp 1A/μs 33% step			±40	
Current Sharing Accuracy	200-720W load 2 in parallel		45/55		%
Hold-up Time, to 10.8V	400W, 120V _{AC} line	20			ms
Isolation	Output to Chassis-Basic	500			V _{rms}
	Input to Chassis-Basic	1500			
Temperature Coefficient	Full load and 100V _{AC} input			0.02	% / °C

① Ripple and noise are measured with 0.1 μF of ceramic capacitance and 10 μF of tantalum capacitance on each of the power supply outputs. The output noise requirements apply over a 0 Hz to 20 MHz bandwidth. A short coaxial cable with 50Ω scope termination is used.

PROTECTION CHARACTERISTICS						
Parameter	Output Voltage	Conditions	Min.	Typ.	Max.	Units
Over Voltage	12V	Latching	14.065	14.5	14.935	V
Over Current		Auto-restart	36	38	42	A
Short Circuit		The 12V output shall current limit and shutdown during a shorted output condition, and shall automatically restart after the short is removed.				
Over Voltage	5Vsb	Latching	5.6		6	V
Over Current		Auto-restart	1.4	2.1	2.65	A
Over-temperature	Unit	Auto-restart	Unit shall self-protect against excessive internal temperatures and automatically recover.			
Input Undervoltage	No damage will be sustained by operation at voltages below the specified input operating voltage range.					

MONITORING AND CONTROL SIGNALS	
AC Fail	TTL logic signal goes high to denote loss of AC input. Power supply will provide a minimum of 5ms from loss of AC input before this signal goes high. Additionally a minimum of 3ms of holdup will be provided between the signal going high and the output going out of regulation. The signal will not go high when loss of AC input is less than 5ms in duration.
DC OK	TTL logic goes high after the output is in regulation. It goes low when there is loss of regulation.
Remote On/Off	TTL logic input signal disables the output when held low, and enables the output when held high.
Remote Sense	Compensates for 0.5 V lead drop min. Will operate without remote sense connected. Unit is protected against reverse connection of the remote sense lines.

SAFETY - Pending	
EN	EN60950-1
UL	UL60950-1
cUL	CSA C22.2 No. 60950-1
CB	Certificate and report
CE	CE Mark - Comply with LVD
Material Flammability	UL 94V-0

RELIABILITY		
MTBF	Calculated ¹ per MIL-HDBK-217N2, GB, 25°C, Quality Level I	212khrs
	Calculated ¹ per Telcordia SR-332, Issue 1, Method 1, Case 3, GFC, Ground fixed, Controlled, Quality Level I	293khrs

EMISSIONS AND IMMUNITY	
EMI	EN55022 Class B conducted
Electromagnetic Susceptibility	
ESD	IEC/EN 61000-4-2, Level 3
Electromagnetic Field	IEC/EN 61000-4-3, Level 3
Electrical Fast Transients/Burst	IEC/EN 61000-4-4, Level 3
Surge	IEC/EN 61000-4-5, Level 3
RF Conducted Immunity	IEC/EN 61000-4-6, Level 3
Magnetic Immunity	IEC/EN 61000-4-8, Level 3
Voltage Dips, Interruptions	IEC/EN 61000-4-11, Level 3

ENVIRONMENTAL CHARACTERISTICS					
Parameter	Conditions	Min.	Typ.	Max.	Units
Storage Temperature Range	Non-condensing	-40		+ 85	°C
Operating Temperature Range	w/o derating	0		50	
Operating Humidity	Non-condensing	10		90	%
Storage Humidity		5		95	

MECHANICAL	
Dimensions	4.0" × 7.0" × 1.59" (101.6mm × 177.8mm × 40.39mm)
Weight	2.0 lbs (0.91 kgs)
Vibration	Designed to meet IEC 68-2-6 to the levels from IEC 721-3-2
Shock	Designed to meet IEC 68-2-27
Drop	Designed to meet IEC 68-2-31
Tip over	Designed to meet IEC 68-2-31

Notes

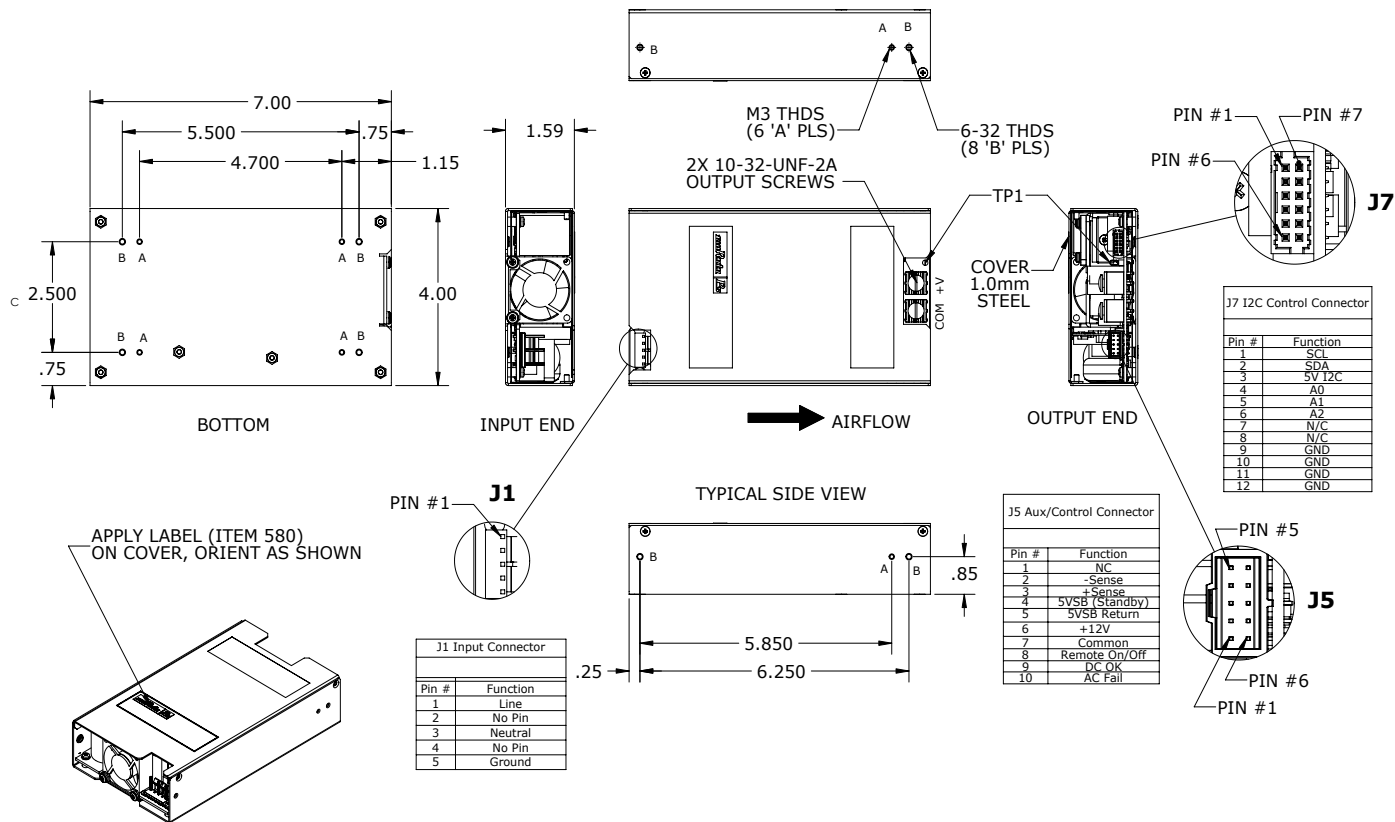
Specifications subject to change without notice.

Specifications are at factory settings.

Warranty: 1 year.

¹Calculated figures exclude the integral fan.

MECHANICAL DIMENSIONS



J1 (Molex #26-62-4051, 5 Position, 3-Pin, .156" Straight Header)

Mating Plug Housing Molex #09-50-8051
Mating Crimp Terminal Molex #08-52-0113

J5 (Molex #90130-3210, 10 Position C-Grid-III Receptacle, .100")

Mating Plug Housing Molex #90142-0012
Mating Crimp Terminal Molex #90119-0121

J7 (Molex #87833-1231, 12 Position 2mm Milli-Grid)

Mating Plug Housing Molex #51110-1260
Mating Crimp Terminal Molex #50394-8100

Murata Power Solutions, Inc.

11 Cabot Boulevard, Mansfield, MA 02048-1151 U.S.A.

Tel: (508) 339-3000 (800) 233-2765 Fax: (508) 339-6356

www.murata-ps.com email: sales@murata-ps.com ISO 9001 REGISTERED

Murata Power Solutions, Inc. makes no representation that the use of its products in the circuits described herein, or the use of other technical information contained herein, will not infringe upon existing or future patent rights. The descriptions contained herein do not imply the granting of licenses to make, use, or sell equipment constructed in accordance therewith. Specifications are subject to change without notice. © 2008 Murata Power Solutions, Inc.

USA: Mansfield (MA), Tel: (508) 339-3000, email: sales@murata-ps.com

Canada: Toronto, Tel: (866) 740-1232, email: toronto@murata-ps.com

UK: Milton Keynes, Tel: +44 (0)1908 615232, email: mk@murata-ps.com

France: Montigny Le Bretonneux, Tel: +33 (0)1 34 60 01 01, email: france@murata-ps.com

Germany: München, Tel: +49 (0)89-544334-0, email: munich@murata-ps.com

Japan: Tokyo, Tel: 3-3779-1031, email: sales_tokyo@murata-ps.com
Osaka, Tel: 6-6354-2025, email: sales_osaka@murata-ps.com

China: Shanghai, Tel: +86 215 027 3678, email: shanghai@murata-ps.com
Guangzhou, Tel: +86 208 221 8066, email: guangzhou@murata-ps.com

Singapore: Parkway Centre, Tel: +65 6348 9096, email: singapore@murata-ps.com