

Ultra Low Power, Stereo CODEC w/Class H Headphone Amp

DIGITAL to ANALOG FEATURES

- ◆ 5 mW Stereo Playback Power Consumption
- ◆ 99 dB Dynamic Range (A-wtd)
- ◆ -86 dB THD+N
- ◆ Digital Signal Processing Engine
 - Bass & Treble Tone Control, De-Emphasis
 - Master Volume Control (+12 to -102 dB in 0.5 dB steps)
 - Soft-Ramp & Zero-Cross Transitions
 - Programmable Peak-Detect and Limiter
 - Beep Generator w/Full Tone Control

Stereo Headphone and Line Amplifiers

- ◆ Step-Down/Inverting Charge Pump
- ◆ Class H Amplifier - Automatic Supply Adj.
 - High Efficiency
 - Low EMI
- ◆ Pseudo-Differential Ground-Centered Outputs
- ◆ High HP Power Output at -75 dB THD+N
 - 2 x 20 mW Into 32 Ω @1.8 V
 - 2 x 20 mW Into 16 Ω @1.8 V
- ◆ 1 V_{RMS} Line Output @1.8 V
- ◆ Analog Vol. Ctl. (+12 to -55 dB in 1 dB steps)
- ◆ Analog In to Analog Out Passthrough
- ◆ Pop and Click Suppression

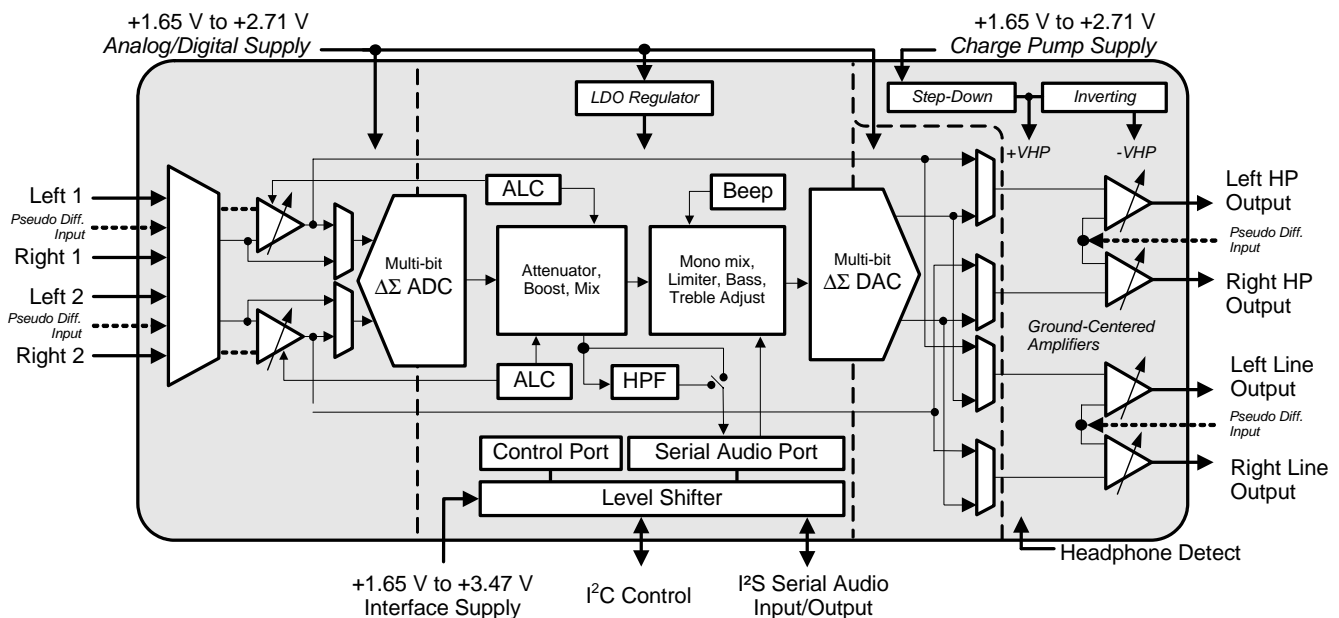
ANALOG to DIGITAL FEATURES

- ◆ 3.5 mW Stereo Record Power Consumption
- ◆ 95 dB Dynamic Range (A-wtd)
- ◆ -87 dB THD+N
- ◆ 2:1 Stereo Input MUX
- ◆ Analog Programmable Gain Amplifier (PGA) (+12 to -6 dB in 0.5 dB steps)
- ◆ +20 dB Boost
- ◆ Programmable Automatic Level Control (ALC)
 - Noise Gate for Noise Suppression
 - Programmable Threshold & Attack/Release Rates
- ◆ Independent ADC Channel Control
- ◆ Digital Vol. Ctl. (0 to -96 dB in 1 dB steps)
- ◆ High-Pass Filter Disable for DC Measurements
- ◆ Pseudo Differential Inputs

SYSTEM FEATURES

- ◆ 12 MHz USB Master Clock Input
- ◆ Low Power Operation
 - Stereo Anlg. Passthrough: 3.3 mW @1.8 V
 - Stereo Rec. and Playback: 8.3 mW @1.8 V
- ◆ Headphone Detect Input

(SYSTEM FEATURES continued on page 2)



SYSTEM FEATURES

- ◆ High Performance 24-bit Converters
 - Multi-bit Delta Sigma Architecture
- ◆ Integrated High Efficient Power Management Reduces Power Consumption
 - Step-Down Charge Pump Improves Efficiency
 - Inverting Charge Pump Accommodates Low System Voltage by Providing Negative Rail for HP/Line Amp
 - LDO Reg. Provides Low Digital Supply Voltage
- ◆ Digital Power Reduction
 - Very Low Oversampling Rate for Converters
 - Bursted Serial Clock Providing 24 Bits per Sample
- ◆ Power Down Management
 - ADC, DAC, CODEC, PGA, DSP
- ◆ Analog & Digital Routing/Mixes
 - Line/Headphone Out = Analog In (ADC Bypassed)
 - Line/Headphone Out = ADC Out
 - Internal Digital Loopback
 - Mono Mixes
- ◆ I²C[®] Control Port
- ◆ I²S Digital Interface Format
- ◆ Flexible Clocking Options
 - Master or Slave Operation
 - High-Impedance Digital Output Select (*used for easy MUXing between CODEC and other data sources*)
 - 8.000, 11.029, 12.000, 16.000, 22.059, 24.000, 32.000, 44.118 and 48.000 kHz Sample Rates

APPLICATIONS

- ◆ HDD & Flash-Based Portable Audio Players
- ◆ MD Players/Recorders
- ◆ PDAs
- ◆ Personal Media Players
- ◆ Portable Game Consoles
- ◆ Digital Voice Recorders
- ◆ Digital Camcorders
- ◆ Digital Cameras
- ◆ Smart Phones

GENERAL DESCRIPTION

The CS42L55 is a highly integrated, 24-bit, ultra-low power stereo CODEC based on multi-bit delta-sigma modulation. Both the ADC and DAC offer many features suitable for low power portable system applications.

The **analog input path** allows independent channel control of a variety of features. The Programmable Gain Amplifier (PGA) provides analog gain with zero cross transitions. The ADC path includes a digital volume attenuator with soft ramp transitions and a programmable ALC and noise gate monitor the input signals and adjust the volume appropriately. An **analog passthrough** also exists, accommodating a lower noise, lower power analog in to analog out path to the headphone and line amplifiers, bypassing the ADC and DAC.

The **DAC output path** includes a fixed-function digital signal processing engine. Tone control provides bass and treble adjustment at four selectable corner frequencies. The digital mixer provides independent volume control for both the ADC output and PCM input signal paths, as well as a master volume control. Digital volume controls may be configured to change on soft ramp transitions while the analog controls can be configured to occur on every zero crossing. The DAC path also includes de-emphasis, limiting functions and a beep generator delivering tones selectable across a range of two full octaves.

The Class H stereo headphone amplifier combines the efficiency of an integrated **step-down and inverting charge pump** with the linearity and low EMI of a Class AB amplifier. A step-down/inverting charge pump operates in two modes: +/-VCP mode or +/- (VCP/2) mode. Based on the amplifier's output signal, internal logic automatically adjusts the output of the charge pump, +VHPFILT and -VHPFILT, to optimize efficiency. With these features, the amplifier delivers a ground-centered output with a large signal swing even at low voltages and eliminates the need for external DC-blocking capacitors.

These features make the CS42L55 the ideal solution for portable applications that require extremely low power consumption in a minimal amount of space.

The CS42L55 is available in a 36-pin QFN package for the Commercial (-40°C to +85°C) grade. The CDB42L55 Customer Demonstration board is also available for device evaluation and implementation suggestions. Please see ["Ordering Information" on page 73](#) for complete details.

TABLE OF CONTENTS

1. PIN DESCRIPTIONS	8
1.1 I/O Pin Characteristics	9
2. TYPICAL CONNECTION DIAGRAM	10
3. CHARACTERISTIC AND SPECIFICATION TABLES	11
RECOMMENDED OPERATING CONDITIONS	11
ABSOLUTE MAXIMUM RATINGS	11
ANALOG INPUT CHARACTERISTICS	12
ADC DIGITAL FILTER CHARACTERISTICS	13
HP OUTPUT CHARACTERISTICS	14
LINE OUTPUT CHARACTERISTICS	15
ANALOG PASSTHROUGH CHARACTERISTICS	16
COMBINED DAC INTERPOLATION & ON-CHIP ANALOG FILTER RESPONSE	16
SWITCHING SPECIFICATIONS - SERIAL PORT	17
SWITCHING SPECIFICATIONS - CONTROL PORT	18
POWER SUPPLY REJECTION (PSRR) CHARACTERISTICS	19
DIGITAL INTERFACE SPECIFICATIONS & CHARACTERISTICS	19
POWER CONSUMPTION - ALL SUPPLIES = 1.8 V	20
POWER CONSUMPTION - ALL SUPPLIES = 2.5 V	21
4. APPLICATIONS	22
4.1 Overview	22
4.1.1 Basic Architecture	22
4.1.2 Line Inputs	22
4.1.3 Line and Headphone Outputs (Class H, Ground-Centered Amplifiers)	22
4.1.4 Fixed-Function DSP Engine	22
4.1.5 Beep Generator	22
4.1.6 Power Management	22
4.2 Analog Inputs	23
4.2.1 Pseudo-Differential Inputs	24
4.2.2 Automatic Level Control (ALC)	24
4.3 Analog In to Analog Out Passthrough	25
4.4 Analog Outputs	26
4.5 Class H Amplifier	27
4.5.1 Power Control Options	27
4.5.1.1 Standard Class AB Operation (Mode 01 and 10)	28
4.5.1.2 Adapted to Volume Settings (Mode 00)	28
4.5.1.3 Adapted to Output Signal (Mode 11)	29
4.5.2 Power Supply Transitions	29
4.5.3 Efficiency	31
4.6 Beep Generator	31
4.7 Limiter	32
4.8 Serial Port Clocking	34
4.9 Digital Interface Format	34
4.10 Initialization	34
4.11 Recommended DAC to HP or Line Power-Up Sequence (Playback)	35
4.11.1 Recommended Power-Down Sequence	36
4.12 Recommended PGA to HP or Line Power-Up Sequence (Analog Passthrough)	36
4.12.1 Recommended Power-Down Sequence	36
4.13 Required Initialization Settings	37
4.14 Control Port Operation	38
4.14.1 I ² C Control	38
4.14.2 Memory Address Pointer (MAP)	39
4.14.2.1 Map Increment (INCR)	39

5. REGISTER QUICK REFERENCE	40
6. REGISTER DESCRIPTION	42
6.1 Fab I.D. and Revision Register (Address 01h) (Read Only)	42
6.1.1 Chip Revision (Read Only)	42
6.2 Power Control 1 (Address 02h)	42
6.2.1 Power Down ADC Charge Pump	42
6.2.2 Power Down ADC x	42
6.2.3 Power Down	42
6.3 Power Control 2 (Address 03h)	43
6.3.1 Headphone Power Control	43
6.3.2 Line Power Control	43
6.4 Clocking Control 1 (Address 04h)	43
6.4.1 Master/Slave Mode	43
6.4.2 SCLK Polarity	43
6.4.3 SCLK Equals MCLK	44
6.4.4 MCLK Divide By 2	44
6.4.5 MCLK Disable	44
6.5 Clocking Control 2 (Address 05h)	44
6.5.1 Speed Mode	44
6.5.2 32 kHz Sample Rate Group	45
6.5.3 Internal MCLK/LRCK Ratio	45
6.6 Class H Power Control (Address 06h)	45
6.6.1 Adaptive Power Adjustment	45
6.7 Miscellaneous Control (Address 07h)	45
6.7.1 Digital MUX	45
6.7.2 Analog Zero Cross	46
6.7.3 Digital Soft Ramp	46
6.7.4 Freeze Registers	46
6.8 ADC, Line, HP MUX (Address 08h)	46
6.8.1 ADC x Input Select	46
6.8.2 Line Input Select	47
6.8.3 Headphone Input Select	47
6.9 HPF Control (Address 09h)	47
6.9.1 ADCx High-Pass Filter	47
6.9.2 ADCx High-Pass Filter Freeze	47
6.9.3 HPF x Corner Frequency	47
6.10 Misc. ADC Control (Address 0Ah)	48
6.10.1 ADC Channel B=A	48
6.10.2 PGA Channel B=A	48
6.10.3 Digital Sum	48
6.10.4 Invert ADC Signal Polarity	48
6.10.5 ADC Mute	48
6.11 PGA x MUX, Volume:	
PGA A (Address 0Bh) & PGA B (Address 0Ch)	49
6.11.1 Boostx	49
6.11.2 PGA x Input Select	49
6.11.3 PGAx Volume	49
6.12 ADCx Attenuator Control:	
ADCAATT (Address 0Dh) & ADCBATT (Address 0Eh)	50
6.12.1 ADCx Volume	50
6.13 Playback Control 1 (Address 0Fh)	50
6.13.1 Power Down DSP	50
6.13.2 HP/Line De-Emphasis	50
6.13.3 Playback Channels B=A	50

6.13.4 Invert PCM Signal Polarity	51
6.13.5 Master Playback Mute	51
6.14 ADCx Mixer Volume:	
ADCA (Address 10h) & ADCB (Address 11h)	51
6.14.1 ADC Mixer Channel x Mute	51
6.14.2 ADC Mixer Channel x Volume	51
6.15 PCMx Mixer Volume:	
PCMA (Address 12h) & PCMB (Address 13h)	52
6.15.1 PCM Mixer Channel x Mute	52
6.15.2 PCM Mixer Channel x Volume	52
6.16 Beep Frequency & On Time (Address 14h)	53
6.16.1 Beep Frequency	53
6.16.2 Beep On Time	54
6.17 Beep Volume & Off Time (Address 15h)	54
6.17.1 Beep Off Time	54
6.17.2 Beep Volume	55
6.18 Beep & Tone Configuration (Address 16h)	55
6.18.1 Beep Configuration	55
6.18.2 Treble Corner Frequency	55
6.18.3 Bass Corner Frequency	56
6.18.4 Tone Control Enable	56
6.19 Tone Control (Address 17h)	56
6.19.1 Treble Gain	56
6.19.2 Bass Gain	56
6.20 Master Volume Control:	
MSTA (Address 18h) & MSTB (Address 19h)	57
6.20.1 Master Volume Control	57
6.21 Headphone Volume Control:	
HPA (Address 1Ah) & HPB (Address 1Bh)	57
6.21.1 Headphone Channel x Mute	57
6.21.2 Headphone Volume Control	57
6.22 Line Volume Control:	
LINEA (Address 1Ch) & LINEB (Address 1Dh)	58
6.22.1 Line Channel x Mute	58
6.22.2 Line Volume Control	58
6.23 Analog Input Advisory Volume (Address 1Eh)	59
6.23.1 Analog Input Advisory Volume	59
6.24 Digital Input Advisory Volume (Address 1Fh)	59
6.24.1 Digital Input Advisory Volume	59
6.25 ADC & PCM Channel Mixer (Address 20h)	60
6.25.1 PCM Mix Channel Swap	60
6.25.2 ADC Mix Channel Swap	60
6.26 Limiter Min/Max Thresholds (Address 21h)	60
6.26.1 Limiter Maximum Threshold	60
6.26.2 Limiter Cushion Threshold	61
6.27 Limiter Control, Release Rate (Address 22h)	61
6.27.1 Peak Detect and Limiter	61
6.27.2 Peak Signal Limit All Channels	61
6.27.3 Limiter Release Rate	62
6.28 Limiter Attack Rate (Address 23h)	62
6.28.1 Limiter Attack Rate	62
6.29 ALC Enable & Attack Rate (Address 24h)	62
6.29.1 ALCx	62
6.29.2 ALC Attack Rate	63

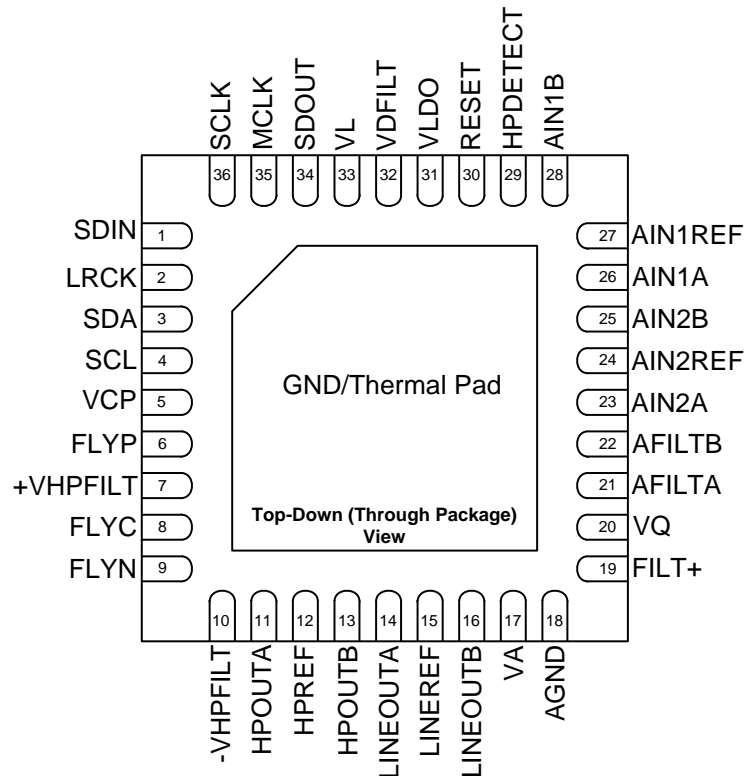
6.30 ALC Release Rate (Address 25h)	63
6.30.1 ALC Release Rate	63
6.31 ALC Threshold (Address 26h)	64
6.31.1 ALC Maximum Threshold	64
6.31.2 ALC Minimum Threshold	64
6.32 Noise Gate Control (Address 27h)	64
6.32.1 Noise Gate All Channels	64
6.32.2 Noise Gate Enable	65
6.32.3 Noise Gate Threshold and Boost	65
6.32.4 Noise Gate Delay Timing	65
6.33 ALC and Limiter Soft Ramp, Zero Cross Disables (Address 28h)	65
6.33.1 ALCx Soft Ramp Disable	65
6.33.2 ALCx Zero Cross Disable	65
6.33.3 Limiter Soft Ramp Disable	66
6.34 Status (Address 29h) (Read Only)	66
6.34.1 HPDETECT Pin Status (Read Only)	66
6.34.2 Serial Port Clock Error (Read Only)	66
6.34.3 DSP Engine Overflow (Read Only)	66
6.34.4 MIXx Overflow (Read Only)	66
6.34.5 ADCx Overflow (Read Only)	67
6.35 Charge Pump Frequency (Address 2Ah)	67
6.35.1 Charge Pump Frequency	67
7. PCB LAYOUT CONSIDERATIONS	68
7.1 Power Supply	68
7.2 Grounding	68
7.3 QFN Thermal Pad	68
8. ANALOG VOLUME NON-LINEARITY (DNL & INL)	69
9. ADC & DAC DIGITAL FILTERS	70
10. PARAMETER DEFINITIONS	71
11. PACKAGE DIMENSIONS	72
THERMAL CHARACTERISTICS	72
12. ORDERING INFORMATION	73
13. REFERENCES	73
14. REVISION HISTORY	73

LIST OF FIGURES

Figure 1. Typical Connection Diagram	10
Figure 2. CMRR Test Configuration	12
Figure 3. HP Output Test Configuration	15
Figure 4. Line Output Test Configuration	15
Figure 5. Serial Port Timing (Slave Mode)	17
Figure 6. Serial Port Timing (Master Mode)	17
Figure 7. I ² C Control Port Timing	18
Figure 8. Power Consumption Test Configuration	19
Figure 9. Analog Input Signal Flow	23
Figure 10. Stereo Pseudo-Differential Input	24
Figure 11. ALC Operation	25
Figure 12. DSP Engine Signal Flow	26
Figure 13. Analog Output Stage	27
Figure 14. Adaptive Mode 00	28
Figure 15. VHPFILT Transitions	30
Figure 16. VHPFILT Hysteresis	30
Figure 17. Class H Power to Load vs. Power from VCP Supply	31

Figure 18.Beep Configuration Options	32
Figure 19.Peak Detect & Limiter	33
Figure 20.I ² S Format	34
Figure 21.Control Port Timing, I ² C Write	38
Figure 22.Control Port Timing, I ² C Read	38
Figure 23.PGA Step Size vs. Volume Setting	69
Figure 24.PGA Output Volume vs. Volume Setting	69
Figure 25.HP/Line Step Size vs. Volume Setting	69
Figure 26.HP/Line Output Volume vs. Volume Setting	69
Figure 27.ADC Passband Ripple	70
Figure 28.ADC Stopband Rejection	70
Figure 29.ADC Transition Band	70
Figure 30.ADC Transition Band Detail	70
Figure 31.DAC Passband Ripple	70
Figure 32.DAC Stopband	70
Figure 33.DAC Transition Band	70
Figure 34.DAC Transition Band (Detail)	70

1. PIN DESCRIPTIONS



Pin Name	#	Pin Description
SDIN	1	Serial Audio Data Input (Input) - Input for two's complement serial audio data.
LRCK	2	Left Right Clock (Input/Output) - Determines which channel, Left or Right, is currently active on the serial audio data lines.
SDA	3	Serial Control Data (Input/Output) - Serial data for the I ² C serial control port.
SCL	4	Serial Control Port Clock (Input) - Serial clock for the I ² C serial control port.
VCP	5	Step-Down Charge Pump Power (Input) - Power supply for the step-down charge pump.
FLYP	6	Charge Pump Cap Positive Node (Output) - Positive node for the step-down charge pump's flying capacitor.
+VHPFILT	7	Step-Down Charge Pump Filter Connection (Output) - Power supply from the step-down charge pump that provides the positive rail for the headphone and line amplifiers
FLYC	8	Charge Pump Cap Common Node (Output) - Common positive node for the step-down and inverting charge pumps' flying capacitors.
FLYN	9	Charge Pump Cap Negative Node (Output) - Negative node for the inverting charge pump's flying capacitor.
-VHPFILT	10	Inverting Charge Pump Filter Connection (Output) - Power supply from the inverting charge pump that provides the negative rail for the headphone and line amplifiers.
HPOUTA HPOUTB	11 13	Headphone Audio Output (Output) - The full-scale output level is specified in the HP Output Characteristics specification table
HPREF	12	Pseudo Diff. Headphone Output Reference (Input) - Ground reference for the headphone amplifiers
LINEOUTA LINEOUTB	14 16	Line Audio Output (Output) - The full-scale output level is specified in the Line Output Characteristics specification table
LINEREF	15	Pseudo Diff. Line Output Reference (Input) - Ground reference for the line amplifiers.

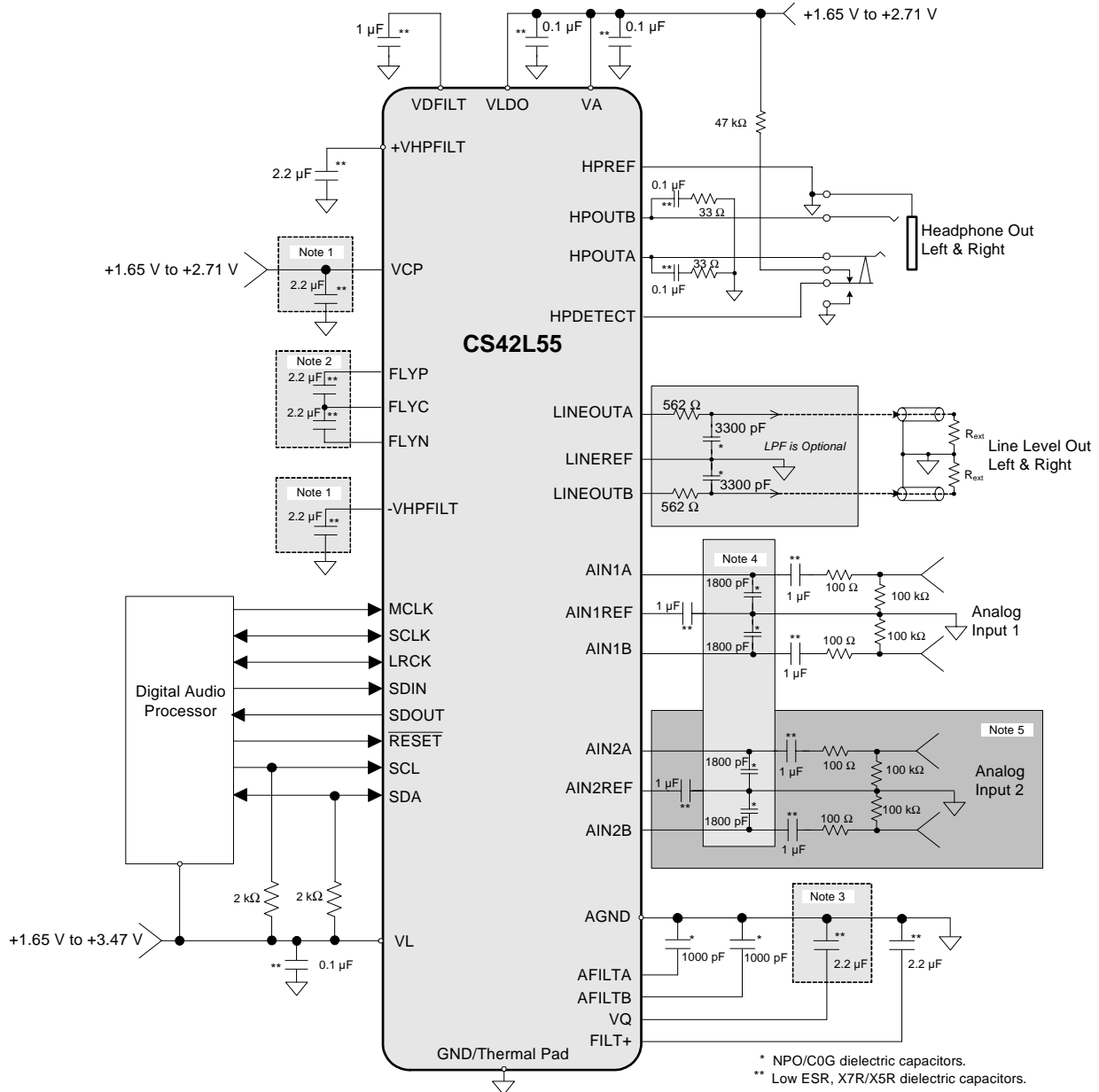
VA	17	Analog Power (Input) - Power supply for the internal analog section.
AGND	18	Analog Ground (Input) - Ground reference for the internal analog section.
FILT+	19	Positive Voltage Reference (Output) - Positive reference voltage for the internal sampling circuits.
VQ	20	Quiescent Voltage (Output) - Filter connection for the internal quiescent voltage.
AFILTA	21	Antialias Filter Connection (Output) - Antialias filter connection for the ADC inputs.
AFILTB	22	
AIN2A	23	Analog Input (Input) - The full-scale level is specified in the Analog Input Characteristics specification table.
AIN2B	25	
AIN1A	26	
AIN1B	28	
AIN2REF	24	Pseudo Diff. Analog Input Reference (Input) - Ground reference for the programmable gain amplifiers (PGA).
AIN1REF	27	
HPDETECT	29	Headphone Detect (Input) - Powers down the left and/or right channel of the line and/or headphone outputs as described in “Headphone Power Control” on page 43 and “Line Power Control” on page 43 .
RESET	30	Reset (Input) - The device enters a low power mode when this pin is driven low.
VLDO	31	Low Dropout Regulator (LDO) Power (Input) - Power supply for the LDO regulator.
VDFILT	32	Low Dropout Regulator (LDO) Filter Connection (Output) - Power supply from the LDO regulator that provides the low voltage power to the digital section.
VL	33	Digital Interface Power (Input) - Determines the required signal level for the serial audio interface and I ² C control port.
SDOUT	34	Serial Audio Data Output (Output) - Output for two's complement serial audio data.
MCLK	35	Master Clock (Input) - Clock source for the delta-sigma modulators.
SCLK	36	Serial Clock (Input/Output) - Serial clock for the serial audio interface.
GND/ Thermal Pad	-	Ground reference for the internal charge pump and digital section; thermal relief pad. See “QFN Thermal Pad” on page 68 for more information.

1.1 I/O Pin Characteristics

Input and output levels and associated power supply voltage are shown in the table below. Logic levels should not exceed the corresponding power supply voltage.

Power Supply	Pin Name	I/O	Internal Connections	Driver	Receiver
VL	RESET	Input	-	-	1.8 V - 3.3 V, with Hysteresis
	SCL	Input	-	-	1.8 V - 3.3 V, with Hysteresis
	SDA	Input/Output	-	CMOS/Open Drain	1.8 V - 3.3 V, with Hysteresis
	MCLK	Input	-	-	1.8 V - 3.3 V
	LRCK	Input/Output	Weak Pull-up (~1 MΩ)	1.8 V - 3.3 V, CMOS	1.8 V - 3.3 V
	SCLK	Input/Output	Weak Pull-up (~1 MΩ)	1.8 V - 3.3 V, CMOS	1.8 V - 3.3 V
	SDOUT	Output	-	1.8 V - 3.3 V, CMOS	1.8 V - 3.3 V
VA	SDIN	Input	-	-	1.8 V - 3.3 V
	HPDETECT	Input	-	-	1.8 V - 2.5 V, with Hysteresis

2. TYPICAL CONNECTION DIAGRAM


Notes:

1. The headphone amplifier's output power and distortion are rated using the nominal capacitance shown. Larger capacitance reduces the ripple on the internal amplifiers' supplies and in turn reduces the amplifier's distortion at high output power levels. Smaller capacitance may not sufficiently reduce ripple to achieve the rated output power and distortion. Since the actual value of typical X7R/X5R ceramic capacitors deviates from the nominal value by a percentage specified in the manufacturer's data sheet, capacitors should be selected based on the minimum output power and maximum distortion required.
2. The headphone amplifier's output power and distortion are rated using the nominal capacitance shown and using the default charge pump switching frequency. The required capacitance follows an inverse relationship with the charge pump's switching frequency. When increasing the switching frequency, the capacitance may decrease; when lowering the switching frequency, the capacitance must increase. Since the actual value of typical X7R/X5R ceramic capacitors deviates from the nominal value by a percentage specified in the manufacturer's data sheet, capacitors should be selected based on the minimum output power, maximum distortion and maximum charge pump switching frequency required.
3. Additional bulk capacitance may be added to improve PSRR at low frequencies.
4. These capacitors serve as a charge reservoir for the internal switched capacitor ADC modulators and should be placed as close as possible to the inputs. They are only needed when the PGA (Programmable Gain Amplifier) is bypassed.
5. Input pairs (such as AIN2A, AIN2REF and AIN2B) may be left floating if they are not used.

Figure 1. Typical Connection Diagram

3. CHARACTERISTIC AND SPECIFICATION TABLES

RECOMMENDED OPERATING CONDITIONS

GND = AGND = 0 V, all voltages with respect to ground.

Parameters	Symbol	Min	Max	Units
DC Power Supply				
Analog	VA	1.65	2.71	V
Charge Pump	VCP	1.65	VA	V
LDO Regulator for Digital	VLDO	1.65	2.71	V
Serial/Control Port Interface	VL	1.65	3.47	V
Ambient Temperature	Commercial - CNZ T_A	-40	+85	°C

ABSOLUTE MAXIMUM RATINGS

GND = AGND = 0 V; all voltages with respect to ground.

Parameters	Symbol	Min	Max	Units
DC Power Supply	Analog, Charge Pump, LDO Serial/Control Port Interface VA, VCP, VLDO VL	-0.3 -0.3	3.0 4.0	V V
Input Current	(Note 2) I_{in}	-	±10	mA
Analog Input Voltage	(Note 3) V_{IN}	AGND-0.7	VA+0.7	V
Digital Input Voltage	(Note 3) V_{IND}	-0.3	VL+0.4	V
Ambient Operating Temperature (power applied)	T_A	-50	+115	°C
Storage Temperature	T_{stg}	-65	+150	°C

WARNING: Operation at or beyond these limits may result in permanent damage to the device. Normal operation is not guaranteed at these extremes.

Notes:

1. Due to the existence of parasitic body diodes between VCP and VA, current flows from VCP to VA whenever the VA power supply is lower than VCP. This causes a “back-powering” effect on the VA power supply rails internal to the part. Hence VA should be maintained at an equal or greater voltage than VCP at all times. While “back-powering” does not have any adverse effects on device operation with respect to performance and reliability, it does lead to extra power consumption and therefore should be avoided.
2. Any pin except supplies. Transient currents of up to ±100 mA on the analog input pins will not cause SCR latch-up.
3. The maximum over/under voltage is limited by the input current.

ANALOG INPUT CHARACTERISTICS

Test Conditions (unless otherwise specified): Connections to the CS42L55 are shown in the [Figure 1. "Typical Connection Diagram" on page 10](#); Input is a 1 kHz sine wave through the passive input filter, PGA = 0 dB; All Supplies = VA; GND = AGND = 0 V; $T_A = +25^\circ\text{C}$; Measurement bandwidth is 20 Hz to 20 kHz. Sample Frequency = 48 kHz.

Parameter (Note 4)		VA = 2.5 V			VA = 1.8 V			Unit
		Min	Typ	Max	Min	Typ	Max	
Analog In to ADC (PGA bypassed)								
Dynamic Range	A-weighted	89	95	-	86	92	-	dB
	unweighted	86	92	-	83	89	-	dB
Total Harmonic Distortion + Noise	-1 dBFS	-	-85	-79	-	-85	-79	dB
	-20 dBFS	-	-72	-	-	-69	-	dB
	-60 dBFS	-	-32	-26	-	-29	-23	dB
Analog In to PGA to ADC								
Dynamic Range								
PGA Setting: 0 dB	A-weighted	88	94	-	85	91	-	dB
	unweighted	85	91	-	82	88	-	dB
PGA Setting: +12 dB	A-weighted	81	87	-	78	84	-	dB
	unweighted	78	84	-	75	81	-	dB
Total Harmonic Distortion + Noise								
PGA Setting: 0 dB	-1 dBFS	-	-87	-81	-	-85	-79	dB
	-60 dBFS	-	-31	-25	-	-28	-22	dB
PGA Setting: +12 dB	-1 dBFS	-	-83	-77	-	-81	-75	dB
Common Mode Rejection (Note 5)		-	40	-	-	40	-	dB
DC Accuracy								
Interchannel Gain Mismatch		-	0.2	-	-	0.2	-	dB
Gain Drift		-	± 100	-	-	± 100	-	ppm/ $^\circ\text{C}$
Offset Error (Note 6)		-	352	-	-	352	-	LSB
Input								
Interchannel Isolation (1 kHz)		-	90	-	-	90	-	dB
HP Amp to Analog Input Isolation	$R_L = 10\text{ k}\Omega$	-	90	-	-	90	-	dB
	$R_L = 16\ \Omega$	-	83	-	-	83	-	dB
Full-scale Input Voltage	ADC	$0.76 \cdot V_A$	$0.80 \cdot V_A$	$0.84 \cdot V_A$	$0.76 \cdot V_A$	$0.80 \cdot V_A$	$0.84 \cdot V_A$	V_{pp}
	PGA (0 dB)	$0.78 \cdot V_A$	$0.82 \cdot V_A$	$0.86 \cdot V_A$	$0.78 \cdot V_A$	$0.82 \cdot V_A$	$0.86 \cdot V_A$	V_{pp}
	PGA (+12 dB)		$0.198 \cdot V_A$			$0.198 \cdot V_A$		V_{pp}
Input Impedance (Note 7)	ADC	-	60	-	-	60	-	$\text{k}\Omega$
	PGA	-	40	-	-	40	-	$\text{k}\Omega$

4. Referred to the typical full-scale voltage. Applies to all THD+N and Dynamic Range values in the table.
5. See test figure shown below.
6. SDOUT Code with HPF_x=1;HPFRZ_x=0.
7. Measured between AIN_{xx} and AGND.

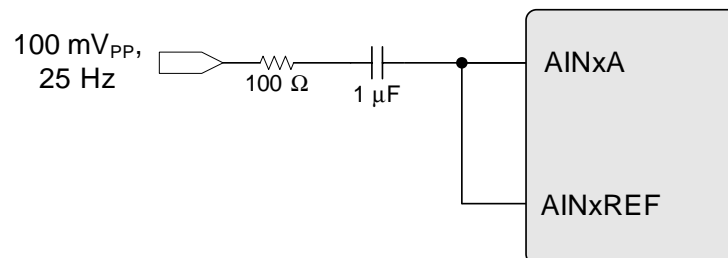


Figure 2. CMRR Test Configuration

ADC DIGITAL FILTER CHARACTERISTICS

Parameter (Note 8)	Min	Typ	Max	Unit
Frequency Response (20 Hz to 20 kHz)	-0.07	-	+0.02	dB
Passband	to -0.05 dB corner	0.421	-	Fs
	to -3 dB corner	0.495	-	Fs
Stopband	0.52	-	-	Fs
Stopband Attenuation	33	-	-	dB
Total Group Delay	-	7.6/Fs	-	s
High-Pass Filter Characteristics (48 kHz Fs) (Note 9)				
Passband	to -3.0 dB corner	1.87	-	Hz
	to -0.05 dB corner	17.15	-	Hz
Passband Ripple	-	-	0.15	dB
Phase Deviation @ 20 Hz	-	5.3	-	Deg
Filter Settling Time (Note 10)	-	10 ⁵ /Fs	-	s

Notes:

8. Response is clock-dependent and will scale with Fs. Note that the response plots (Figures 27 to 30 on page 70) have been normalized to Fs and can be de-normalized by multiplying the X-axis scale by Fs. HPF parameters are for Fs = 48 kHz.
9. Characteristics are based on the default setting in register “HPF Control (Address 09h)” on page 47.
10. Settling time decreases at higher corner frequency settings.

HP OUTPUT CHARACTERISTICS

Test conditions (unless otherwise specified): Connections to the CS42L55 are shown in the “[Typical Connection Diagram](#)” on [page 10](#); Input test signal is a full-scale 997 Hz sine wave; All Supplies = VA, VCP Mode; GND = AGND = 0 V; $T_A = +25^\circ\text{C}$; Measurement bandwidth is 20 Hz to 20 kHz; Sample Frequency = 48 kHz; Test load $R_L = 3\text{ k}\Omega$, $C_L = 150\text{ pF}$ for a Line Load, and test load $R_L = 16\ \Omega$, $C_L = 150\text{ pF}$ for a headphone load. (See [Figure 3](#) on [page 15](#)).

Parameter (Note 11)		VA = 2.5 V			VA = 1.8 V			Unit	
		Min	Typ	Max	Min	Typ	Max		
Line Load $R_L = 3\text{ k}\Omega$ (+2 dB Analog Gain)(Note 12)									
Dynamic Range									
18 to 24-Bit	A-weighted	92	98	-	90	96	-	dB	
	unweighted	89	95	-	87	93	-	dB	
16-Bit	A-weighted	-	96	-	-	94	-	dB	
	unweighted	-	93	-	-	91	-	dB	
Total Harmonic Distortion + Noise									
18 to 24-Bit	0 dB	-	-84	-78	-	-85	-79	dB	
	-20 dB	-	-76	-	-	-74	-	dB	
	-60 dB	-	-36	-30	-	-34	-28	dB	
16-Bit	0 dB	-	-82	-	-	-83	-	dB	
	-20 dB	-	-74	-	-	-72	-	dB	
	-60 dB	-	-34	-	-	-32	-	dB	
Full-scale Output Voltage (Note 13)		1.56•VA	1.64•VA	1.73•VA	1.56•VA	1.64•VA	1.73•VA	V _{PP}	
HP Load $R_L = 16\ \Omega$ (-4 dB Analog Gain)(Note 12)									
Dynamic Range									
18 to 24-Bit	A-weighted	89	95	-	88	94	-	dB	
	unweighted	86	92	-	85	91	-	dB	
16-Bit	A-weighted	-	93	-	-	92	-	dB	
	unweighted	-	90	-	-	89	-	dB	
Total Harmonic Distortion + Noise		-	-75	-69	-	-75	-69	dB	
Full-scale Output Voltage		0.76•VA	0.82•VA	0.88•VA	0.76•VA	0.82•VA	0.88•VA	V _{PP}	
Output Power (Note 13)		-	32	-	-	17	-	mW	
Other Characteristics for $R_L = 16\ \Omega$ or $3\text{ k}\Omega$									
Interchannel Isolation		3 k Ω	-	90	-	-	90	-	dB
	16 Ω	-	-	90	-	-	90	-	dB
Interchannel Gain Mismatch		-	0.1	0.25	-	0.1	0.25	dB	
Output Offset Voltage (Note 14)		DAC to HPOUT	-	0.5	1.0	-	0.5	1.0	mV
Gain Drift		-	± 100	-	-	± 100	-	ppm/ $^\circ\text{C}$	
AC-Load Resistance (R_L)		(Note 14)	16	-	-	16	-	-	Ω
Load Capacitance (C_L)		(Note 14)	-	-	150	-	-	150	pF

LINE OUTPUT CHARACTERISTICS

Test conditions (unless otherwise specified): Connections to the CS42L55 are shown in the “[Typical Connection Diagram](#)” on [page 10](#); Input test signal is a full-scale 997 Hz sine wave; All Supplies = VA, VCP Mode; GND = AGND = 0 V; $T_A = +25\text{ }^\circ\text{C}$; Measurement bandwidth is 20 Hz to 20 kHz; Sample Frequency = 48 kHz; Test load $R_L = 3\text{ k}\Omega$, $C_L = 150\text{ pF}$ (see [Figure 3](#) on [page 15](#)).

Parameter (Note 11)	VA = 2.5 V			VA = 1.8 V			Unit	
	Min	Typ	Max	Min	Typ	Max		
(+2 dB Analog Gain) (Note 12)								
Dynamic Range								
18 to 24-Bit							dB	
	A-weighted	93	99	-	91	97	-	dB
	unweighted	90	96	-	88	94	-	dB
16-Bit							dB	
	A-weighted	-	96	-	-	94	-	dB
	unweighted	-	93	-	-	91	-	dB
Total Harmonic Distortion + Noise								
18 to 24-Bit							dB	
	0 dB	-	-84	-78	-	-86	-80	dB
	-20 dB	-	-76	-	-	-74	-	dB
	-60 dB	-	-36	-30	-	-34	-28	dB
16-Bit							dB	
	0 dB	-	-82	-	-	-84	-	dB
	-20 dB	-	-74	-	-	-72	-	dB
	-60 dB	-	-34	-	-	-32	-	dB
Full-scale Output Voltage (Note 13)							V_{PP}	
		$1.50 \cdot V_A$	$1.58 \cdot V_A$	$1.66 \cdot V_A$	$1.50 \cdot V_A$	$1.58 \cdot V_A$	$1.66 \cdot V_A$	
Other Characteristics								
Interchannel Isolation		-	90	-	-	90	-	dB
Interchannel Gain Mismatch		-	0.1	0.25	-	0.1	0.25	dB
Output Offset Voltage (Note 14)	DAC to LINEOUT	-	0.5	1.0	-	0.2	1.0	mV
Gain Drift		-	± 100	-	-	± 100	-	ppm/ $^\circ\text{C}$
Output Impedance		-	100	-	-	100	-	Ω
AC-Load Resistance (R_L)	(Note 14)	3	-	-	3	-	-	k Ω
Load Capacitance (C_L)	(Note 14)	-	-	150	-	-	150	pF

Notes:

- One-half LSB of triangular PDF dither is added to data.
- The Analog Gain setting (refer to “[Headphone Volume Control](#)” on [page 57](#) or “[Line Volume Control](#)” on [page 58](#)) must be configured as indicated to achieve the specified output characteristics. High gain settings at certain VA and VCP supply levels may cause clipping when the audio signal approaches full-scale, maximum power output.
- VCP settings lower than VA reduces the headroom of the headphone amplifier. As a result, the specified THD+N performance at full-scale output voltage and power may not be achieved.
- See [Figure 3](#) and [Figure 4](#) on [page 15](#). Refer to “[Parameter Definitions](#)” on [page 71](#).

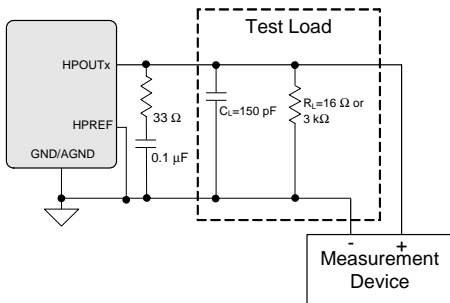


Figure 3. HP Output Test Configuration

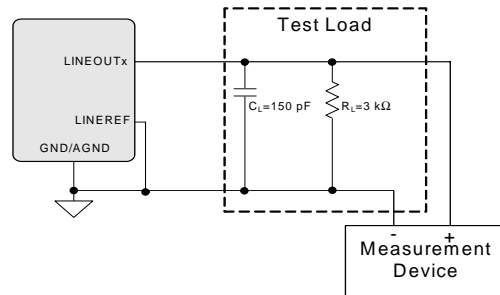


Figure 4. Line Output Test Configuration

ANALOG PASSTHROUGH CHARACTERISTICS

Test Conditions (unless otherwise specified): Connections to the CS42L55 are shown in the “Typical Connection Diagram” on page 10; Input is a 1 kHz sine wave through the passive input filter shown in Figure 1, PGA and HP/Line gain = 0 dB; All Supplies = VA, VCP Mode; GND = AGND = 0 V; T_A = +25 °C; Measurement bandwidth is 20 Hz to 20 kHz. Sample Frequency = 48 kHz.

Parameter		VA = 2.5 V			VA = 1.8 V			Unit
		Min	Typ	Max	Min	Typ	Max	
Analog In to HP Amp (ADC is powered down)								
R_L = 3 kΩ (+2 dB Output Analog Gain)(Note 12)								
Dynamic Range	A-weighted	-	94	-	-	91	-	dB
	unweighted	-	91	-	-	88	-	dB
Total Harmonic Distortion + Noise	-1 dB	-	-70	-	-	-80	-	dB
	-20 dB	-	-71	-	-	-68	-	dB
	-60 dB	-	-31	-	-	-28	-	dB
Full-scale Input Voltage		-	0.80•VA	-	-	0.80•VA	-	Vpp
Full-scale Output Voltage		-	0.93•VA	-	-	0.93•VA	-	Vpp
Passband Ripple			0/-0.3			0/-0.3		dB
R_L = 16 Ω (-4 dB Output Analog Gain)(Note 12)								
Dynamic Range	A-weighted	-	94	-	-	91	-	dB
	unweighted	-	91	-	-	88	-	dB
Total Harmonic Distortion + Noise	-1 dB	-	-70	-	-	-80	-	dB
	-20 dB	-	-71	-	-	-68	-	dB
	-60 dB	-	-31	-	-	-28	-	dB
Full-scale Input Voltage		-	0.80•VA	-	-	0.80•VA	-	Vpp
Output Power (Note 13)		-	12	-	-	6.5	-	mW
Passband Ripple		-	0/-0.3	-	-	0/-0.3	-	dB
Analog In to Line Amp (ADC is powered down)								
R_L = 3 kΩ (+2 dB Output Analog Gain) (Note 12)								
Dynamic Range	A-weighted	-	94	-	-	91	-	dB
	unweighted	-	91	-	-	88	-	dB
Total Harmonic Distortion + Noise	-1 dB	-	-70	-	-	-80	-	dB
	-20 dB	-	-71	-	-	-68	-	dB
	-60 dB	-	-31	-	-	-28	-	dB
Full-scale Input Voltage		-	0.80•VA	-	-	0.80•VA	-	Vpp
Full-scale Output Voltage		-	0.89•VA	-	-	0.89•VA	-	Vpp
Passband Ripple			0/-0.3			0/-0.3		dB

COMBINED DAC INTERPOLATION & ON-CHIP ANALOG FILTER RESPONSE

Parameter (Note 15)		Min	Typ	Max	Unit
Frequency Response 20 Hz to 20 kHz	F _s = 48.000 kHz	-0.04	-	+0.04	dB
	F _s = 44.118 kHz	-0.14	-	+0.14	dB
Passband	to -0.05 dB corner	-	0.48	-	F _s
	to -3 dB corner	-	0.49	-	F _s
Stopband		0.55	-	-	F _s
Stopband Attenuation (Note 16)		49	-	-	dB
Total Group Delay		-	9/F _s	-	s
De-emphasis Error	F _s = 44.118 kHz	-	-	+0.05/-0.25	dB

Notes:

- Response is clock dependent and will scale with F_s. Note that the response plots (Figures 31 to 34 on page 70) have been normalized to F_s and can be de-normalized by multiplying the X-axis scale by F_s.
- Measurement bandwidth is from Stopband to 3 F_s.

SWITCHING SPECIFICATIONS - SERIAL PORT

Inputs: Logic 0 = GND = AGND, Logic 1 = VL, LRCK, SCLK, SDOUT $C_{LOAD} = 15\text{ pF}$.

Parameters	Symbol	Min	Max	Units
RESET pin Low Pulse Width (Note 17)		1	-	ms
MCLK Frequency		(See "Serial Port Clocking" on page 34)		MHz
MCLK Duty Cycle		45	55	%
Slave Mode (Figure 5)				
Input Sample Rate (LRCK)	F_s	(See "Serial Port Clocking" on page 34)		kHz
LRCK Duty Cycle		45	55	%
SCLK Frequency	$1/t_{Ps}$	-	$68 \cdot F_s$	Hz
SCLK Duty Cycle		45	55	%
LRCK Setup Time Before SCLK Rising Edge	$t_{ss}(LK-SK)$	40	-	ns
SDOUT Setup Time Before SCLK Rising Edge	$t_{ss}(SDO-SK)$	20	-	ns
SDOUT Hold Time After SCLK Rising Edge	$t_{hs}(SK-SDO)$	30	-	ns
SDIN Setup Time Before SCLK Rising Edge	$t_{ss}(SD-SK)$	20	-	ns
SDIN Hold Time After SCLK Rising Edge	t_{hs}	20	-	ns
Master Mode (Figure 6)				
Output Sample Rate (LRCK) All Speed Modes	F_s	(See "Serial Port Clocking" on page 34)		Hz
LRCK Duty Cycle		45	55	%
SCLK Frequency SCLK = MCLK mode	$1/t_{Pm}$	-	12.0000	MHz
SCLK Frequency All Other Modes	$1/t_{Pm}$	-	$68 \cdot F_s$	Hz
SCLK Duty Cycle RATIO[1:0] = '11'		45	55	%
SCLK Duty Cycle RATIO[1:0] = '01' (Note 18)		33	66	%
LRCK Time Before SCLK Falling Edge	$t_{sm}(LK-SK)$	-	± 2	ns
SDOUT Setup Time Before SCLK Rising Edge	$t_{sm}(SDO-SK)$	20	-	ns
SDOUT Hold Time After SCLK Rising Edge	$t_{hm}(SK-SDO)$	30	-	ns
SDIN Setup Time Before SCLK Rising Edge	$t_{sm}(SD-SK)$	20	-	ns
SDIN Hold Time After SCLK Rising Edge	t_{hm}	20	-	ns

Notes: 17. After powering up the CS42L55, $\overline{\text{RESET}}$ should be held low after the power supplies and clocks are settled. This specification is valid with the recommended capacitor on VDFILT.

18. The device will periodically extend the SCLK high time to compensate for the fractional MCLK/SCLK ratio.

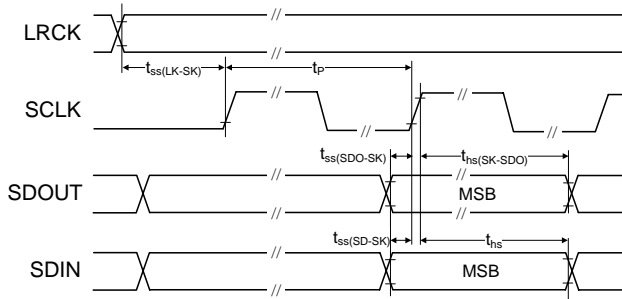


Figure 5. Serial Port Timing (Slave Mode)

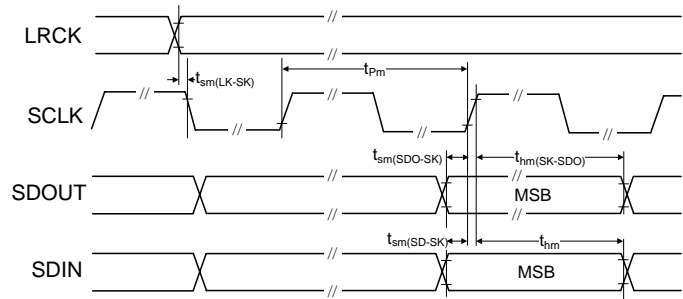


Figure 6. Serial Port Timing (Master Mode)

SWITCHING SPECIFICATIONS - CONTROL PORT

Inputs: Logic 0 = GND = AGND, Logic 1 = VL, SDA $C_L = 30$ pF.

Parameter	Symbol	Min	Max	Unit
SCL Clock Frequency	f_{scl}	-	100	kHz
RESET Rising Edge to Start	t_{irs}	500	-	ns
Bus Free Time Between Transmissions	t_{buf}	4.7	-	μ s
Start Condition Hold Time (prior to first clock pulse)	t_{hdst}	4.0	-	μ s
Clock Low time	t_{low}	4.7	-	μ s
Clock High Time	t_{high}	4.0	-	μ s
Setup Time for Repeated Start Condition	t_{sust}	4.7	-	μ s
SDA Hold Time from SCL Falling (Note 19)	t_{hdd}	0	-	μ s
SDA Setup time to SCL Rising	t_{sud}	250	-	ns
Rise Time of SCL and SDA	t_{rc}	-	1	μ s
Fall Time SCL and SDA	t_{fc}	-	300	ns
Setup Time for Stop Condition	t_{susp}	4.7	-	μ s
Acknowledge Delay from SCL Falling	t_{ack}	300	1000	ns

Notes:

19. Data must be held for sufficient time to bridge the transition time, t_{fc} , of SCL.

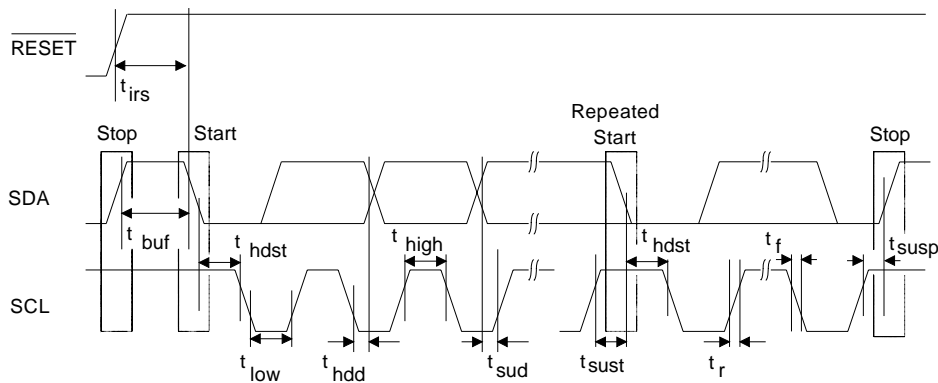


Figure 7. I²C Control Port Timing

POWER SUPPLY REJECTION (PSRR) CHARACTERISTICS

Test Conditions (unless otherwise specified): Connections to the CS42L55 are shown in the “Typical Connection Diagram” on page 10; GND = AGND = 0 V; all voltages with respect to ground.

Parameters		Min	Typ	Max	Units
PSRR with 100 mVpp, 1 kHz signal (Note 20)	PGA to ADC	-	55	-	dB
	ADC	-	50	-	dB
	PGA to HP & Line Amps	-	50	-	dB
	DAC to HP & Line Amps	-	50	-	dB
PSRR with 100 mVpp, 60 Hz signal (Note 20)	PGA to ADC (Note 21)	-	35	-	dB
	ADC	-	25	-	dB
	PGA to HP & Line Amps	-	50	-	dB
	DAC to HP & Line Amps	-	60	-	dB

Notes:

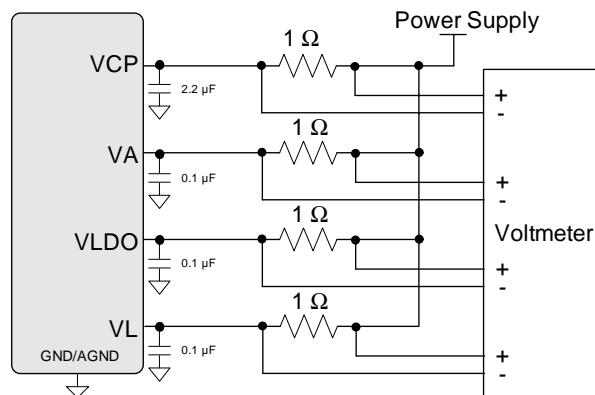
20. Valid with the recommended capacitor values on FILT+ and VQ, no load on HP and Line. Increasing the capacitance on FILT+ and VQ will also increase the PSRR.

21. The PGA is biased with VQ, created by a resistor divider from the VA supply.

DIGITAL INTERFACE SPECIFICATIONS & CHARACTERISTICS

Parameters (Note 22)	Symbol	Min	Max	Units
Input Leakage Current	I_{in}	-	± 10	μA
Input Capacitance		-	10	pF
1.8 V - 3.3 V Logic				
High-Level Output Voltage ($I_{OH} = -100 \mu A$)	V_{OH}	$V_L - 0.2$	-	V
Low-Level Output Voltage ($I_{OL} = 100 \mu A$)	V_{OL}	-	0.2	V
High-Level Input Voltage	V_{IH}	$0.83 \cdot V_L$ $0.76 \cdot V_L$ $0.68 \cdot V_L$ $0.65 \cdot V_L$	-	V
Low-Level Input Voltage	V_{IL}	-	$0.30 \cdot V_L$	V
HPDETECT Input				
High-Level Input Voltage	$HPDV_{IH}$	$0.65 \cdot V_A$	-	V
Low-Level Input Voltage	$HPDV_{IL}$	-	$0.35 \cdot V_A$	V

22. See “I/O Pin Characteristics” on page 9 for serial and control port power rails.



Note: Current is derived from the voltage drop across a 1 Ω resistor in series with each supply input.

Figure 8. Power Consumption Test Configuration

POWER CONSUMPTION - ALL SUPPLIES = 1.8 V

Operation Test Conditions (unless otherwise specified): All zeros input, slave mode, sample rate = 48 kHz; No load. Refer to Figure 8 on page 19.		Power Ctl. Registers				ADC, Line, HP Sel. Registers				Class H Mode page 45	Typical Current (mA)				Total Power (mW)								
		02h page 42		03h page 43		08h page 46					i _{VCP}	i _{VA}	i _{VLDO}	i _{VL}									
		PDN_CHRG	PDN_ADCB	PDN_ADCA	PDN	PDN_HP[B][1:0]	PDN_HP[A][1:0]	PDN_LIN[B][1:0]	PDN_LIN[A][1:0]							ADCBMUX[1:0]	ADCAMUX[1:0]	LINEMUX	LINEAMUX	HPBMUX	HPAMUX		
1	Off (Note 23)	x	x	x	x	x	x	x	x	x	x	x	x	x	x	-	0.002	0.003	0.002	0.001	0.01		
2	Standby	MCLKDIS=1	x	x	x	1	x	x	x	x	x	x	x	x	x	x	-	0.003	0.002	0.039	0.006	0.09	
		MCLKDIS=0	x	x	x	1	x	x	x	x	x	x	x	x	x	x	-	0.002	0.005	0.223	0.006	0.43	
		(Note 23) MCLKDIS=x	x	x	x	1	x	x	x	x	x	x	x	x	x	x	-	0.002	0.002	0.010	0.002	0.03	
3	Mono Record (Note 24)	ADC	0	1	0	0	11	11	11	11	xx	01	x	x	x	x	-	0.003	0.859	0.650	0.017	2.75	
		PGA to ADC	0	1	0	0	11	11	11	11	xx	00	x	x	x	x	-	0.002	1.053	0.650	0.018	3.10	
4	Stereo Record (Note 24)	ADC	0	0	0	0	11	11	11	11	01	01	x	x	x	x	-	0.002	1.116	0.795	0.022	3.48	
		PGA to ADC	0	0	0	0	11	11	11	11	00	00	x	x	x	x	-	0.002	1.470	0.800	0.022	4.13	
5	Mono Play to HP	No Effects	1	1	1	0	11	10	11	11	xx	xx	x	x	x	0	1	VCP/2	0.450	1.007	0.686	0.006	3.87
			VCP	0.928	1.014	0.690	0.006	4.75															
		Effects	1	1	1	0	11	10	11	11	xx	xx	x	x	x	0	0	VCP/2	0.452	1.008	0.964	0.006	4.37
			VCP	0.936	1.014	0.972	0.006	5.27															
6	Mono Play to Line	No Effects	1	1	1	0	11	11	11	10	xx	xx	x	0	x	x	1	VCP/2	0.394	1.008	0.704	0.006	3.80
			VCP	0.822	1.015	0.692	0.005	4.56															
		Effects	1	1	1	0	11	11	11	10	xx	xx	x	0	x	x	0	VCP/2	0.394	1.008	0.977	0.006	4.29
			VCP	0.822	1.015	0.969	0.006	5.06															
7	Stereo Play to HP	No Effects	1	1	1	0	10	10	11	11	xx	xx	x	x	0	0	1	VCP/2	0.697	1.434	0.688	0.006	5.08
			VCP	1.405	1.441	0.692	0.006	6.38															
		Effects	1	1	1	0	10	10	11	11	xx	xx	x	x	0	0	0	VCP/2	0.693	1.435	1.023	0.006	5.68
			VCP	1.429	1.442	1.031	0.006	7.04															
8	Stereo Play to Line	No Effects	1	1	1	0	11	11	10	10	xx	xx	0	0	x	x	1	VCP/2	0.572	1.437	0.697	0.006	4.88
			VCP	1.182	1.443	0.698	0.005	5.99															
		Effects	1	1	1	0	11	11	10	10	xx	xx	0	0	x	x	0	VCP/2	0.572	1.437	1.025	0.006	5.47
			VCP	1.182	1.445	1.025	0.006	6.58															
9	Stereo Passthrough to HP	VCP/2	0	1	1	0	10	10	11	11	xx	xx	x	x	1	1	x	0.562	1.083	0.190	0.005	3.31	
		VCP	1.159	1.090	0.190	0.006	4.40																
10	Stereo Passthrough to Line	VCP/2	0	1	1	0	11	11	10	10	xx	xx	1	1	x	x	x	0.572	1.084	0.190	0.006	3.33	
		VCP	1.181	1.093	0.190	0.006	4.44																
11	Mono Rec. & Play PGA In, HP Out	No Effects	0	1	0	0	11	10	11	11	xx	00	x	x	x	0	1	VCP/2	0.450	1.838	1.063	0.017	6.06
			VCP	0.931	1.846	1.061	0.017	6.94															
		Effects	0	1	0	0	11	10	11	11	xx	00	x	x	x	0	0	VCP/2	0.453	1.839	1.346	0.017	6.58
			VCP	0.937	1.846	1.345	0.018	7.46															
12	Stereo Rec. & Play PGA In, HP Out	No Effects	0	0	0	0	10	10	11	11	00	00	x	x	0	0	1	VCP/2	0.689	2.682	1.209	0.023	8.29
			VCP	1.417	2.690	1.218	0.022	9.63															
		Effects	0	0	0	0	10	10	11	11	00	00	x	x	0	0	0	VCP/2	0.693	2.682	1.560	0.022	8.92
			VCP	1.420	2.691	1.561	0.023	10.25															

POWER CONSUMPTION - ALL SUPPLIES = 2.5 V

Operation Test Conditions (unless otherwise specified): /All zeros input, slave mode, sample rate = 48 kHz; No load. Refer to Figure 8 on page 19.		Power Ctl. Registers		MUX Registers		PDN_DSP - 0Fh page 50	Class H Mode page 45	Typical Current (mA)				Total Power (mW)															
		02h page 42		03h page 43				08h page 46		i _{VCP}	i _{VA}		i _{VLDO}	i _{VL}													
		PDN_CHRG	PDN_ADCB	PDN_ADCA	PDN			PDN_HP[1:0]	PDN_HPA[1:0]						PDN_LINB[1:0]	PDN_LINA[1:0]	ADCBMUX[1:0]	ADCAMUX[1:0]	LINEBMUX	LINEAMUX	HPBMUX	HPAMUX					
1	Off (Note 23)	x	x	x	x	x	x	x	x	x	x	x	x	x	x	-	0.001	0.001	0.001	0.000	0.01						
2	Standby	MCLKDIS=1		x	x	x	x	x	x	x	x	x	x	x	x	-	0.000	0.000	0.064	0.007	0.18						
		MCLKDIS=0		x	x	x	x	x	x	x	x	x	x	x	x	x	-	0.000	0.013	0.385	0.007	1.01					
		(Note 23) MCLKDIS=x		x	x	x	x	x	x	x	x	x	x	x	x	x	-	0.000	0.000	0.018	0.000	0.05					
3	Mono Record (Note 24)	ADC		1	1	0	0	11	11	11	11	xx	01	x	x	x	x	x	x	x	x	-	0.000	0.752	0.743	0.019	3.79
		PGA to ADC		1	1	0	0	11	11	11	11	xx	00	x	x	x	x	x	x	x	x	x	-	0.000	0.997	0.750	0.019
4	Stereo Record (Note 24)	ADC		1	0	0	0	11	11	11	11	01	01	x	x	x	x	x	x	x	x	-	0.000	1.031	0.918	0.025	4.94
		PGA to ADC		1	0	0	0	11	11	11	11	00	00	x	x	x	x	x	x	x	x	x	-	0.000	1.511	0.926	0.024
5	Mono Play to HP	No Effects		1	1	1	0	11	10	11	11	xx	xx	x	x	x	0	1	VCP/2	0.676	1.327	0.705	0.007	6.79			
		Effects		1	1	1	0	11	10	11	11	xx	xx	x	x	x	0	0	VCP/2	1.694	1.339	0.709	0.007	9.37			
				1	1	1	0	11	10	11	11	xx	xx	x	x	x	0	0	VCP	0.677	1.325	1.032	0.007	7.60			
6	Mono Play to Line	No Effects		1	1	1	0	11	11	11	10	xx	xx	x	0	x	x	1	VCP/2	1.728	1.337	1.049	0.007	10.30			
		Effects		1	1	1	0	11	11	11	10	xx	xx	x	0	x	x	0	VCP/2	0.585	1.328	0.738	0.007	6.65			
				1	1	1	0	11	11	11	10	xx	xx	x	0	x	x	0	VCP	0.585	1.324	1.030	0.006	7.36			
7	Stereo Play to HP	No Effects		1	1	1	0	10	10	11	11	xx	xx	x	x	0	0	1	VCP/2	1.515	1.338	1.030	0.007	9.73			
		Effects		1	1	1	0	10	10	11	11	xx	xx	x	x	0	0	0	VCP/2	0.943	1.833	0.711	0.007	8.74			
				1	1	1	0	10	10	11	11	xx	xx	x	x	0	0	0	VCP	2.250	1.850	0.744	0.007	12.13			
8	Stereo Play to Line	No Effects		1	1	1	0	11	11	10	10	xx	xx	0	0	x	x	1	VCP/2	0.945	1.835	1.090	0.007	9.69			
		Effects		1	1	1	0	11	11	10	10	xx	xx	0	0	x	x	0	VCP/2	0.760	1.835	0.730	0.007	8.33			
				1	1	1	0	11	11	10	10	xx	xx	0	0	x	x	0	VCP	1.888	1.848	0.740	0.006	11.21			
9	Stereo Passthrough to HP	No Effects		1	1	1	0	11	11	10	10	xx	xx	0	0	x	x	0	VCP/2	0.760	1.836	1.085	0.007	9.22			
		Effects		1	1	1	0	11	11	10	10	xx	xx	0	0	x	x	0	VCP/2	0.760	1.836	1.085	0.007	9.22			
				1	1	1	0	11	11	10	10	xx	xx	0	0	x	x	0	VCP	1.888	1.851	1.058	0.007	12.01			
10	Stereo Passthrough to Line	No Effects		1	1	1	0	10	10	11	11	xx	xx	x	x	1	1	x	VCP/2	0.751	1.174	0.212	0.007	5.36			
		Effects		1	1	1	0	10	10	11	11	xx	xx	x	x	1	1	x	x	VCP	1.880	1.188	0.212	0.007	8.22		
11	Mono Rec. & Play	No Effects		1	1	1	0	11	11	10	10	xx	xx	1	1	x	x	x	VCP/2	0.759	1.175	0.211	0.007	5.38			
		Effects		1	1	1	0	11	11	10	10	xx	xx	1	1	x	x	x	VCP	1.886	1.189	0.211	0.007	8.23			
				1	1	0	0	11	10	11	11	xx	00	x	x	x	0	1	VCP/2	0.676	2.055	1.159	0.018	9.77			
12	Stereo Rec. & Play	No Effects		1	1	0	0	11	10	11	11	xx	00	x	x	x	0	0	VCP/2	1.700	2.068	1.196	0.018	12.46			
		Effects		1	1	0	0	11	10	11	11	xx	00	x	x	x	0	0	VCP/2	0.678	2.055	1.462	0.018	10.53			
				1	1	0	0	11	10	11	11	xx	00	x	x	x	0	0	VCP	1.696	2.066	1.463	0.018	13.11			
12	Stereo Rec. & Play	No Effects		1	0	0	0	10	10	11	11	00	00	x	x	0	0	1	VCP/2	0.945	3.071	1.340	0.024	13.45			
		Effects		1	0	0	0	10	10	11	11	00	00	x	x	0	0	0	VCP/2	2.254	3.089	1.358	0.023	16.81			
				1	0	0	0	10	10	11	11	00	00	x	x	0	0	0	VCP	0.950	3.074	1.702	0.024	14.38			
		1	0	0	0	10	10	11	11	00	00	x	x	0	0	0	0	VCP	2.254	3.090	1.705	0.023	17.68				

Notes:

- 23. When "Off", $\overline{\text{RESET}}$ pin and clock/data lines held LO; when in "standby", lines are held HI.
- 24. Either inputs 1 or 2 may be selected. Input 1 is shown for simplicity.

4. APPLICATIONS

4.1 Overview

4.1.1 *Basic Architecture*

The CS42L55 is a highly integrated, ultra-low power, 24-bit audio CODEC comprised of stereo A/D and D/A converters with pseudo-differential stereo input and output amplifiers. The ADC and DAC are designed using multi-bit delta-sigma techniques; both converters operate at a low oversampling ratio of 64x F_s , maximizing power savings while maintaining high performance. The CODEC operates in one of three sample rate speed modes: Quarter, Half and Single. It accepts and is capable of generating serial audio clocks (SCLK, LRCK) derived from a 12 or 6 MHz input Master Clock (MCLK). Designed with a very low voltage digital core and low voltage Class H amplifiers (powered from an integrated low-dropout regulator and a step-down/inverting charge pump, respectively), the CS42L55 provides significant reduction in overall power consumption.

4.1.2 *Line Inputs*

The analog input portion of the CODEC allows selection from two stereo line-level sources into a Programmable Gain Amplifier (PGA). The optional pseudo-differential configuration provides noise-rejection for single-ended inputs.

4.1.3 *Line and Headphone Outputs (Class H, Ground-Centered Amplifiers)*

The analog output portion of the CODEC includes separate pseudo-differential headphone and line out Class H amplifiers. An on-chip step-down/inverting charge pump creates a positive and negative voltage equal to the input or one-half the input supply for the amplifiers, allowing an adaptable, full-scale output swing centered around ground. The inverting architecture eliminates the need for large DC-blocking capacitors and allows the amplifier to deliver more power to headphone loads at lower supply voltages. The step-down architecture allows the amplifier's power supply to adapt to the required output signal. This adaptive power supply scheme converts traditional Class AB amplifiers into more power-efficient Class H amplifiers.

4.1.4 *Fixed-Function DSP Engine*

The fixed function digital signal processing engine processes both the PCM serial input data and ADC output data allowing a mix between the two. Independent volume control, left/right channel swaps, mono mixes, tone control comprise the DSP engine.

4.1.5 *Beep Generator*

The beep generator delivers tones at select frequencies across approximately two octave major scales. With independent volume control, beeps may be configured to occur continuously, periodically or at single time intervals.

4.1.6 *Power Management*

Several control registers and bits provide independent power down control of the ADC, PGA, DSP, headphone and line outputs, allowing operation in select applications with minimal power consumption.

4.2 Analog Inputs

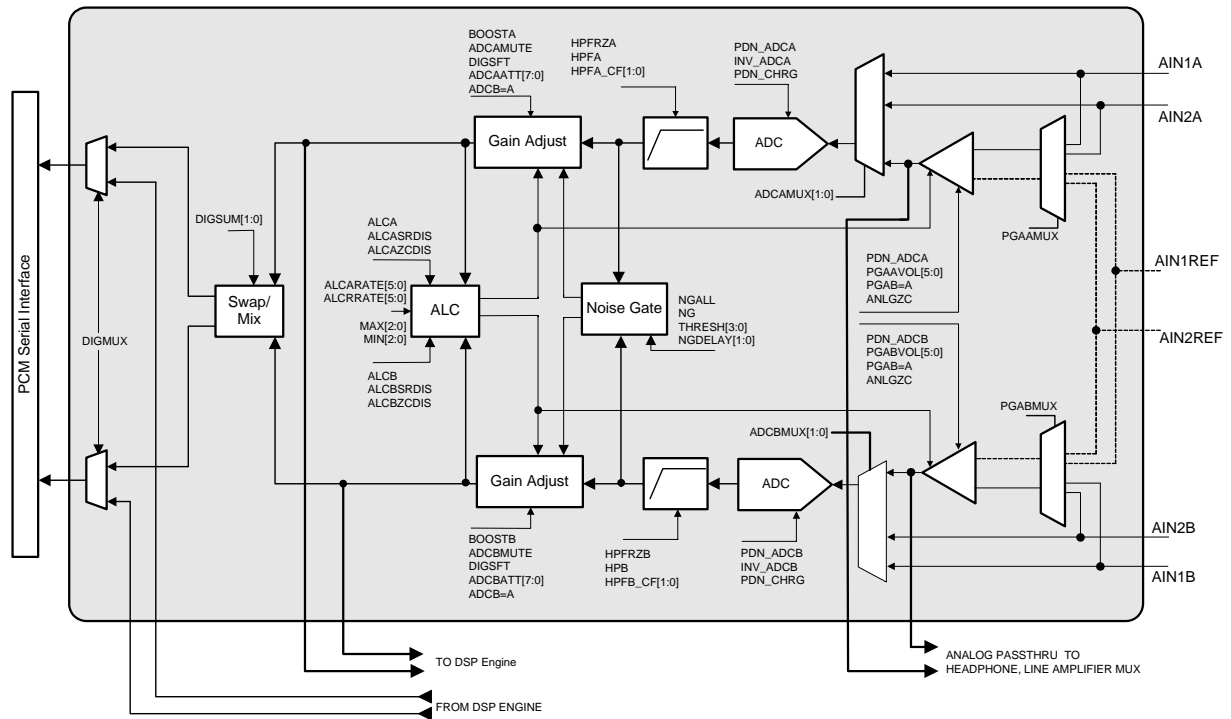


Figure 9. Analog Input Signal Flow

Referenced Control	Register Location
Analog Front End	
PGAxMUX	"PGA x Input Select" on page 49
PDN_ADCx	"Power Down ADC x" on page 42
PGAxVOL[5:0]	"PGAx Volume" on page 49
PGAB=A	"PGA Channel B=A" on page 48
ANLGZCx	"Analog Zero Cross" on page 46
ADCxMUX[1:0]	"ADC x Input Select" on page 46
INV_ADCx	"Invert ADC Signal Polarity" on page 48
PDN_CHRG	"Power Down ADC Charge Pump" on page 42
HPFRZx	"ADCx High-Pass Filter Freeze" on page 47
HPF _x	"ADCx High-Pass Filter" on page 47
HPF _x _CF[1:0]	"HPF x Corner Frequency" on page 47
Digital Volume	
BOOST _x	"Boost _x " on page 49
ADCxMUTE	"ADC Mute" on page 48
ADCxATT[7:0]	"ADCx Volume" on page 50
DIGSFT	"Digital Soft Ramp" on page 46
ADCB=A	"ADC Channel B=A" on page 48
ALC _x	"ALC _x " on page 62
ALC _x SRDIS	"ALC _x Soft Ramp Disable" on page 65
ALC _x ZCDIS	"ALC _x Zero Cross Disable" on page 65
ALCARATE[5:0]	"ALC Attack Rate" on page 63
ALCRRATE[5:0]	"ALC Release Rate" on page 63
MAX[2:0]	"ALC Maximum Threshold" on page 64
MIN[2:0]	"ALC Minimum Threshold" on page 64
NGALL	"Noise Gate All Channels" on page 64
NG	"Noise Gate Enable" on page 65
THRESH[3:0]	"Noise Gate Threshold and Boost" on page 65
NGDELAY[1:0]	"Noise Gate Delay Timing" on page 65
Miscellaneous	
DIGSUM[1:0]	"Digital Sum" on page 48
DIGMUX	"Digital MUX" on page 45

4.2.1 Pseudo-Differential Inputs

The CS42L55 implements a pseudo-differential input stage. The AINxREF inputs are intended to be used as a pseudo-differential reference signal. This feature provides 0 noise rejection with single-ended signals. Figure 10 shows a basic diagram outlining the internal implementation of the pseudo-differential input stage, including a recommended stereo pseudo-differential input topology. If pseudo-differential input functionality is not required, simply leave the AINxREF pin floating.

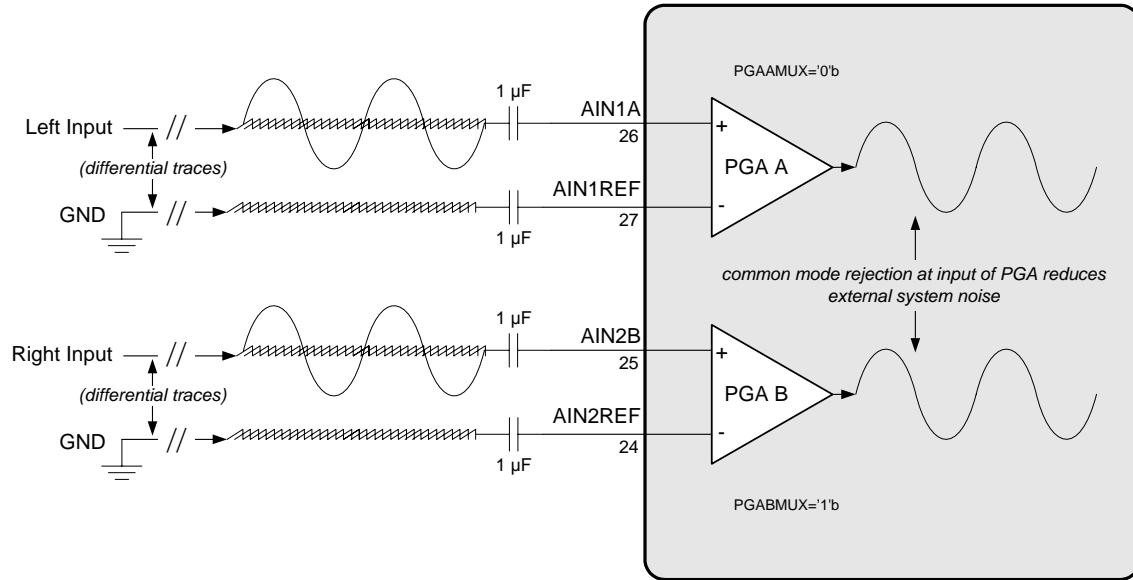


Figure 10. Stereo Pseudo-Differential Input

Referenced Control	Register Location
PGAxMUX	"PGA x Input Select" on page 49

4.2.2 Automatic Level Control (ALC)

When enabled, the ALC monitors the analog input signal after the digital attenuator. The ALC then detects when peak levels exceed the maximum threshold settings and first lowers the PGA gain settings and then increases the digital attenuation levels at a programmable attack rate and maintains the resulting level below the maximum threshold.

When input signal levels fall below the minimum threshold, digital attenuation levels are decreased first and the PGA gain is then increased at a programmable release rate and maintains the resulting level above the minimum threshold.

Attack and release rates are affected by the ADC soft ramp/zero cross settings and sample rate, Fs. ALC soft ramp and zero cross dependency may be independently enabled/disabled.

Recommended settings: Best level control may be realized with the fastest attack and slowest release setting with soft ramp enabled in the control registers.

Notes:

1. When ALC x is enabled and the PGAxVOL[5:0] is set to +12 dB, the ADCxATT[7:0] should not be set below 0 dB.
2. The maximum desired gain must be set in the PGAxVOL register. The ALC will only apply the gain set in PGAxVOL.
3. The ALC maintains the output signal between the MIN and MAX thresholds. As the input signal level changes, the level-controlled output may not always be the same but will always fall between the thresholds.

Referenced Control	Register Location
PGAxVOL[5:0]	"PGAx Volume" on page 49
ADCxATT[7:0]	"ADCx Volume" on page 50
MAX[2:0], MIN[2:0]	"ALC Threshold (Address 26h)" on page 64

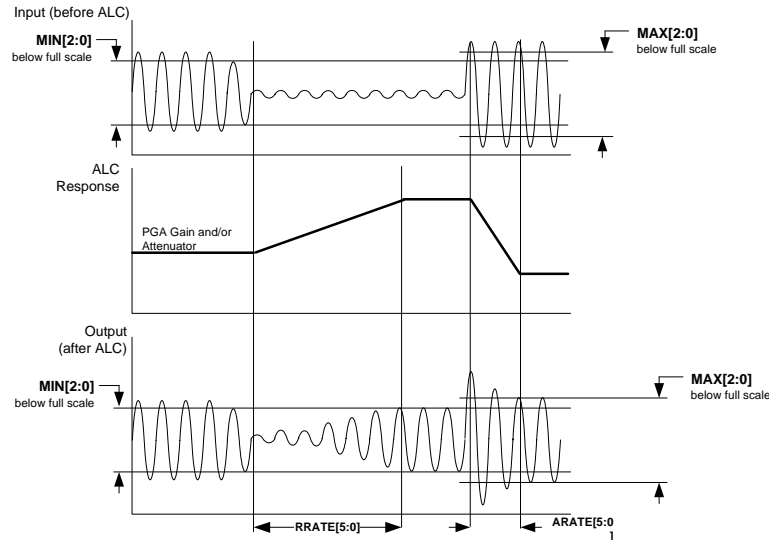


Figure 11. ALC Operation

4.3 Analog In to Analog Out Passthrough

The CS42L55 accommodates analog routing of the analog input signal directly to the headphone and line out amplifiers. This feature is useful in applications that utilize an FM tuner where audio recovered over-the-air must be transmitted to the headphone amplifier without digital conversion in the ADC and DAC. This analog passthrough path reduces power consumption and is immune to modulator switching noise that could interfere with some tuners. This path is selected using the Line and/or HP mux bits and powering down the ADC.

Referenced Control	Register Location
PDN_ADCx	"Power Down ADC x" on page 42
HPxMUX.....	"Headphone Input Select" on page 47
LINExMUX.....	"Line Input Select" on page 47

4.4 Analog Outputs

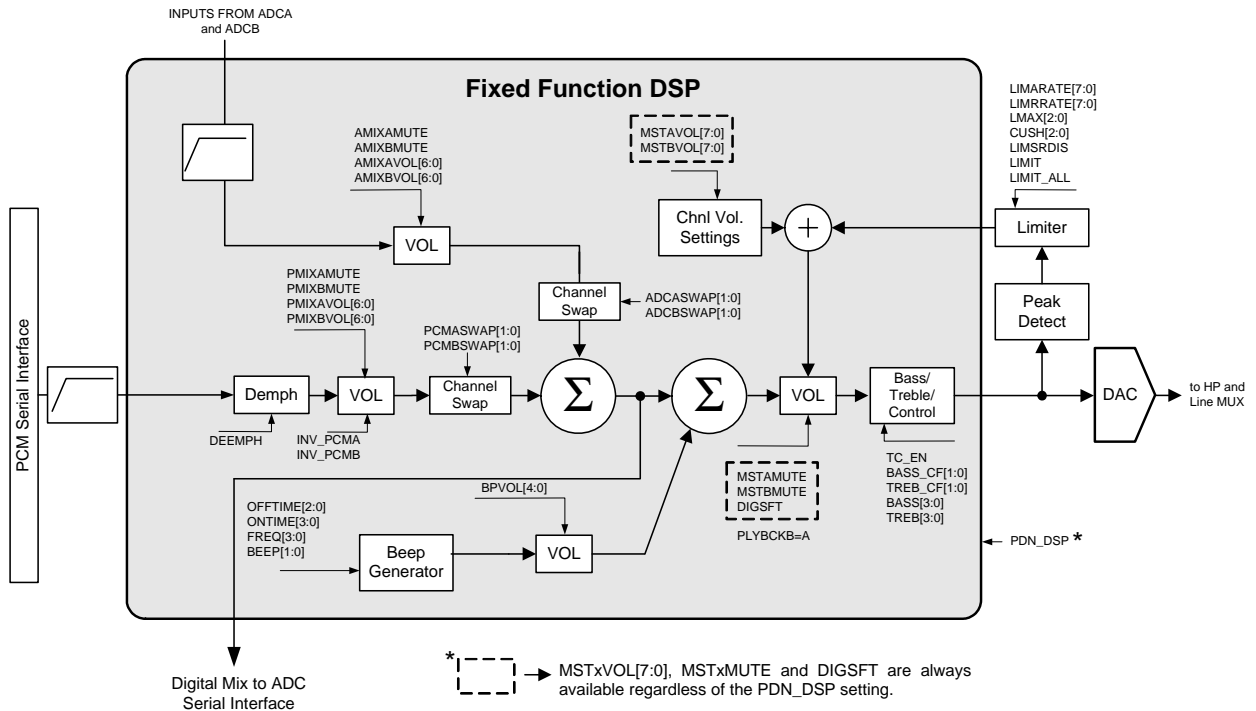


Figure 12. DSP Engine Signal Flow

Referenced Control	Register Location
DSP	
PDN_DSP	"Power Down DSP" on page 50
DEEMPH	"HP/Line De-Emphasis" on page 50
PMIXxMUTE	"PCM Mixer Channel x Mute" on page 52
PMIXxVOL[6:0]	"PCM Mixer Channel x Volume" on page 52
INV_PCMx	"Invert PCM Signal Polarity" on page 51
PCMxSWAP[1:0]	"PCM Mix Channel Swap" on page 60
AMIXxMUTE	"ADC Mixer Channel x Mute" on page 51
AMIXxVOL[6:0]	"ADC Mixer Channel x Volume" on page 51
ADCxSWAP[1:0]	"ADC Mix Channel Swap" on page 60
MSTxVOL[7:0]	"Master Volume Control" on page 57
MSTxMUTE	"Master Playback Mute" on page 51
DIGSFT	"Digital Soft Ramp" on page 46
PLYBCKB=A	"Playback Channels B=A" on page 50
TC_EN	"Tone Control Enable" on page 56
BASS_CF[1:0]	"Bass Corner Frequency" on page 56
TREB_CF[1:0]	"Treble Corner Frequency" on page 55
BASS[3:0]	"Bass Gain" on page 56
TREB[3:0]	"Treble Gain" on page 56
Limiter	
LIMIT	"Peak Detect and Limiter" on page 61
LIMIT_ALL	"Peak Signal Limit All Channels" on page 61
LIMSRDIS	"Limiter Soft Ramp Disable" on page 66
LMAX[2:0]	"Limiter Maximum Threshold" on page 60
CUSH[2:0]	"Limiter Cushion Threshold" on page 61
LIMARATE[7:0]	"Limiter Attack Rate" on page 62
LIMRRATE[7:0]	"Limiter Release Rate" on page 62
Beep Generator	Refer to "Beep Generator" on page 31 for all referenced controls

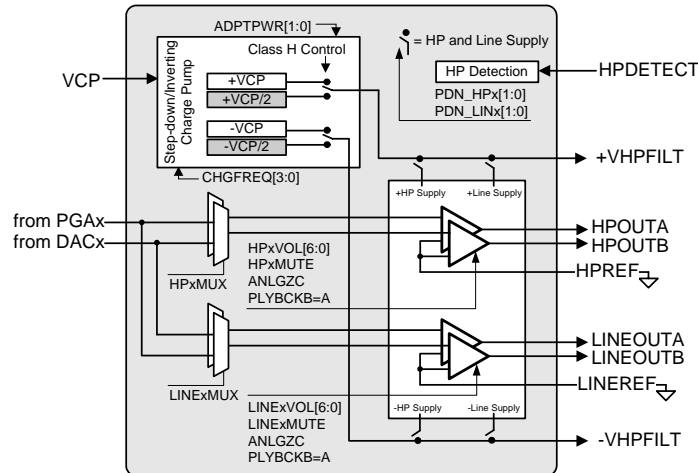


Figure 13. Analog Output Stage

Referenced Control	Register Location
Analog Output	
ADPTPWR[1:0]	“Adaptive Power Adjustment” on page 45
CHGFREQ[3:0]	“Charge Pump Frequency” on page 67
PDN_HP[1:0]	“Headphone Power Control” on page 43
PDN_LIN[1:0]	“Line Power Control” on page 43
HPxMUTE	“Headphone Channel x Mute” on page 57
HPxVOL[7:0]	“Headphone Volume Control” on page 57
LINExMUTE	“Line Channel x Mute” on page 58
LINExVOL[7:0]	“Line Volume Control” on page 58
ANLGZC	“Analog Zero Cross” on page 46
PLYBCKB=A	“Playback Channels B=A” on page 50
HPxMUX	“Headphone Input Select” on page 47
LINExMUX	“Line Input Select” on page 47

4.5 Class H Amplifier

The CS42L55 headphone and line output amplifiers use a patented Cirrus Logic Bi-Modal Class H technology. This technology maximizes operating efficiency of the typical Class AB amplifier while maintaining high performance. In a Class H amplifier design, the rail voltages supplied to the amplifier vary with the needs of the music passage that is being amplified. This prevents unnecessarily wasting energy during low power passages of program material or when the program material is played back at a low volume level.

The central component of the Bi-Modal Class H technology found in the CS42L55 is the internal charge pump, which creates the rail voltages for the headphone and line amplifiers of the device. The charge pump receives its input voltage from the voltage present on the VCP pin of the CS42L55. From this input voltage, the charge pump creates the differential rail voltages that are supplied to the amplifier output stages. The charge pump is capable of supplying two sets of differential rail voltages. One set is equal to $\pm VCP$ and the other is equal to $\pm VCP/2$.

4.5.1 Power Control Options

The method by which the CS42L55 decides which set of rail voltages is supplied to the amplifier output stages depends on the settings of the Adaptive Power bits (ADPTPWR) found in “[Class H Power Control \(Address 06h\)](#)” section on page 45. As detailed in this section, there are four possible settings for these bits: Mode 00, 01, 10 and 11.

Referenced Control	Register Location
ADPTPWR[1:0]	“Adaptive Power Adjustment” on page 45

4.5.1.1 Standard Class AB Operation (Mode 01 and 10)

When the Adaptive Power bits are set to either 01 or 10, the rail voltages supplied to the amplifiers will be held to $\pm VCP/2$ or $\pm VCP$, respectively. For these two settings, the rail voltages supplied to the output stages are held constant, regardless of the signal level, internal volume settings, or the settings of the AIN and DIN advisory volume registers. In either of these two settings, the amplifiers in the CS42L55 simply operate in a traditional Class AB configuration.

4.5.1.2 Adapted to Volume Settings (Mode 00)

When the Adaptive Power bits are set to 00, the CS42L55 decides which set of rail voltages to send to the amplifiers based upon the gain and attenuation levels of all active internal processing blocks. In order to adjust for external analog (line or microphone sources) or digital (DSP) input volume settings, it also takes into account the settings of the AIN and DIN advisory volume registers. The combined effect of all volume settings is shown in Figure 14.

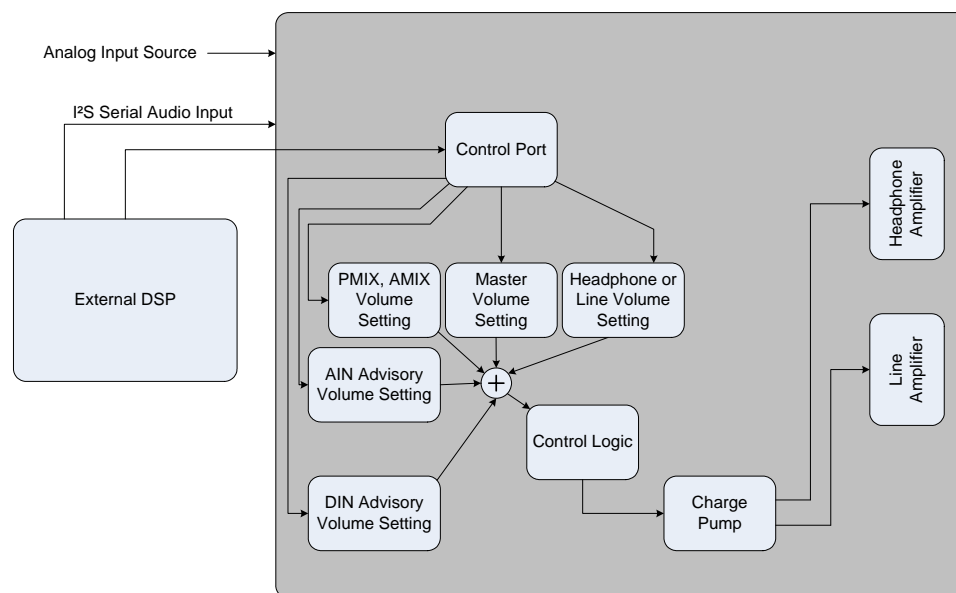


Figure 14. Adaptive Mode 00

If the total gain and attenuation set in the volume control registers would cause the amplifiers to clip a full-scale signal when operating from the lower set of rail voltages, the control logic instructs the charge pump to provide the higher set of the two rail voltages ($\pm VCP$) to the amplifiers. If the total gain and attenuation set in the volume control registers would not cause the amplifiers to clip a full-scale signal when operating from the lower set of rail voltages, the control logic instructs the charge pump to supply the lower set of rail voltages ($\pm VCP/2$) to the amplifiers.

Note: The A and B channels of each respective volume control must both cross the threshold to trigger a change in the VCP mode. The control logic also monitors various functions (listed in the table below) that may affect the total gain and attenuation of the signal applied to the amplifiers.

Referenced Control	Register Location
HPxVOL[7:0]	"Headphone Volume Control" on page 57
LINExVOL[7:0]	"Line Volume Control" on page 58
MSTxVOL[7:0]	"Master Volume Control" on page 57
MSTxMUTE	"Master Playback Mute" on page 51
AMIXxVOL[6:0]	"ADC Mixer Channel x Volume" on page 51
PMIXxVOL[6:0]	"PCM Mixer Channel x Volume" on page 52
AINADV[7:0]	"Analog Input Advisory Volume" on page 59
DINADV[7:0]	"Digital Input Advisory Volume" on page 59
BOOSTx	"Boostx" on page 49
ADCxMUX	"ADC x Input Select" on page 46
PGAxVOL	"PGAx Volume" on page 49
ADCxMUTE	"ADC Mute" on page 48
ADCxSWP	"ADC Mix Channel Swap" on page 60
PCMXSWP	"PCM Mix Channel Swap" on page 60
HPxMUX	"Headphone Input Select" on page 47
LINExMUX	"Line Input Select" on page 47
HPxMUTE	"Headphone Channel x Mute" on page 57
LINExMUTE	"Line Channel x Mute" on page 58
PDN_HPx	"Headphone Power Control" on page 43
PDN_LINEx	"Line Power Control" on page 43
TREB	"Treble Gain" on page 56
BASS	"Bass Gain" on page 56
TCEN	"Tone Control Enable" on page 56
BEEP	"Beep Configuration" on page 55
BPVOL	"Beep Volume" on page 55
ADCB=A	"ADC Channel B=A" on page 48
PGAB=A	"PGA Channel B=A" on page 48
PLAYBCKB=A	"Playback Channels B=A" on page 50

4.5.1.3 Adapted to Output Signal (Mode 11)

When the Adaptive Power bits are set to 11, the CS42L55 decides which of the two sets of rail voltages to send to the amplifiers based solely upon the level of the signal being sent to the amplifiers. If the signal that is sent to the amplifiers would cause the amplifiers to clip when operating on the lower set of rail voltages, the control logic instructs the charge pump to provide the higher set of rail voltages ($\pm V_{CP}$) to the amplifiers. If the signal that is sent to the amplifiers would not cause the amplifiers to clip when operating on the lower set of rail voltages, the control logic instructs the charge pump to provide the lower set of rail voltages ($\pm V_{CP}/2$) to the amplifiers. This mode of operation eliminates the need to advise the CS42L55 of volume settings external to the device.

Note: Signal detection is made using digital circuitry. This mode should, therefore, not be used with analog passthrough (PGA to HP/Line).

4.5.2 Power Supply Transitions

Charge pump transitions from the lower set of rail voltages to the higher set of rail voltages occur on the next FLYN/P clock cycle. Despite the fast response time of the system, the capacitive elements on the VHPFILT pins prevent the rail voltages from changing instantaneously. Instead, the rail voltages ramp up from $\pm V_{CP}/2$ to $\pm V_{CP}$ based on the time constant created by the output impedance of the charge pump and the capacitor on the VHPFILT pin (the transition time is approximately 20 μs). This behavior is detailed in Figure 15. During this charging transition, a high dv/dt transient on the inputs may briefly clip the outputs before the rail voltages charge to the full $\pm V_{CP}$ level. This transitory clipping has been found to be inaudible in listening tests.

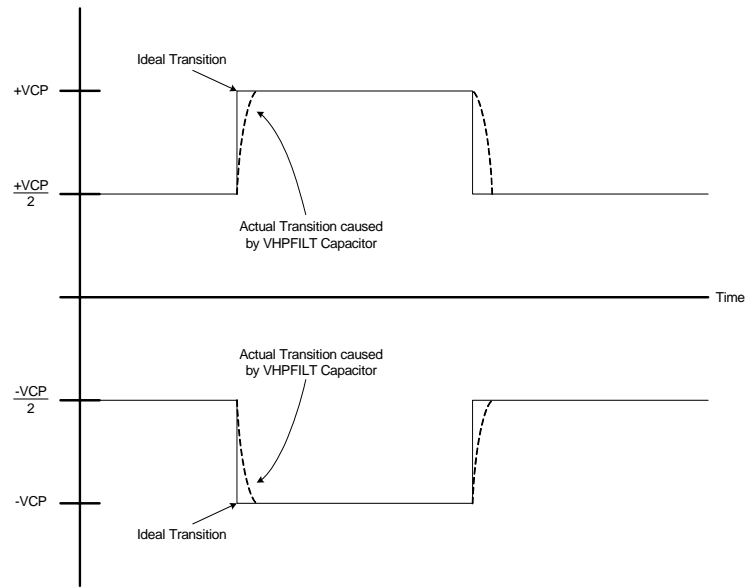


Figure 15. VHPFILT Transitions

When the charge pump transitions from the higher set of rail voltages to the lower set, there is a one second delay before the charge pump supplies the lower rail voltages to the amplifiers. This hysteresis ensures that the charge pump doesn't toggle between the two rail voltages as signals approach the clip threshold. It also prevents clipping in the instance of repetitive high level transients in the input signal. The timing diagram for this transitional behavior is detailed in [Figure 16](#).

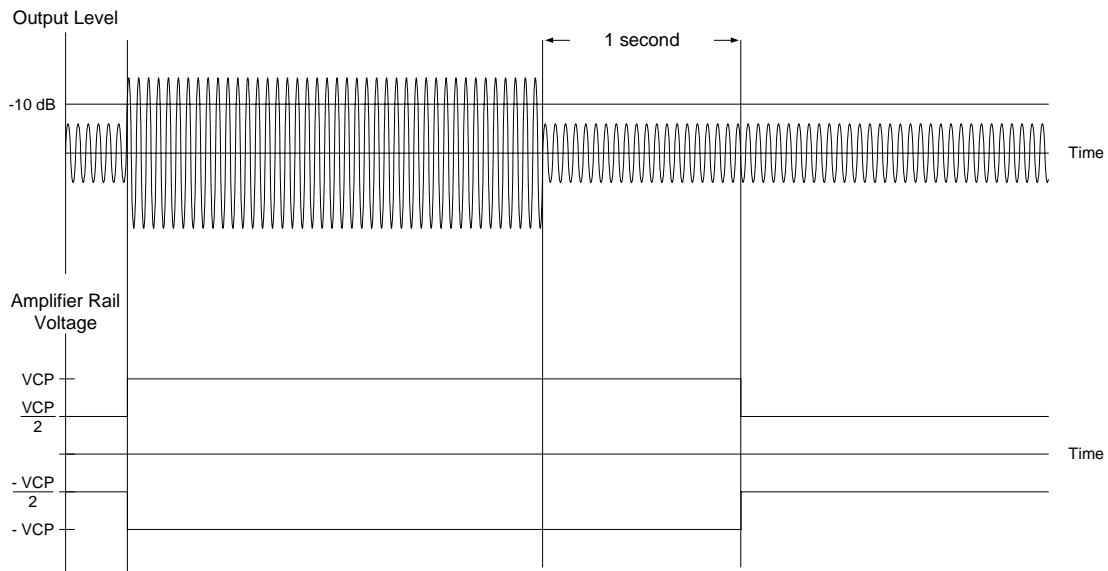


Figure 16. VHPFILT Hysteresis

4.5.3 Efficiency

As discussed in previous sections, the amplifiers internal to the CS42L55 operate from one of two sets of rail voltages, based upon the needs of the signal being amplified or the total gain/attenuation settings. The power curves for the two modes of operation are shown in Figure 15. This graph details the power supplied to a load versus the power drawn from the supply for each of the three use cases.

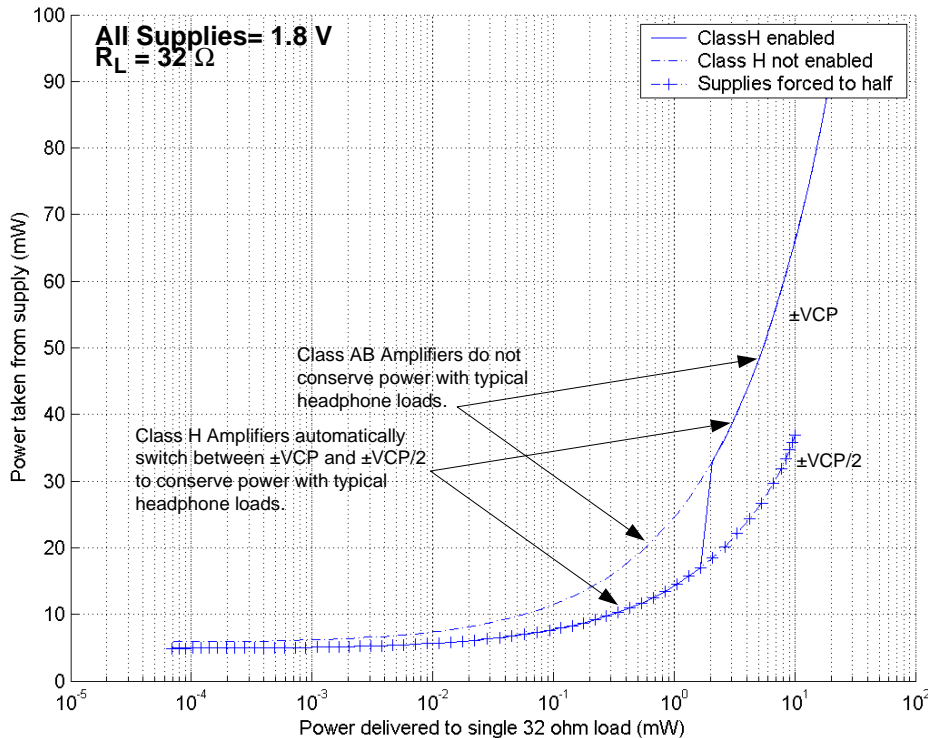


Figure 17. Class H Power to Load vs. Power from VCP Supply

When the rail voltages are set to VCP, the amplifiers will operate in their least efficient mode. When the rail voltages are held at $\pm VCP/2$, the amplifiers will operate in their most efficient mode, but will be clipped if required to amplify a full-scale signal.

Note: The $\pm VCP/2$ curve ends at the point at which the output of the amplifiers reached 10% THD+N.

The benefit of Bi-Modal Class H is shown in the solid trace on the graph. At lower output levels, the amplifiers operate on the $\pm VCP/2$ curve. At higher output levels, they operate on the $\pm VCP$ curve. The duration the amplifiers will operate on either of the two curves ($\pm VCP/2$ or $\pm VCP$) depends on both the content and the output level of the program material being amplified. The highest efficiency operation will result from maintaining an output level that is close to, but not exceeding, the clip threshold of the $\pm VCP/2$ curve.

4.6 Beep Generator

The Beep Generator generates audio frequencies across approximately two octave major scales. It offers three modes of operation: Continuous, multiple and single (one-shot) beeps. Sixteen On and eight Off times are available.

Note: The Beep is generated before the limiter and may affect desired limiting performance. If the limiter function is used, it may be necessary to set the beep volume sufficiently below the threshold to prevent the peak detect from triggering. Since the master volume control, MSTxVOL[7:0], will affect the beep volume, the DAC volume may alternatively be controlled using the PMIXxVOL[6:0] bits.

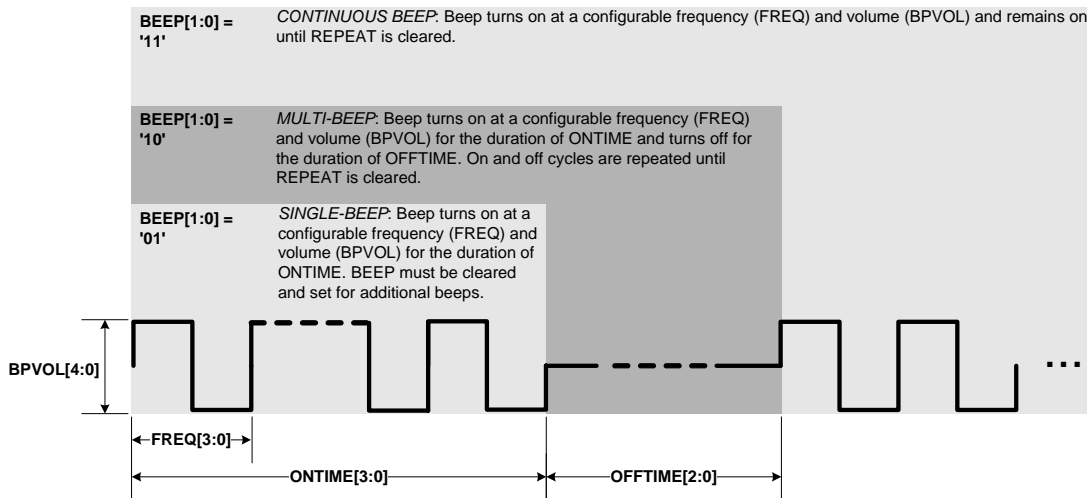


Figure 18. Beep Configuration Options

Referenced Control	Register Location
MSTxVOL[7:0]	“Master Volume Control: MSTA (Address 18h) & MSTB (Address 19h)” on page 57
PMIXxVOL[6:0]	“PCMx Mixer Volume: PCMA (Address 12h) & PCMB (Address 13h)” on page 52
OFFTIME[2:0]	“Beep Off Time” on page 54
ONTIME[3:0]	“Beep On Time” on page 54
FREQ[3:0]	“Beep Frequency” on page 53
BEEP[1:0]	“Beep Configuration” on page 55
BPVOL[4:0]	“Beep Volume” on page 55

4.7 Limiter

When enabled, the limiter monitors the digital input signal before the DAC modulators, detects when levels exceed the maximum threshold settings and lowers the master volume at a programmable attack rate below the maximum threshold. When the input signal level falls below the maximum threshold, the AOUT volume returns to its original level set in the Master Volume Control register at a programmable release rate. Attack and release rates are affected by the DAC soft ramp settings and sample rate, Fs. Limiter soft ramp dependency may be independently enabled/disabled using the LIMSRDIS.

Notes:

1. *Recommended settings:* Best limiting performance may be realized with the fastest attack and slowest release setting with soft ramp enabled in the control registers. The CUSH bits allow the user to set a threshold slightly below the maximum threshold for hysteresis control - this cushions the sound as the limiter attacks and releases.
2. The Limiter maintains the output signal between the CUSH and MAX thresholds. As the digital input signal level changes, the level-controlled output may not always be the same but will always fall within the thresholds.

Referenced Control	Register Location
Limiter Rates	“Limiter Release Rate” on page 62, “Limiter Attack Rate” on page 62
Limiter Thresholds	“Limiter Maximum Threshold” on page 60, “Limiter Cushion Threshold” on page 61
LIMSRDIS	“Limiter Soft Ramp Disable” on page 66
Master Volume Control	“Master Volume Control: MSTA (Address 18h) & MSTB (Address 19h)” on page 57

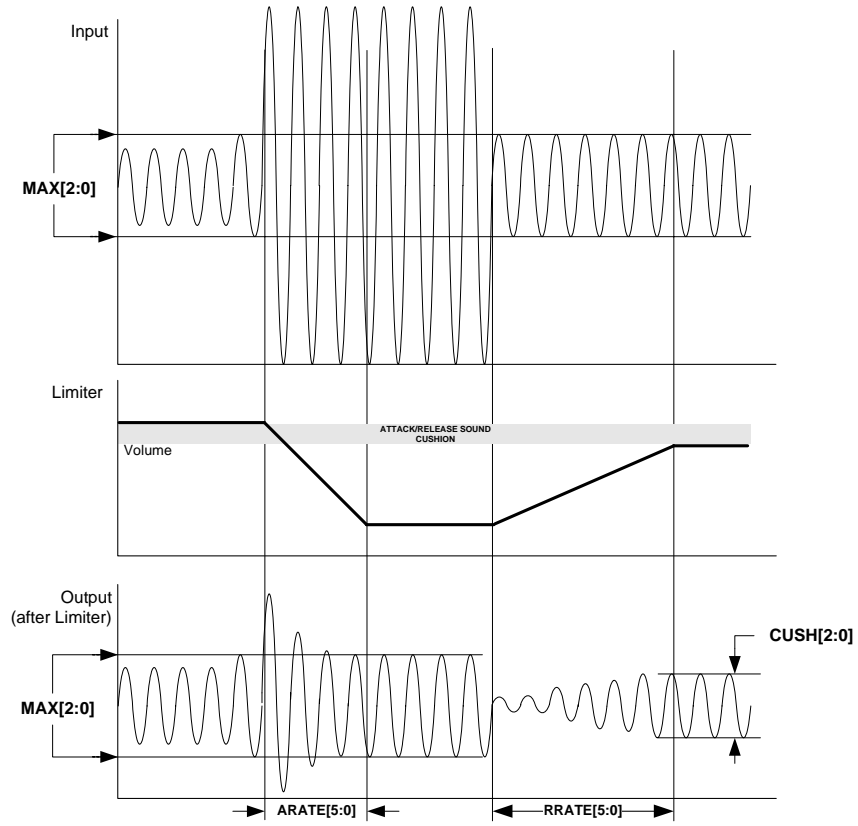


Figure 19. Peak Detect & Limiter

4.8 Serial Port Clocking

The CODEC serial audio interface port operates either as a slave or master. It accepts externally generated clocks in Slave Mode ($M/\overline{S} = '0'b$) and will generate synchronous clocks derived from an input master clock (MCLK) in Master Mode ($M/\overline{S} = '1'b$). Refer to the table below for the required setting in register 05h associated with a given MCLK and sample rate.

Referenced Control	Register Location
Register 05h	"Clocking Control 2 (Address 05h)" on page 44
M/S	"Master/Slave Mode" on page 43

MCLK (MHz)	LRCK (kHz)	Clock Ratio	SPEED[1:0]	32kGROUP	RATIO[1:0]	Register 05h
12.0000 (MCLKDIV2='1'b)	8.0000	1500	11	1	01	0x1D
	11.0294	1088	11	0	11	0x1B
	12.0000	1000	11	0	01	0x19
	16.0000	750	10	1	01	0x15
	22.0588	544	10	0	11	0x13
	24.0000	500	10	0	01	0x11
	32.0000	375	01	1	01	0x0D
	44.1180	272	01	0	11	0x0B
	48.0000	250	01	0	01	0x09
6.0000 (MCLKDIV2='0'b)	8.0000	750	11	1	01	0x1D
	11.0294	544	11	0	11	0x1B
	12.0000	500	11	0	01	0x19
	16.0000	375	10	1	01	0x15
	22.0588	272	10	0	11	0x13
	24.0000	250	10	0	01	0x11
	32.0000	187.5	01	1	01	0x0D
	44.1180	136	01	0	11	0x0B
	48.0000	125	01	0	01	0x09

4.9 Digital Interface Format

The serial port operates in the I²S digital interface formats with varying bit depths up to 24 into the DAC and a fixed depth of 24 out the ADC. Data is clocked out of the ADC on an internally delayed version of the rising SCLK edge. This provides more setup time for capturing data on the rising edge of SCLK. Data is clocked into the DAC on the rising edge of SCLK.

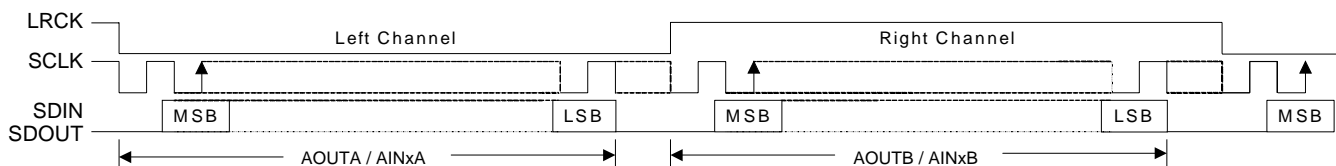


Figure 20. I²S Format

4.10 Initialization

The CODEC enters a Power-Down state upon initial power-up. The interpolation and decimation filters, delta-sigma modulators and control port registers are reset. The charge pump, LDO, internal voltage reference and switched-capacitor low-pass filters are powered down. The device will remain in the Power-Down state until the RESET pin is brought high. The control port is accessible once RESET is high and the desired register settings can be loaded per the interface descriptions in the "Register Description" on page 42.

After the PDN bit is released and MCLK is valid, the quiescent voltage, VQ, and the internal voltage reference, FILT+, will begin powering up to normal operation. The charge pump slowly powers up and charges the capacitors. Power is then applied to the headphone amplifiers and switched-capacitor filters, and the analog/digital outputs enter a muted state. MCLK occurrences are counted over one LRCK period to determine a valid MCLK/LRCK ratio and normal operation begins.

4.11 Recommended DAC to HP or Line Power-Up Sequence (Playback)

1. Hold $\overline{\text{RESET}}$ low until the power supplies are stable; no specific power supply sequencing is required. $\overline{\text{RESET}}$ should be held low for a minimum of 1 ms after power supplies are stable.
2. Apply MCLK (LRCK, SCLK and SDIN may be applied at any time) at the appropriate frequency.
3. Bring $\overline{\text{RESET}}$ high.
4. Wait a minimum of 500 ns before writing to the control port.
5. The default state of the master power down bit, PDN, is '1'b. Load the following register settings while keeping the PDN bit set to '1'b.
6. Load the required register settings detailed in [4.13 "Required Initialization Settings" on page 37](#).
7. Configure the headphone and line power down controls for ON, OFF, or HPDETECT operation.
Register Controls: PDN_HPx[1:0], PDN_LINx[1:0]
8. Configure the serial port I/O control for master or slave operation.
Register Controls: M/S
9. Configure the master clock (MCLK) and bit clock (SCLK) I/O control as desired. Refer to [4.8 "Serial Port Clocking" on page 34](#) for the required configuration for a given master clock.
Register Controls: MCLKDIV2, SCK=MCK
10. Configure the sample rate (LRCK) controls for the desired sample rate. Refer to [4.8 "Serial Port Clocking" on page 34](#) for the required configuration for a given sample rate.
Register Controls: See Register 05h
11. The default state of the DSP engine's power down bit, PDN_DSP, is '0'b. It is not necessary to power down the DSP before changing the various DSP functions. The DSP may be powered down for additional power savings.
12. To minimize pops on the headphone or line amplifier, each respective analog volume control must first be muted and set to maximum attenuation.
Register Controls: HPxMUTE, LINExMUTE, HPxVOL[6:0], LINExVOL[6:0]
13. After muting the headphone or line amplifiers, set the PDN bit to '0'b.
14. Wait 75 ms for the headphone or line amplifier to power up.
15. Un-mute and ramp the volume for the headphone or line amplifiers to the desired level.
16. Bring $\overline{\text{RESET}}$ low if the analog or digital supplies drop below the recommended operating condition to prevent power glitch related issues.

Power Up Sequence	Register Location
Step 5, 13	"Power Down" on page 42
Step 7	"Power Control 2 (Address 03h)" on page 43
Steps 8-9	"Clocking Control 1 (Address 04h)" on page 43
Step 10	"Clocking Control 2 (Address 05h)" on page 44
Step 11	"Power Down DSP" on page 50
Step 12a, 15a	"Headphone Channel x Mute" on page 57, "Line Channel x Mute" on page 58
Step 12b, 15b	"Headphone Volume Control" on page 57, "Line Volume Control" on page 58

4.11.1 Recommended Power-Down Sequence

1. To minimize pops on the headphone or line amplifier, each respective analog volume control must first be muted and set to maximum attenuation.
Register Controls: HPxMUTE, LINExMUTE, HPxVOL[6:0], LINExVOL[6:0]
2. Set the PDN bit to '1'b.
3. Bring RESET low.

Power Down Sequence	Register Location
Step 1a	"Headphone Volume Control" on page 57, "Line Volume Control" on page 58
Step 1b	"Headphone Channel x Mute" on page 57, "Line Channel x Mute" on page 58
Step 2	"Power Down" on page 42

4.12 Recommended PGA to HP or Line Power-Up Sequence (Analog Passthrough)

1. Hold RESET low until the power supplies are stable; no specific power supply sequencing is required. RESET should be held low for a minimum of 1 ms after power supplies are stable.
2. Apply MCLK at the appropriate frequency.
3. Bring RESET high.
4. Wait a minimum of 500 ns before writing to the control port.
5. The default state of the master power down bit, PDN, is '1'b. Load the following register settings while keeping the PDN bit set to '1'b.
6. Load the required register settings detailed in 4.13 "Required Initialization Settings" on page 37.
7. Configure the headphone and line power down controls for ON, OFF, or HPDETECT operation.
Register Controls: PDN_HP[1:0], PDN_LIN[1:0]
8. Configure the HP and/or Line amplifiers to receive the analog output from the PGA.
Register Controls: LINExMUX, HPxMUX
9. Power down the DSP engine.
Register Controls: PDN_DSP
10. To minimize pops on the headphone or line amplifier, each respective analog volume control must first be muted and set to maximum attenuation.
Register Controls: HPxMUTE, LINExMUTE, HPxVOL[6:0], LINExVOL[6:0]
11. After muting the headphone and/or line amplifiers, set the PDN bit to '0'b.
12. Wait 75 ms for the headphone or line amplifier to power up.
13. Un-mute and ramp the volume for the headphone or line amplifiers to the desired level.
14. Bring RESET low if the analog or digital supplies drop below the recommended operating condition to prevent power glitch related issues.

Power Up Sequence	Register Location
Step 5, 11	"Power Down" on page 42
Step 7	"Power Control 2 (Address 03h)" on page 43
Steps 8	"ADC, Line, HP MUX (Address 08h)" on page 46
Step 9	"Power Down DSP" on page 50
Step 10a,13a	"Headphone Channel x Mute" on page 57, "Line Channel x Mute" on page 58
Step 10b,13b	"Headphone Volume Control" on page 57, "Line Volume Control" on page 58

4.12.1 Recommended Power-Down Sequence

1. To minimize pops on the headphone and/or line amplifier, each respective analog volume control must first be muted and set to maximum attenuation.
Register Controls: HPxMUTE, LINExMUTE, HPxVOL[6:0], LINExVOL[6:0]
2. During power down, the CODEC attempts to power down on a zero cross transition of the analog

signal. The zero cross timeout, however, is dependent on the serial port clock domain. Thus, to fully power down, the ADC must briefly power up to enable the zero cross state machine. Follow the remaining steps below to complete the power down sequence.

3. Set bit 5 in register 07h to '1'b. This implements a high impedance state on the serial output ports to avoid possible contention in step 4 if clocks are already applied to the serial port.
4. Configure the serial port I/O control for master operation.
Register Controls: M/S
5. Power up either one of the ADC channels.
Register Controls: PDN_ADCx
6. Wait 100 ms.
7. Set the PDN bit to '1'b. The CODEC is completely powered down in a low power state.
8. To achieve the lowest operating quiescent current, bring $\overline{\text{RESET}}$ low. All control port registers will be reset to their default state.

Power Down Sequence	Register Location
Step 1a	"Headphone Volume Control" on page 57, "Line Volume Control" on page 58
Step 1b	"Headphone Channel x Mute" on page 57, "Line Channel x Mute" on page 58
Step 3	"Miscellaneous Control (Address 07h)" on page 45
Step 4	"Master/Slave Mode" on page 43
Step 5	"Power Down ADC x" on page 42
Step 7	"Power Down" on page 42

4.13 Required Initialization Settings

The current required for various sections in the CODEC must be reduced using the control port compensation strategy shown below. All performance and power consumption measurements were taken with the Control Port Compensation shown below.

	VA < 2.1 V	VA > 2.1 V	Current adjustments are made in the following sections:
Control Port Compensation	1. Write 0x99 to register 0x00.	1. Write 0x99 to register 0x00.	1. [Enable test register access.]
	2. Write 0x30 to register 0x2E.	2. Write 0x30 to register 0x2E.	2. Digital Regulator.
	3. Write 0x07 to register 0x32.	3. Write 0x07 to register 0x32.	3. ADC.
	4. Write 0xFF to register 0x33.	4. Write 0xFD to register 0x33.	4. ADC.
	5. Write 0xF8 to register 0x34.	5. Write 0xF8 to register 0x34.	5. ADC.
	6. Write 0xDC to register 0x35.	6. Write 0xDC to register 0x35.	6. Zero Cross Detector.
	7. Write 0xFC to register 0x36.	7. Write 0xF8 to register 0x36.	7. PGA.
	8. Write 0xAC to register 0x37.	8. Write 0x6C to register 0x37.	8. PGA.
	9. Write 0xF8 to register 0x3A.	9. Write 0xF8 to register 0x3A.	9. DAC.
	10. Write 0xD3 to register 0x3C.	10. Write 0xD3 to register 0x3C.	10. Headphone Amplifier.
	11. Write 0x23 to register 0x3D.	11. Write 0x23 to register 0x3D.	11. Headphone & Line Amplifier.
	12. Write 0x81 to register 0x3E.	12. Write 0x81 to register 0x3E.	12. Line Amplifier.
	13. Write 0x46 to register 0x3F.	13. Write 0x46 to register 0x3F.	13. PGA & ADC.
	14. Write 0x00 to register 0x00.	14. Write 0x00 to register 0x00.	14. [Disable test register access.].

4.14 Control Port Operation

The control port is used to access the registers allowing the CODEC to be configured for the desired operational modes and formats. The operation of the control port may be completely asynchronous with respect to the audio sample rates. However, to avoid potential interference problems, the control port pins should remain static if no operation is required.

The control port operates using an I²C interface with the CODEC acting as a slave device.

4.14.1 I²C Control

SDA is a bidirectional data line. Data is clocked into and out of the part by the clock, SCL. The signal timings for a read and write cycle are shown in Figure 21 and Figure 22. A Start condition is defined as a falling transition of SDA while the clock is high. A Stop condition is defined as a rising transition of SDA while the clock is high. All other transitions of SDA occur while the clock is low. The first byte sent to the CS42L55 after a Start condition consists of a 7-bit chip address field and a R/W bit (high for a read, low for a write).

The upper 7 bits of the address field are fixed at 1001010. To communicate with the CS42L55, the chip address field, which is the first byte sent to the CS42L55, should match 1001010. The eighth bit of the address is the R/W bit. If the operation is a write, the next byte is the Memory Address Pointer (MAP); the MAP selects the register to be read or written. If the operation is a read, the contents of the register pointed to by the MAP will be output. Setting the auto-increment bit in MAP allows successive reads or writes of consecutive registers. Each byte is separated by an acknowledge bit. The ACK bit is output from the CS42L55 after each input byte is read and is input to the CS42L55 from the microcontroller after each transmitted byte.

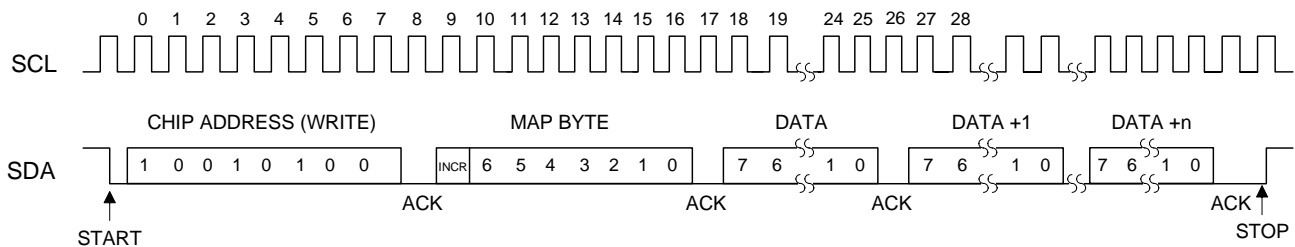


Figure 21. Control Port Timing, I²C Write

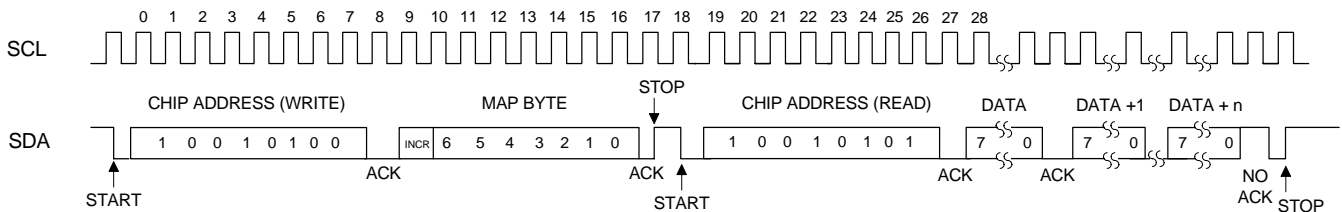


Figure 22. Control Port Timing, I²C Read

Since the read operation cannot set the MAP, an aborted write operation is used as a preamble. As shown in Figure 22, the write operation is aborted (after the acknowledge for the MAP byte) by sending a stop condition. The following pseudocode illustrates an aborted write operation followed by a read operation.

- Send start condition.
- Send 10010100 (chip address & write operation).
- Receive acknowledge bit.
- Send MAP byte, auto-increment off.

Receive acknowledge bit.
Send stop condition, aborting write.
Send start condition.
Send 10010101 (chip address & read operation).
Receive acknowledge bit.
Receive byte, contents of selected register.
Send acknowledge bit.
Send stop condition.

Setting the auto-increment bit in the MAP allows successive reads or writes of consecutive registers. Each byte is separated by an acknowledge bit.

4.14.2 Memory Address Pointer (MAP)

The MAP byte comes after the address byte and selects the register to be read or written. Refer to the pseudo code above for implementation details.

4.14.2.1 Map Increment (INCR)

The device has MAP auto-increment capability enabled by the INCR bit (the MSB) of the MAP. If INCR is set to 0, MAP will stay constant for successive I²C writes or reads. If INCR is set to 1, MAP will auto-increment after each byte is read or written, allowing block reads or writes of successive registers.

5. REGISTER QUICK REFERENCE

(Default values are shown below the bit names)

I2C Address: 1001010[R/W] - 10010100 = 0x94(Write); 10010101 = 0x95(Read)									
Adr.	Function	7	6	5	4	3	2	1	0
01h p 42	ID (Read Only)	Reserved x	Reserved x	Reserved x	Reserved x	Reserved x	REVID2 x	REVID1 x	REVID0 x
02h p 42	Power Ctl 1	Reserved 0	Reserved 0	Reserved 0	Reserved 0	PDN_CHRG 1	PDN_ADCB 1	PDN_ADCA 1	PDN 1
03h p 43	Power Ctl 2	PDN_HPBB1 1	PDN_HPBB0 1	PDN_HPAA1 1	PDN_HPAA0 1	PDN_LINB1 1	PDN_LINB0 1	PDN_LINA1 1	PDN_LINA0 1
04h p 43	Clocking Ctl 1	Reserved 0	Reserved 0	M/S 0	INV_SCLK 0	SCK=MCK1 0	SCK=MCK0 0	MCLKDIV2 0	MCLKDIS 0
05h p 44	Clocking Ctl 2	Reserved 0	Reserved 0	Reserved 0	SPEED1 0	SPEED0 1	32kGROUP 0	RATIO1 1	RATIO0 1
06h p 45	Class H Power Ctl	Reserved 0	Reserved 0	ADPTPWR1 0	ADPTPWR0 0	Reserved 0	Reserved 0	Reserved 0	Reserved 0
07h p 45	Misc. Ctl	DIGMUX 0	Reserved 0	Reserved 0	Reserved 0	ANLGZC 1	DIGSFT 1	Reserved 0	FREEZE 0
08h p 46	ADC, Line, HP MUX	ADCBMUX1 0	ADCBMUX0 0	ADCAMUX1 0	ADCAMUX0 0	LINEBMUX 0	LINEAMUX 0	HPBMUX 0	HPAMUX 0
09h p 47	HPF Ctl	HPFB 1	HPFRZB 0	HPFA 1	HPFRZA 0	HPFB_CF1 0	HPFB_CF0 0	HPFA_CF1 0	HPFA_CF0 0
0Ah p 48	Misc. ADC Ctl	ADCB=A 0	PGAB=A 0	DIGSUM1 0	DIGSUM0 0	INV_ADCB 0	INV_ADCA 0	ADCBMUTE 0	ADCAMUTE 0
0Bh p 49	PGAA Vol, MUX	BOOSTA 0	PGAAMUX 0	PGAAVOL5 0	PGAAVOL4 0	PGAAVOL3 0	PGAAVOL2 0	PGAAVOL1 0	PGAAVOL0 0
0Ch p 49	PGAB Vol, MUX	BOOSTB 0	PGABMUX 0	PGABVOL5 0	PGABVOL4 0	PGABVOL3 0	PGABVOL2 0	PGABVOL1 0	PGABVOL0 0
0Dh p 50	ADCA Attenuator	ADCAATT7 0	ADCAATT6 0	ADCAATT5 0	ADCAATT4 0	ADCAATT3 0	ADCAATT2 0	ADCAATT1 0	ADCAATT0 0
0Eh p 50	ADCB Attenuator	ADCBATT7 0	ADCBATT6 0	ADCBATT5 0	ADCBATT4 0	ADCBATT3 0	ADCBATT2 0	ADCBATT1 0	ADCBATT0 0
0Fh p 50	Playback Ctl 1	PDN_DSP 0	DEEMPH 0	Reserved 0	PLYBCKB=A 0	INV_PCMB 0	INV_PCMA 0	MSTBMUTE 0	MSTAMUTE 0
10h p 51	ADCMIXA Vol	AMIXAMUTE 1	AMIXAVOL6 0	AMIXAVOL5 0	AMIXAVOL4 0	AMIXAVOL3 0	AMIXAVOL2 0	AMIXAVOL1 0	AMIXAVOL0 0
11h p 51	ADCMIXB Vol	AMIXBMUTE 1	AMIXBVOL6 0	AMIXBVOL5 0	AMIXBVOL4 0	AMIXBVOL3 0	AMIXBVOL2 0	AMIXBVOL1 0	AMIXBVOL0 0
12h p 52	PCMMIXA Vol	PMIXAMUTE 0	PMIXAVOL6 0	PMIXAVOL5 0	PMIXAVOL4 0	PMIXAVOL3 0	PMIXAVOL2 0	PMIXAVOL1 0	PMIXAVOL0 0
13h p 52	PCMMIXB Vol	PMIXBMUTE 0	PMIXBVOL6 0	PMIXBVOL5 0	PMIXBVOL4 0	PMIXBVOL3 0	PMIXBVOL2 0	PMIXBVOL1 0	PMIXBVOL0 0
14h p 53	BEEP Freq, On Time	FREQ3 0	FREQ2 0	FREQ1 0	FREQ0 0	ONTIME3 0	ONTIME2 0	ONTIME1 0	ONTIME0 0
15h p 54	BEEP Vol, Off Time	OFFTIME2 0	OFFTIME1 0	OFFTIME0 0	BPVOL4 0	BPVOL3 0	BPVOL2 0	BPVOL1 0	BPVOL0 0
16h p 55	BEEP, Tone Cfg.	BEEP1 0	BEEP0 0	Reserved 0	TREB_CF1 0	TREB_CF0 0	BASS_CF1 0	BASS_CF0 0	TC_EN 0
17h p 56	Tone Ctl	TREB3 1	TREB2 0	TREB1 0	TREB0 0	BASS3 1	BASS2 0	BASS1 0	BASS0 0
18h p 57	Master A Vol	MSTAVOL7 0	MSTAVOL6 0	MSTAVOL5 0	MSTAVOL4 0	MSTAVOL3 0	MSTAVOL2 0	MSTAVOL1 0	MSTAVOL0 0
19h p 57	Master B Vol	MSTBVOL7 0	MSTBVOL6 0	MSTBVOL5 0	MSTBVOL4 0	MSTBVOL3 0	MSTBVOL2 0	MSTBVOL1 0	MSTBVOL0 0
1Ah p 57	Headphone A Volume	HPAMUTE 0	HPAVOL6 0	HPAVOL5 0	HPAVOL4 0	HPAVOL3 0	HPAVOL2 0	HPAVOL1 0	HPAVOL0 0

I ² C Address: 1001010[R/W] - 10010100 = 0x94(Write); 10010101 = 0x95(Read)									
Adr.	Function	7	6	5	4	3	2	1	0
1Bh p 57	Headphone B Volume	HPBMUTE 0	HPBVOL6 0	HPBVOL5 0	HPBVOL4 0	HPBVOL3 0	HPBVOL2 0	HPBVOL1 0	HPBVOL0 0
1Ch p 58	Line A Volume	LINEAMUTE 0	LINEAVOL6 0	LINEAVOL5 0	LINEAVOL4 0	LINEAVOL3 0	LINEAVOL2 0	LINEAVOL1 0	LINEAVOL0 0
1Dh p 58	Line B Volume	LINEBMUTE 0	LINEBVOL6 0	LINEBVOL5 0	LINEBVOL4 0	LINEBVOL3 0	LINEBVOL2 0	LINEBVOL1 0	LINEBVOL0 0
1Eh p 59	Analog Input Advisory Vol	AINADV7 0	AINADV6 0	AINADV5 0	AINADV4 0	AINADV3 0	AINADV2 0	AINADV1 0	AINADV0 0
1Fh p 59	Digital Input Advisory Vol	DINADV7 0	DINADV6 0	DINADV5 0	DINADV4 0	DINADV3 0	DINADV2 0	DINADV1 0	DINADV0 0
20h p 60	Channel Mixer & Swap	PCMBSWP1 0	PCMBSWP0 0	PCMASWP1 0	PCMASWP0 0	ADCBSWP1 0	ADCBSWP0 0	ADCASWP1 0	ADCASWP0 0
21h p 60	Limit Thresholds	LMAX2 0	LMAX1 0	LMAX0 0	CUSH2 0	CUSH1 0	CUSH0 0	Reserved 0	Reserved 0
22h p 61	Limit Ctl, Release Rate	LIMIT 0	LIMIT_ALL 1	LIMRRATE5 1	LIMRRATE4 1	LIMRRATE3 1	LIMRRATE2 1	LIMRRATE1 1	LIMRRATE0 1
23h p 62	Limiter Attack Rate	Reserved 0	Reserved 0	LIMARATE5 0	LIMARATE4 0	LIMARATE3 0	LIMARATE2 0	LIMARATE1 0	LIMARATE0 0
24h p 62	ALC Enable, Attack Rate	ALCB 0	ALCA 0	ALCARATE5 0	AALCRATE4 0	ALCARATE3 0	ALCARATE2 0	ALCARATE1 0	ALCARATE0 0
25h p 63	ALC Release Rate	Reserved 0	Reserved 0	ALCRRATE5 1	ALCRRATE4 1	ALCRRATE3 1	ALCRRATE2 1	ALCRRATE1 1	ALCRRATE0 1
26h p 64	ALC Thresholds	ALCMAX2 0	ALCMAX1 0	ALCMAX0 0	ALCMIN2 0	ALCMIN1 0	ALCMIN0 0	Reserved 0	Reserved 0
27h p 64	Noise Gate Ctl	NGALL 0	NG 0	NGBOOST 0	THRESH2 0	THRESH1 0	THRESH0 0	NGDELAY1 0	NGDELAY0 0
28h p 65	ALC, Limiter SFT, ZC Disable	ALCBSRDIS 0	ALCBZCDIS 0	ALCASRDIS 0	ALCAZCDIS 0	LIMSRDIS 0	Reserved 0	Reserved 0	Reserved 0
29h p 66	Misc. Status (Read Only)	HPDETECT 0	SPCLKERR 0	DSPBOVFL 0	DSPAOVFL 0	MIXBOVFL 0	MIXAOVFL 0	ADCBOVFL 0	ADCAOVFL 0
2Ah p 67	Charge Pump Freq	Reserved 0	Reserved 0	Reserved 0	Reserved 0	CHGFREQ3 0	CHGFREQ2 1	CHGFREQ1 0	CHGFREQ0 1

6. REGISTER DESCRIPTION

Except for the chip I.D., revision register, and status register, which are Read Only, all registers are Read/Write. See the following bit definition tables for bit assignment information. The default state of each bit after a power-up sequence or reset is listed in each bit description. All **Reserved** registers must maintain their default state.

I²C Address: 1001010[R/W]

6.1 Fab I.D. and Revision Register (Address 01h) (Read Only)

7	6	5	4	3	2	1	0
Reserved	Reserved	Reserved	Reserved	Reserved	REVID2	REVID1	REVID0

6.1.1 Chip Revision (Read Only)

CS42L55 revision level.

REVID[2:0]	Revision Level
000	A0
001	A1

6.2 Power Control 1 (Address 02h)

7	6	5	4	3	2	1	0
Reserved	Reserved	Reserved	Reserved	PDN_CHRG	PDN_ADCB	PDN_ADCA	PDN

6.2.1 Power Down ADC Charge Pump

Configures the power state of the ADC charge pump. For optimal ADC performance and power consumption, set to '1'b when VA > 2.1 V and set to '0'b when VA < 2.1 V.

PDN_CHRG	ADC Charge Pump Status
0	Powered Up
1	Powered Down

6.2.2 Power Down ADC x

Configures the power state of ADC channel x.

PDN_ADCx	ADC Status
0	Powered Up
1	Powered Down

6.2.3 Power Down

Configures the power state of the entire CODEC.

PDN	CODEC Status
0	Powered Up
1	Powered Down

6.3 Power Control 2 (Address 03h)

7	6	5	4	3	2	1	0
PDN_HP B1	PDN_HP B0	PDN_HP A1	PDN_HP A0	PDN_LIN B1	PDN_LIN B0	PDN_LIN A1	PDN_LIN A0

6.3.1 Headphone Power Control

Configures how the HPDETECT pin, 29, controls the power for the headphone amplifier.

PDN_HP x[1:0]	Headphone Status
00	Headphone channel is ON when the HPDETECT pin, 29, is LO. Headphone channel is OFF when the HPDETECT pin, 29, is HI.
01	Headphone channel is ON when the HPDETECT pin, 29, is HI. Headphone channel is OFF when the HPDETECT pin, 29, is LO.
10	Headphone channel is always ON.
11	Headphone channel is always OFF.

6.3.2 Line Power Control

Configures how the HPDETECT pin, 29, controls the power for the line amplifier.

PDN_LIN x[1:0]	Line Status
00	Line channel is ON when the HPDETECT pin, 29, is LO. Line channel is OFF when the HPDETECT pin, 29, is HI.
01	Line channel is ON when the HPDETECT pin, 29, is HI. Line channel is OFF when the HPDETECT pin, 29, is LO.
10	Line channel is always ON.
11	Line channel is always OFF.

6.4 Clocking Control 1 (Address 04h)

7	6	5	4	3	2	1	0
Reserved	Reserved	M/S	INV_SCLK	SCK=MCK1	SCK=MCK0	MCLKDIV2	MCLKDIS

6.4.1 Master/Slave Mode

Configures the serial port I/O clocking.

M/S	Serial Port Clocks
0	Slave (Input ONLY)
1	Master (Output ONLY)
Application:	"Serial Port Clocking" on page 34

6.4.2 SCLK Polarity

Configures the polarity of the SCLK signal.

INV_SCLK	SCLK Polarity
0	Not Inverted
1	Inverted

6.4.3 SCLK Equals MCLK

Configures the SCLK signal source and speed for master mode.

SCK=MCK[1:0]	Output SCLK
00	Re-timed, bursted signal with minimal speed needed to clock the required data samples
01	Reserved
10	MCLK signal <i>after</i> the MCLK divide (MCLKDIV2) circuit
11	MCLK signal <i>before</i> the MCLK divide (MCLKDIV2) circuit

6.4.4 MCLK Divide By 2

Configures a divide of the input MCLK prior to all internal circuitry.

MCLKDIV2	MCLK signal into CODEC
0	No divide
1	Divided by 2
Application:	"Serial Port Clocking" on page 34

6.4.5 MCLK Disable

Configures the MCLK signal prior to all internal circuitry.

MCLKDIS	MCLK signal into CODEC
0	On
1	Off; Disables the clock tree to save power when the CODEC is powered down.

Note: This function should be enabled during power down (PDN=1) ONLY.

6.5 Clocking Control 2 (Address 05h)

7	6	5	4	3	2	1	0
Reserved	Reserved	Reserved	SPEED1	SPEED0	32kGROUP	RATIO1	RATIO0

6.5.1 Speed Mode

Configures the speed mode of the CODEC in slave mode and sets the appropriate MCLK divide ratio for LRCK and SCLK in master mode.

SPEED[1:0]	Serial Port Speed
00	Reserved
01	Single-Speed Mode (SSM)
10	Half-Speed Mode (HSM)
11	Quarter-Speed Mode (QSM)
Application:	"Serial Port Clocking" on page 34

Notes:

1. Slave/Master Mode is determined by the $\overline{M/S}$ bit in ["Master/Slave Mode" on page 43](#).
2. Certain sample and MCLK frequencies require setting the SPEED[1:0] bits, the 32k_GROUP bit (["32 kHz Sample Rate Group" on page 45](#)) and the RATIO[1:0] bits (["Internal MCLK/LRCK Ratio" on page 45](#)). Low sample rates may also affect dynamic range performance in the typical audio band. Refer to the referenced application for more information.

6.5.2 32 kHz Sample Rate Group

Specifies whether or not the input/output sample rate is 8 kHz, 16 kHz or 32 kHz.

32kGROUP	8 kHz, 16 kHz or 32 kHz sample rate?
0	No
1	Yes
Application:	"Serial Port Clocking" on page 34

6.5.3 Internal MCLK/LRCK Ratio

Configures the internal MCLK/LRCK ratio.

RATIO[1:0]	Internal MCLK Cycles per LRCK
00	Reserved
01	125
10	Reserved
11	136
Application:	"Serial Port Clocking" on page 34

6.6 Class H Power Control (Address 06h)

7	6	5	4	3	2	1	0
Reserved	Reserved	ADPTPWR1	ADPTPWR0	Reserved	Reserved	Reserved	Reserved

6.6.1 Adaptive Power Adjustment

Configures how the power to the headphone and line amplifiers adapts to the output signal level.

ADPTPWR[1:0]	Power Supply
00	Adapted to volume setting; Voltage level is determined by the sum of the relevant volume settings
01	Fixed - Headphone and Line Amp supply = +/-VCP/2
10	Fixed - Headphone and Line Amp supply = +/-VCP
11	Adapted to Signal; Voltage level is dynamically determined by the output signal
Application:	"Class H Amplifier" on page 27

6.7 Miscellaneous Control (Address 07h)

7	6	5	4	3	2	1	0
DIGMUX	Reserved	Reserved	Reserved	ANLGZC	DIGSFT	Reserved	FREEZE

6.7.1 Digital MUX

Selects the signal source for the ADC serial port.

DIGMUX	SDOUT Signal Source
0	ADC
1	DSP Mix

6.7.2 Analog Zero Cross

Configures when the signal level changes occur for the analog volume controls.

ANLGZCx	Volume Changes	Affected Analog Volume Controls
0	Do not occur on a zero crossing	PGAx_VOL[5:0] (“PGAx Volume” on page 49) HPxMUTE (“Headphone Channel x Mute” on page 57) HPxVOL[6:0] (“Headphone Volume Control” on page 57)
1	Occur on a zero crossing	LINExMUTE (“Line Channel x Mute” on page 58) LINExVOL[6:0] (“Line Volume Control” on page 58)

Note: If the signal does not encounter a zero crossing, the requested volume change will occur after a timeout period of 1024 sample periods (approximately 10.7 ms at 48 kHz sample rate).

6.7.3 Digital Soft Ramp

Configures an incremental volume ramp from the current level to the new level at the specified rate.

DIGSFT	Volume Changes	Affected Digital Volume Controls
0	Do not occur with a soft ramp	ADCxMUTE (“ADC Mute” on page 48) ADCxATT[7:0] (“ADCx Volume” on page 50)
1	Occur with a soft ramp	AMIXxMUTE (“ADC Mixer Channel x Mute” on page 51) AMIXxVOL[6:0] (“ADC Mixer Channel x Volume” on page 51) PMIXxMUTE (“PCM Mixer Channel x Mute” on page 52) PMIXxVOL[6:0] (“PCM Mixer Channel x Volume” on page 52) MSTxMUTE (“Master Playback Mute” on page 51) MSTxVOL[7:0] (“Master Volume Control” on page 57)
Ramp Rate:	1/8 dB every LRCK cycle	

6.7.4 Freeze Registers

Configures a hold on all register settings.

FREEZE	Control Port Status
0	Register changes take effect immediately
1	Modifications may be made to all control port registers without the changes taking effect until after the FREEZE is disabled.

6.8 ADC, Line, HP MUX (Address 08h)

7	6	5	4	3	2	1	0
ADCBMUX1	ADCBMUX0	ADCAMUX1	ADCAMUX0	LINEBMUX	LINEAMUX	HPBMUX	HPAMUX

6.8.1 ADC x Input Select

Selects the specified analog input signal into ADCx.

ADCxMUX[1:0]	Selected Input to ADCx
00	PGAx - Use PGAxMUX bit (“PGA x Input Select” on page 49) to select an input channel.
01	AIN1x; PGA is bypassed
10	AIN2x; PGA is bypassed
11	Reserved

Note: Pseudo-differential inputs are not available when the PGA is bypassed.

6.8.2 Line Input Select

Selects the specified analog input signal into line amplifier x.

LINExMUX	Selected Input to Line Amplifier Ch. x
0	DACx
1	PGAx - Use PGAxMUX bit (" PGA x Input Select " on page 49) to select an input channel.

Note: The PGA path must not be selected while the Line Amplifier is powered down.

6.8.3 Headphone Input Select

Selects the specified analog input signal into headphone amplifier x.

HPxMUX	Selected Input to HP Amplifier Ch. x
0	DACx
1	PGAx - Use PGAxMUX bit (" PGA x Input Select " on page 49) to select an input channel.

Note: The PGA path must not be selected while the Headphone Amplifier is powered down.

6.9 HPF Control (Address 09h)

7	6	5	4	3	2	1	0
HPFB	HPFRZB	HPFA	HPFRZA	HPFB_CF1	HPFB_CF0	HPFA_CF1	HPFA_CF0

6.9.1 ADCx High-Pass Filter

Configures the internal high-pass filter after ADCx.

HPFx	High Pass Filter Status
0	Disabled
1	Enabled

6.9.2 ADCx High-Pass Filter Freeze

Configures the high pass filter's digital DC subtraction and/or calibration after ADCx.

HPFRZx	High Pass Filter Digital Subtraction
0	Continuous DC Subtraction
1	Frozen DC Subtraction

6.9.3 HPF x Corner Frequency

Sets the corner frequency (-3 dB point) for the internal High-Pass Filter (HPF).

HPFx_CF[1:0]	HPF Corner Frequency Setting ($F_s=48$ kHz)
00	1.8 Hz
01	119 Hz
10	236 Hz
11	464 Hz

6.10 Misc. ADC Control (Address 0Ah)

7	6	5	4	3	2	1	0
ADCB=A	PGAB=A	DIGSUM1	DIGSUM0	INV_ADCB	INV_ADCA	ADCBMUTE	ADCAMUTE

6.10.1 ADC Channel B=A

Configures independent or ganged volume control of the ADC and the ALC.

ADCB=A	Single Volume Control
0	Disabled
1	Enabled

6.10.2 PGA Channel B=A

Configures independent or ganged volume control of the PGA.

PGAB=A	Single Volume Control
0	Disabled
1	Enabled

6.10.3 Digital Sum

Configures a mix/swap of ADCA and ADCB.

DIGSUM[1:0]	Serial Output Signal	
	Left Channel	Right Channel
00	ADCA	ADCB
01	$(ADCA + ADCB)/2$	$(ADCA + ADCB)/2$
10	$(ADCA - ADCB)/2$	$(ADCA - ADCB)/2$
11	ADCB	ADCA

6.10.4 Invert ADC Signal Polarity

Configures the polarity of the ADC signal.

INV_ADCx	ADC Signal Polarity
0	Not Inverted
1	Inverted

6.10.5 ADC Mute

Configures a digital mute on ADC channel x.

ADCxMUTE	ADC Mute
0	Not muted.
1	Muted

6.11 PGA x MUX, Volume: PGA A (Address 0Bh) & PGA B (Address 0Ch)

7	6	5	4	3	2	1	0
BOOSTx	PGAxMUX	PGAxVOL5	PGAxVOL4	PGAxVOL3	PGAxVOL2	PGAxVOL1	PGAxVOL0

6.11.1 Boostx

Configures a +20 dB boost on channel x.

BOOSTx	+20 dB Boost
0	No boost applied
1	+20 dB boost applied

6.11.2 PGA x Input Select

Selects the specified analog input signal into PGA channel x.

PGAxMUX	Selected Input to PGAx
0	AIN1x
1	AIN2x

Note: For pseudo-differential inputs, the CODEC automatically chooses the respective pseudo-ground (AIN1REF or AIN2REF) for each input selection.

6.11.3 PGAx Volume

Sets the volume/gain of the Programmable Gain Amplifier (PGA).

PGAxVOL[5:0]	Volume
01 1111	12 dB
...	...
01 1000	12 dB
...	...
00 0001	+0.5 dB
00 0000	0 dB
11 1111	-0.5 dB
...	...
11 0100	-6.0 dB
...	...
10 0000	-6.0 dB
Step Size:	0.5 dB

Notes:

1. Refer to [Figure 23](#) and [Figure 24 on page 69](#) for differential and integral nonlinearity (DNL and INL).

6.12 ADCx Attenuator Control: ADCAATT (Address 0Dh) & ADCBATT (Address 0Eh)

7	6	5	4	3	2	1	0
ADCxATT7	ADCxATT6	ADCxATT5	ADCxATT4	ADCxATT3	ADCxATT2	ADCxATT1	ADCxATT0

6.12.1 ADCx Volume

Sets the volume of the ADC signal.

ADCxATT[7:0]	Volume
0111 1111	0 dB
...	...
0000 0000	0 dB
1111 1111	-1.0 dB
1111 1110	-2.0 dB
...	...
1010 0000	-96.0 dB
...	...
1000 0000	-96.0 dB
Step Size:	1.0 dB

6.13 Playback Control 1 (Address 0Fh)

7	6	5	4	3	2	1	0
PDN_DSP	DEEMPH	Reserved	PLYBCKB=A	INV_PCMB	INV_PCMA	MSTBMUTE	MSTAMUTE

6.13.1 Power Down DSP

Configures the power state of the DSP Engine.

PDNDSP	DSP Status	DSP Engine Controls/Blocks
0	Powered Up	AMIXxMUTE ("ADC Mixer Channel x Mute" on page 51) AMIXxVOL[6:0] ("ADC Mixer Channel x Volume" on page 51)
1	Powered Down	PMIXxMUTE ("PCM Mixer Channel x Mute" on page 52) PMIXxVOL[6:0] ("PCM Mixer Channel x Volume" on page 52) Beep Generator, Tone Control, De-Emphasis

6.13.2 HP/Line De-Emphasis

Configures a 15 μ s/50 μ s digital de-emphasis filter response on the headphone and line outputs.

DEEMPH	De-Emphasis Status
0	Disabled
1	Enabled

6.13.3 Playback Channels B=A

Configures independent or ganged volume control of all playback channels.

PLYBCKB=A	Single Volume Control for all Playback Channels
0	Disabled; Independent channel control.
1	Enabled; Ganged channel control. Channel A volume control controls channel B volume.

Note: This function does not affect the AMIXBMUTE, PMIXBMUTE or MSTBMUTE control. When muting channel A in a ganged scenario, the MUTE_B must also be enabled. Muting channel A without muting channel B in a ganged scenario may cause clipping on channel B.

6.13.4 Invert PCM Signal Polarity

Configures the polarity of the digital input signal.

INV_PCMx	PCM Signal Polarity
0	Not Inverted
1	Inverted

6.13.5 Master Playback Mute

Configures a digital mute on the master volume control for channel x.

MSTxMUTE	Master Mute
0	Not muted.
1	Muted

6.14 ADCx Mixer Volume: ADCA (Address 10h) & ADCB (Address 11h)

7	6	5	4	3	2	1	0
AMIXxMUTE	AMIXxVOL6	AMIXxVOL5	AMIXxVOL4	AMIXxVOL3	AMIXxVOL2	AMIXxVOL1	AMIXxVOL0

6.14.1 ADC Mixer Channel x Mute

Configures a digital mute on the ADC mix in the DSP Engine.

AMIXxMUTE	ADC Mixer Mute
0	Disabled
1	Enabled

6.14.2 ADC Mixer Channel x Volume

Sets the volume/gain of the ADC mix in the DSP Engine.

AMIXxVOL[6:0]	Volume
001 1000	+12.0 dB
...	...
000 0001	+0.5 dB
000 0000	0 dB
111 1111	-0.5 dB
...	...
001 1001	-51.5 dB
Step Size:	0.5 dB

6.15 PCMx Mixer Volume: PCMA (Address 12h) & PCMB (Address 13h)

7	6	5	4	3	2	1	0
PMIXxMUTE	PMIXxVOL6	PMIXxVOL5	PMIXxVOL4	PMIXxVOL3	PMIXxVOL2	PMIXxVOL1	PMIXxVOL0

6.15.1 PCM Mixer Channel x Mute

Configures a digital mute on the PCM mix from the serial data input (SDIN) to the DSP Engine.

PMIXxMUTE	PCM Mixer Mute
0	Disabled
1	Enabled

6.15.2 PCM Mixer Channel x Volume

Sets the volume/gain of the PCM mix from the serial data input (SDIN) to the DSP Engine.

PMIXxVOL[6:0]	Volume
001 1000	+12.0 dB
...	...
000 0001	+0.5 dB
000 0000	0 dB
111 1111	-0.5 dB
...	...
001 1001	-51.5 dB
Step Size:	0.5 dB

6.16 Beep Frequency & On Time (Address 14h)

7	6	5	4	3	2	1	0
FREQ3	FREQ2	FREQ1	FREQ0	ONTIME3	ONTIME2	ONTIME1	ONTIME0

6.16.1 Beep Frequency

Sets the frequency of the beep signal.

FREQ[3:0]	Frequency ($F_s = 12, 24$ or 48 kHz)
0000	254.76 Hz
0001	509.51 Hz
0010	571.65 Hz
0011	651.04 Hz
0100	689.34 Hz
0101	756.04 Hz
0110	869.45 Hz
0111	976.56 Hz
1000	1019.02 Hz
1001	1171.88 Hz
1010	1302.08 Hz
1011	1378.67 Hz
1100	1562.50 Hz
1101	1674.11 Hz
1110	1953.13 Hz
1111	2130.68 Hz
Application:	"Beep Generator" on page 31

Notes:

1. This setting must not change when BEEP is enabled.
2. Beep frequency will scale directly with sample rate, F_s , but is fixed at the nominal F_s within each speed mode.

6.16.2 Beep On Time

Sets the on duration of the beep signal.

ONTIME[3:0]	On Time ($F_s = 12, 24$ or 48 kHz)
0000	~86 ms
0001	~430 ms
0010	~780 ms
0011	~1.20 s
0100	~1.50 s
0101	~1.80 s
0110	~2.20 s
0111	~2.50 s
1000	~2.80 s
1001	~3.20 s
1010	~3.50 s
1011	~3.80 s
1100	~4.20 s
1101	~4.50 s
1110	~4.80 s
1111	~5.20 s
Application:	"Beep Generator" on page 31

Notes:

1. This setting must not change when BEEP is enabled.
2. Beep on time will scale inversely with sample rate, F_s , but is fixed at the nominal F_s within each speed mode.

6.17 Beep Volume & Off Time (Address 15h)

7	6	5	4	3	2	1	0
OFFTIME2	OFFTIME1	OFFTIME0	BPVOL4	BPVOL3	BPVOL2	BPVOL1	BPVOL0

6.17.1 Beep Off Time

Sets the off duration of the beep signal.

OFFTIME[2:0]	Off Time ($F_s = 12, 24$ or 48 kHz)
000	~1.23 s
001	~2.58 s
010	~3.90 s
011	~5.20 s
100	~6.60 s
101	~8.05 s
110	~9.35 s
111	~10.80 s
Application:	"Beep Generator" on page 31

Notes:

1. This setting must not change when BEEP and/or REPEAT is enabled.
2. Beep off time will scale inversely with sample rate, F_s , but is fixed at the nominal F_s within each speed mode.

6.17.2 Beep Volume

Sets the volume of the beep signal.

BPVOL[4:0]	Gain
00110	+12.0 dB
...	...
00000	0 dB
11111	-2 dB
11110	-4 dB
...	...
00111	-50 dB
Step Size:	2 dB
Application:	"Beep Generator" on page 31

Note: This setting must not change when BEEP is enabled.

6.18 Beep & Tone Configuration (Address 16h)

7	6	5	4	3	2	1	0
BEEP1	BEEP0	Reserved	TREBCF1	TREBCF0	BASSCF1	BASSCF0	TCEN

6.18.1 Beep Configuration

Configures a beep mixed with the HP and Line output.

BEEP[1:0]	Beep Occurrence
00	Off
01	Single
10	Multiple
11	Continuous
Application:	"Beep Generator" on page 31

Notes:

1. When used in analog pass through mode, the output alternates between the signal from the PGA and the beep signal. The beep signal does not mix with the analog signal from the PGA.
2. Re-engaging the beep before it has completed its initial cycle will cause the beep signal to remain ON for the maximum ONTIME duration.

6.18.2 Treble Corner Frequency

Sets the corner frequency for the treble shelving filter.

TREBCF[1:0]	Treble Corner Frequency Setting
00	5 kHz
01	7 kHz
10	10 kHz
11	15 kHz

6.18.3 Bass Corner Frequency

Sets the corner frequency for the bass shelving filter.

BASSCF[1:0]	Bass Corner Frequency Setting
00	50 Hz
01	100 Hz
10	200 Hz
11	250 Hz

6.18.4 Tone Control Enable

Configures the treble and bass activation.

TCEN	Bass and Treble Control
0	Disabled
1	Enabled

6.19 Tone Control (Address 17h)

7	6	5	4	3	2	1	0
TREB3	TREB2	TREB1	TREB0	BASS3	BASS2	BASS1	BASS0

6.19.1 Treble Gain

Sets the gain of the treble shelving filter.

TREB[3:0]	Gain Setting
0000	+12.0 dB
...	...
0111	+1.5 dB
1000	0 dB
1001	-1.5 dB
...	...
1111	-10.5 dB
Step Size:	1.5 dB

6.19.2 Bass Gain

Sets the gain of the bass shelving filter.

BASS[3:0]	Gain Setting
0000	+12.0 dB
...	...
0111	+1.5 dB
1000	0 dB
1001	-1.5 dB
...	...
1111	-10.5 dB
Step Size:	1.5 dB

6.20 Master Volume Control: MSTA (Address 18h) & MSTB (Address 19h)

7	6	5	4	3	2	1	0
MSTxVOL7	MSTxVOL6	MSTxVOL5	MSTxVOL4	MSTxVOL3	MSTxVOL2	MSTxVOL1	MSTxVOL0

6.20.1 Master Volume Control

Sets the volume of the signal out the DSP.

MSTxVOL[7:0]	Master Volume
0001 1000	+12.0 dB
...	...
0000 0000	0 dB
1111 1111	-0.5 dB
1111 1110	-1.0 dB
...	...
0011 0100	-102 dB
...	...
0001 1001	-102 dB
Step Size:	0.5 dB

6.21 Headphone Volume Control: HPA (Address 1Ah) & HPB (Address 1Bh)

7	6	5	4	3	2	1	0
HPxMUTE	HPxVOL6	HPxVOL5	HPxVOL4	HPxVOL3	HPxVOL2	HPxVOL1	HPxVOL0

6.21.1 Headphone Channel x Mute

Configures an analog mute on the headphone amplifier.

HPxMUTE	HP Amp Mute
0	Disabled
1	Enabled

6.21.2 Headphone Volume Control

Sets the volume of the signal out of the headphone amplifier.

HPxVOL[6:0]	Headphone Volume
0111111	12 dB
...	...
0001100	12 dB
...	...
0000001	+1.0 dB
0000000	0 dB
1111111	-1.0 dB
...	...
1000100	-60.0 dB (Actual volume is approximately -58 dB. (Note 1))
...	...
1000000	-60.0 dB (Actual volume is approximately -58 dB. (Note 1))
Step Size:	1.0 dB

Note:

1. The step size may deviate from 1.0 dB. Refer to [Figure 25](#) and [Figure 26](#) on page 69.

6.22 Line Volume Control: LINEA (Address 1Ch) & LINEB (Address 1Dh)

7	6	5	4	3	2	1	0
LINExMUTE	LINExVOL6	LINExVOL5	LINExVOL4	LINExVOL3	LINExVOL2	LINExVOL1	LINExVOL0

6.22.1 Line Channel x Mute

Configures an analog mute on the line amplifier.

LINExMUTE	HP Amp Mute
0	Disabled
1	Enabled

6.22.2 Line Volume Control

Sets the volume of the signal out of the line amplifier.

LINExVOL[6:0]	Line Volume
0111111	12 dB
...	...
0001100	12 dB
...	...
0000001	+1.0 dB
0000000	0 dB
1111111	-1.0 dB
...	...
1000100	-60.0 dB (Actual volume is approximately -58 dB. (Note 1))
...	...
1000000	-60.0 dB (Actual volume is approximately -58 dB. (Note 1))
Step Size:	1.0 dB

Note:

1. The step size may deviate from 1.0 dB. Refer to [Figure 25 on page 69](#) and [Figure 26 on page 69](#).

6.23 Analog Input Advisory Volume (Address 1Eh)

7	6	5	4	3	2	1	0
AINADV7	AINADV6	AINADV5	AINADV4	AINADV3	AINADV2	AINADV1	AINADV0

6.23.1 Analog Input Advisory Volume

Defines the maximum analog input volume level used by the class H controller to determine the appropriate supply for the HP and Line amplifiers.

AINADV[7:0]	Defined Input Volume
0001 1000	Reserved
...	...
0000 0001	Reserved
0000 0000	0 dB
1111 1111	-0.5 dB
1111 1110	-1.0 dB
...	...
0011 0100	-102 dB
...	...
0001 1001	-102 dB
Step Size:	0.5 dB

6.24 Digital Input Advisory Volume (Address 1Fh)

7	6	5	4	3	2	1	0
DINADV7	DINADV6	DINADV5	DINADV4	DINADV3	DINADV2	DINADV1	DINADV0

6.24.1 Digital Input Advisory Volume

Defines the maximum digital input volume level used by the class H controller to determine the appropriate supply for the HP and Line amplifiers.

DINADV[7:0]	Defined Input Volume
0001 1000	Reserved
...	...
0000 0001	Reserved
0000 0000	0 dB
1111 1111	-0.5 dB
1111 1110	-1.0 dB
...	...
0011 0100	-102 dB
...	...
0001 1001	-102 dB
Step Size:	0.5 dB

Note: Between the headphone and line, the final output voltage from the charge pump is dictated by the highest required advisory volume. When any respective amplifier is powered down, the charge pump's voltage automatically adjusts to the appropriate level.

6.25 ADC & PCM Channel Mixer (Address 20h)

7	6	5	4	3	2	1	0
PCMBSWP1	PCMBSWP0	PCMASWP1	PCMASWP0	ADCBSWP1	ADCBSWP0	ADCASWP1	ADCASWP0

6.25.1 PCM Mix Channel Swap

Configures a mix/swap of the PCM Mix to the headphone/line outputs.

PCMxSWP[1:0]	PCM Mix to HP/LINEOUTA	PCM Mix to HP/LINEOUTB
00	Left	Right
01	(Left + Right)/2	(Left + Right)/2
10		
11	Right	Left

6.25.2 ADC Mix Channel Swap

Configures a mix/swap of the ADC Mix to the headphone/line outputs .

ADCxSWP[1:0]	ADC Mix to HP/LINEOUTA Channel	ADC Mix to HP/LINEOUTB Channel
00	Left	Right
01	(Left + Right)/2	(Left + Right)/2
10		
11	Right	Left

6.26 Limiter Min/Max Thresholds (Address 21h)

7	6	5	4	3	2	1	0
LMAX2	LMAX1	LMAX0	CUSH2	CUSH1	CUSH0	Reserved	Reserved

6.26.1 Limiter Maximum Threshold

Sets the maximum level, below full-scale, at which to limit and attenuate the output signal at the attack rate (LIMARATE - [“Limiter Release Rate” on page 62](#)).

LMAX[2:0]	Threshold Setting
000	0 dB
001	-3 dB
010	-6 dB
011	-9 dB
100	-12 dB
101	-18 dB
110	-24 dB
111	-30 dB
Application:	“Limiter” on page 32

Note: Bass, Treble and digital gain settings that boost the signal beyond the maximum threshold may trigger an attack.

6.26.2 Limiter Cushion Threshold

Sets the minimum level at which to disengage the Limiter's attenuation at the release rate (LIMRRATE - "Limiter Release Rate" on page 62) until levels lie between the LMAX and CUSH thresholds.

CUSH[2:0]	Threshold Setting
000	0 dB
001	-3 dB
010	-6 dB
011	-9 dB
100	-12 dB
101	-18 dB
110	-24 dB
111	-30 dB
Application:	"Limiter" on page 32

Note: This setting is usually set slightly below the LMAX threshold.

6.27 Limiter Control, Release Rate (Address 22h)

7	6	5	4	3	2	1	0
LIMIT	LIMIT_ALL	LIMRRATE5	LIMRRATE4	LIMRRATE3	LIMRRATE2	LIMRRATE1	LIMRRATE0

6.27.1 Peak Detect and Limiter

Configures the peak detect and limiter circuitry.

LIMIT	Limiter Status
0	Disabled
1	Enabled
Application:	"Limiter" on page 32

6.27.2 Peak Signal Limit All Channels

Sets how channels are attenuated when the limiter is enabled.

LIMIT_ALL	Limiter action:
0	Apply the necessary attenuation on a specific channel only when the signal amplitudes on <i>that</i> specific channel rises above LMAX. Remove attenuation on a specific channel only when the signal amplitude on <i>that</i> specific channel falls below CUSH.
1	Apply the necessary attenuation on BOTH channels when the signal amplitudes on any ONE channel rises above LMAX. Remove attenuation on BOTH channels only when the signal amplitude on BOTH channels fall below CUSH.
Application:	"Limiter" on page 32

6.27.3 Limiter Release Rate

Sets the rate at which the limiter releases the digital attenuation from levels below the CUSH[2:0] threshold (“Limiter Cushion Threshold” on page 61) and returns the analog output level to the MSTxVOL[7:0] (“Master Volume Control” on page 57) setting.

LIMRRATE[5:0]	Release Time
00 0000	Fastest Release
...	...
11 1111	Slowest Release
Application:	“Limiter” on page 32

Note: The limiter release rate is user-selectable but is also a function of the sampling frequency, Fs, and the DIGSFT (“Digital Soft Ramp” on page 46) setting unless the disable bit (“Limiter Soft Ramp Disable” on page 66) is enabled.

6.28 Limiter Attack Rate (Address 23h)

7	6	5	4	3	2	1	0
Reserved	Reserved	LIMARATE5	LIMARATE4	LIMARATE3	LIMARATE2	LIMARATE1	LIMARATE0

6.28.1 Limiter Attack Rate

Sets the rate at which the limiter applies digital attenuation from levels above the MAX[2:0] threshold (“Limiter Maximum Threshold” on page 60).

LIMARATE[5:0]	Attack Time
00 0000	Fastest Attack
...	...
11 1111	Slowest Attack
Application:	“Limiter” on page 32

Note: The limiter attack rate is user-selectable but is also a function of the sampling frequency, Fs, and the DIGSFT (“Digital Soft Ramp” on page 46) setting unless the disable bit (“Limiter Soft Ramp Disable” on page 66) is enabled.

6.29 ALC Enable & Attack Rate (Address 24h)

7	6	5	4	3	2	1	0
ALCB	ALCA	ALCARATE5	AALCRATE4	ALCARATE3	ALCARATE2	ALCARATE1	ALCARATE0

6.29.1 ALCx

Configures the automatic level controller (ALC).

ALC	ALC Status
0	Disabled
1	Enabled
Application:	“Automatic Level Control (ALC)” on page 24

6.29.2 ALC Attack Rate

Sets the rate at which the ALC applies analog and/or digital attenuation from levels above the AMAX[2:0] threshold (“[ALC Maximum Threshold](#)” on page 64).

ALCARATE[5:0]	Attack Time
00 0000	Fastest Attack
...	...
11 1111	Slowest Attack
Application:	“ Automatic Level Control (ALC) ” on page 24

Note: The ALC attack rate is user-selectable but is also a function of the sampling frequency, Fs, the ANLGZCx (“[Analog Zero Cross](#)” on page 46) and the DIGSFT (“[Digital Soft Ramp](#)” on page 46) setting unless the respective disable bit (“[ALCx Soft Ramp Disable](#)” on page 65 or “[ALCx Zero Cross Disable](#)” on page 65) is enabled.

6.30 ALC Release Rate (Address 25h)

7	6	5	4	3	2	1	0
Reserved	Reserved	ALCRRATE5	ALCRRATE4	ALCRRATE3	ALCRRATE2	ALCRRATE1	ALCRRATE0

6.30.1 ALC Release Rate

Sets the rate at which the ALC releases the analog and/or digital attenuation from levels below the MIN[2:0] threshold (“[Limiter Cushion Threshold](#)” on page 61) and returns the signal level to the PGAX-VOL[5:0] (“[PGAx Volume](#)” on page 49) and ADCxVOL[7:0] (“[ADCx Volume](#)” on page 50) setting.

ALCRRATE[5:0]	Release Time
00 0000	Fastest Release
...	...
11 1111	Slowest Release
Application:	“ Automatic Level Control (ALC) ” on page 24

Notes:

1. The ALC release rate is user-selectable but is also a function of the sampling frequency, Fs, and the DIGSFT (“[Digital Soft Ramp](#)” on page 46) and ANLGZCx (“[Analog Zero Cross](#)” on page 46) setting.
2. The Release Rate setting must always be slower than the Attack Rate.

6.31 ALC Threshold (Address 26h)

7	6	5	4	3	2	1	0
ALCMAX2	ALCMAX1	ALCMAX0	ALCMIN2	ALCMIN1	ALCMIN0	Reserved	Reserved

6.31.1 ALC Maximum Threshold

Sets the maximum level, below full-scale, at which to limit and attenuate the input signal at the attack rate (ALCARATE - [“ALC Attack Rate” on page 63](#)).

MAX[2:0]	Threshold Setting
000	0 dB
001	-3 dB
010	-6 dB
011	-9 dB
100	-12 dB
101	-18 dB
110	-24 dB
111	-30 dB
Application:	“Automatic Level Control (ALC)” on page 24

6.31.2 ALC Minimum Threshold

Sets the minimum level at which to disengage the ALC’s attenuation or amplify the input signal at the release rate (ALCRRATE - [“ALC Release Rate” on page 63](#)) until levels lie between the ALCMAX and ALCMIN thresholds.

ALCMIN[2:0]	Threshold Setting
000	0 dB
001	-3 dB
010	-6 dB
011	-9 dB
100	-12 dB
101	-18 dB
110	-24 dB
111	-30 dB
Application:	“Automatic Level Control (ALC)” on page 24

Note: This setting is usually set slightly below the ALCMAX threshold.

6.32 Noise Gate Control (Address 27h)

7	6	5	4	3	2	1	0
NGALL	NG	NG_BOOST	THRESH2	THRESH1	THRESH0	NGDELAY1	NGDELAY0

6.32.1 Noise Gate All Channels

Sets which channels are attenuated when clipping on any single channel occurs.

NGALL	Noise Gate triggered by:
0	Individual channel; Any channel that falls below the threshold setting triggers the noise gate attenuation for ONLY that channel.
1	Both channels A & B; Both channels must fall below the threshold setting for the noise gate attenuation to take effect.

6.32.2 Noise Gate Enable

Configures the noise gate.

NG	Noise Gate Status
0	Disabled
1	Enabled

6.32.3 Noise Gate Threshold and Boost

THRESH sets the threshold level of the noise gate. Input signals below the threshold level will be attenuated to -96 dB. NG_BOOST configures a +30 dB boost to the threshold settings.

THRESH[2:0]	Minimum Setting (NG_BOOST = '0'b)	Minimum Setting (NG_BOOST = '1'b)
000	-64 dB	-34 dB
001	-67 dB	-36 dB
010	-70 dB	-40 dB
011	-73 dB	-43 dB
100	-76 dB	-46 dB
101	-82 dB	-52 dB
110	Reserved	-58 dB
111	Reserved	-64 dB

6.32.4 Noise Gate Delay Timing

Sets the delay time before the noise gate attacks.

NGDELAY[1:0]	Delay Setting
00	50 ms
01	100 ms
10	150 ms
11	200 ms

Note: The Noise Gate attack rate is a function of the sampling frequency, F_s , and the DIGSFT ([“Digital Soft Ramp” on page 46](#)) setting unless the disable bit ([“ALCx Soft Ramp Disable” on page 65](#)) is enabled.

6.33 ALC and Limiter Soft Ramp, Zero Cross Disables (Address 28h)

7	6	5	4	3	2	1	0
ALCBSRDIS	ALCBZCDIS	ALCASRDIS	ALCAZCDIS	LIMSRDIS		Reserved	Reserved

6.33.1 ALCx Soft Ramp Disable

Configures an override of the analog soft ramp setting.

ALCxSRDIS	ALC Soft Ramp Disable
0	OFF; ALC Attack Rate is dictated by the DIGSFT (“Digital Soft Ramp” on page 46) setting
1	ON; ALC volume changes take effect in one step, regardless of the DIGSFT setting.

6.33.2 ALCx Zero Cross Disable

Configures an override of the analog zero cross setting.

ALCxZCDIS	ALC Zero Cross Disable
0	OFF; ALC Attack Rate is dictated by the ANLGZC (“Analog Zero Cross” on page 46) setting
1	ON; ALC volume changes take effect at any time, regardless of the ANLGZC setting.

6.33.3 Limiter Soft Ramp Disable

Configures an override of the digital soft ramp setting.

LIMSRDIS	Limiter Soft Ramp Disable
0	OFF; Limiter Attack Rate is dictated by the DIGSFT (" Digital Soft Ramp " on page 46) setting
1	ON; Limiter volume changes take effect in one step, regardless of the DIGSFT setting.

6.34 Status (Address 29h) (Read Only)

For bits [6:0] in this register, a "1" means the associated error condition has occurred at least once since the register was last read. A "0" means the associated error condition has NOT occurred since the last reading of the register. Reading the register resets these bits to 0.

7	6	5	4	3	2	1	0
HPDETECT	SPCLKERR	DSPBOVFL	DSPAOVFL	MIXBOVFL	MIXAOVFL	ADCBOVFL	ADCAOVFL

6.34.1 HPDETECT Pin Status (Read Only)

Indicates the status of the HPDETECT pin.

HPDETECT	Pin State
0	Low
1	High

6.34.2 Serial Port Clock Error (Read Only)

Indicates the status of the MCLK to LRCK ratio.

SPCLKERR	Serial Port Clock Status:
0	MCLK/LRCK ratio is valid.
1	MCLK/LRCK ratio is not valid.
Application:	"Serial Port Clocking" on page 34

Note: On initial power up and application of clocks, this bit will report '1'b as the serial port re-synchronizes.

6.34.3 DSP Engine Overflow (Read Only)

Indicates the over-range status in the DSP data path.

DSPxOVFL	DSP Overflow Status:
0	No digital clipping has occurred in the data path after the DSP.
1	Digital clipping has occurred in the data path after the DSP.

6.34.4 MIXx Overflow (Read Only)

Indicates the over-range status in the PCM mix data path.

MIXxOVFL	PCM Overflow Status:
0	No digital clipping has occurred in the data path of the ADC and PCM mix of the DSP.
1	Digital clipping has occurred in the data path of the ADC and PCM mix of the DSP.

6.34.5 ADCx Overflow (Read Only)

Indicates the over-range status in the ADC signal path.

ADCxOVFL	ADC Overflow Status:
0	No clipping has occurred anywhere in the ADC signal path.
1	Clipping has occurred in the ADC signal path.

6.35 Charge Pump Frequency (Address 2Ah)

7	6	5	4	3	2	1	0
Reserved	Reserved	Reserved	Reserved	CHGFREQ3	CHGFREQ2	CHGFREQ1	CHGFREQ0

6.35.1 Charge Pump Frequency

Sets the charge pump frequency on FLYN and FLYP.

CHGFREQ[3:0]	N
0000	0
...	
0101	5
...	
1111	15
Formula:	Frequency = 1.5 MHz/(N+2)

Note: The output THD+N performance improves at higher frequencies; power consumption increases at higher frequencies.

7. PCB LAYOUT CONSIDERATIONS

7.1 Power Supply

As with any high-resolution converter, the CS42L55 requires careful attention to power supply and grounding arrangements if its potential performance is to be realized. [Figure 1 on page 10](#) shows the recommended power arrangements, with VA and VCP connected to clean supplies. VLDO, which powers the digital circuitry, may be run from the system logic supply. Alternatively, VLDO may be powered from the analog supply via a ferrite bead. In this case, no additional devices should be powered from VLDO.

7.2 Grounding

Extensive use of power and ground planes, ground plane fill in unused areas and surface mount decoupling capacitors are recommended. Decoupling capacitors should be as close to the pins of the CS42L55 as possible. The low value ceramic capacitor should be closest to the pin and should be mounted on the same side of the board as the CS42L55 to minimize inductance effects. All signals, especially clocks, should be kept away from the FILT+ and VQ pins in order to avoid unwanted coupling into the modulators. The FILT+, VQ, +VHPFILT and -VHPFILT capacitors must be positioned to minimize the electrical path from each respective pin to AGND. The CDB42L55 evaluation board demonstrates the optimum layout and power supply arrangements.

7.3 QFN Thermal Pad

The CS42L55 comes in a compact QFN package. The under side of the QFN package reveals a large metal pad that serves as a thermal relief to provide for maximum heat dissipation. This pad must mate with an equally dimensioned copper pad on the PCB and must be electrically connected to ground. A series of vias should be used to connect this copper pad to one or more larger ground planes on other PCB layers. In split ground systems, it is recommended that this thermal pad be connected to AGND for best performance. The CDB42L55 evaluation board demonstrates the optimum thermal pad and via configuration.

8. ANALOG VOLUME NON-LINEARITY (DNL & INL)

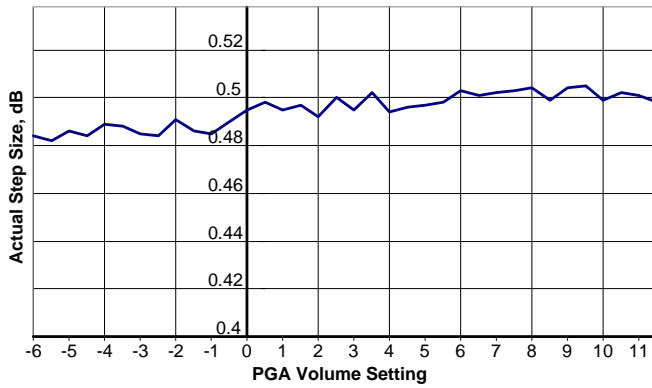


Figure 23. PGA Step Size vs. Volume Setting

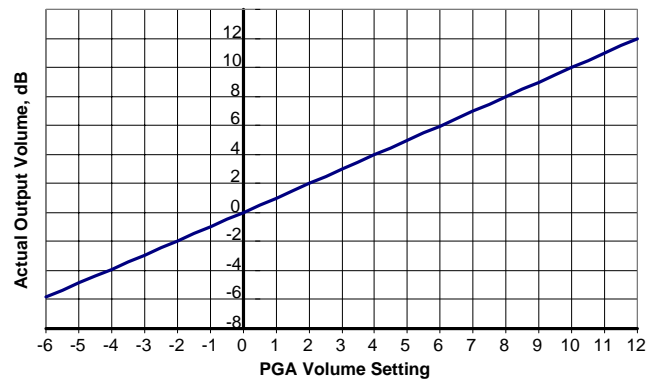


Figure 24. PGA Output Volume vs. Volume Setting

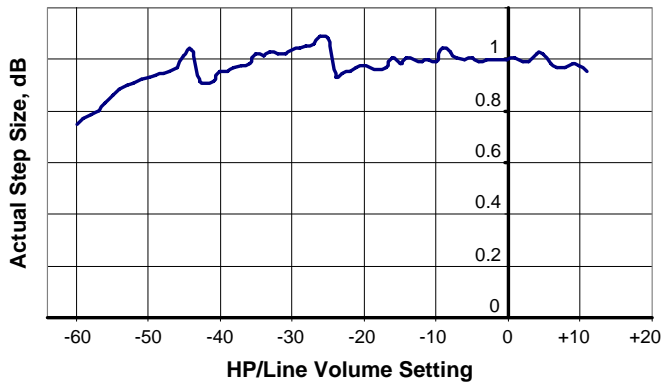


Figure 25. HP/Line Step Size vs. Volume Setting

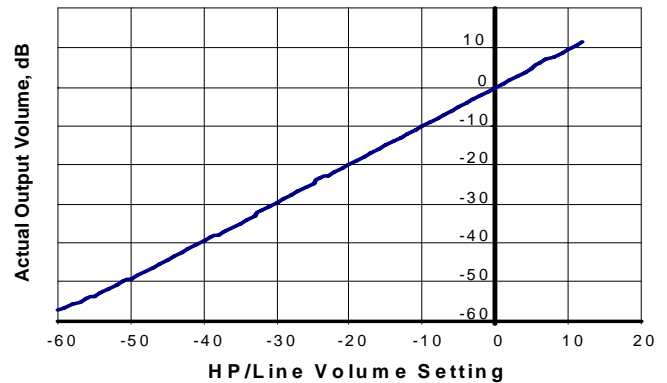


Figure 26. HP/Line Output Volume vs. Volume Setting

9. ADC & DAC DIGITAL FILTERS

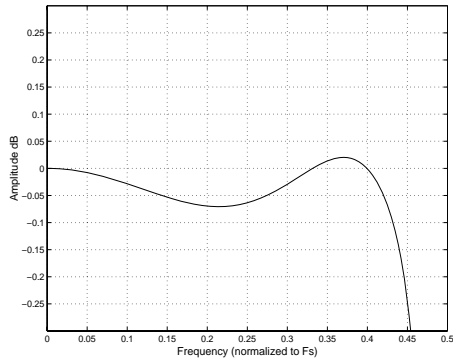


Figure 27. ADC Passband Ripple

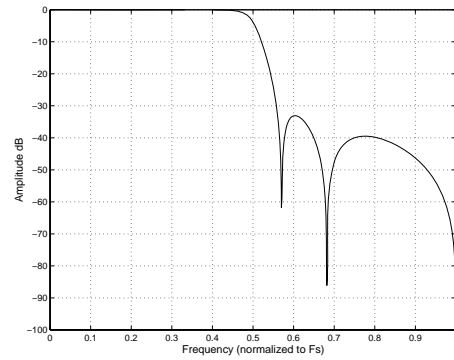


Figure 28. ADC Stopband Rejection

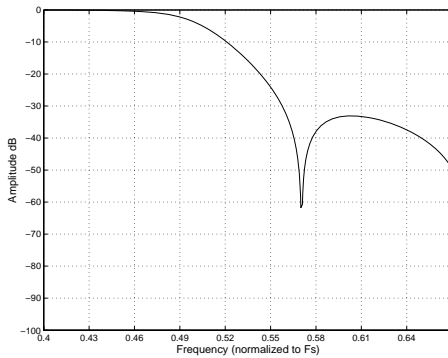


Figure 29. ADC Transition Band

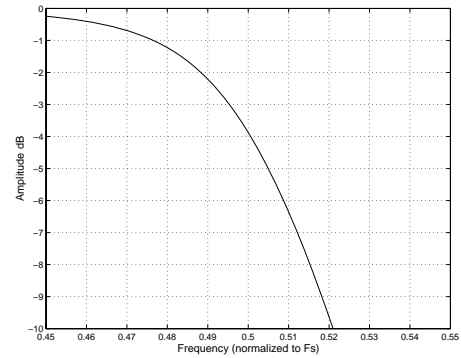


Figure 30. ADC Transition Band Detail

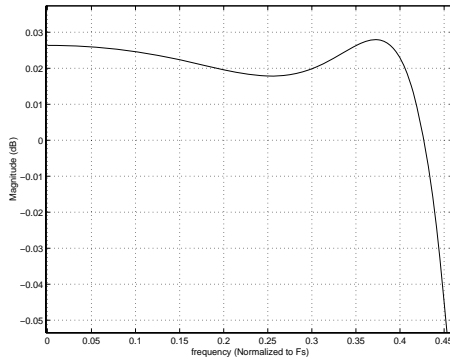


Figure 31. DAC Passband Ripple

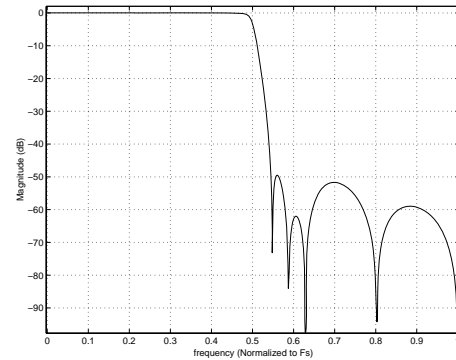


Figure 32. DAC Stopband

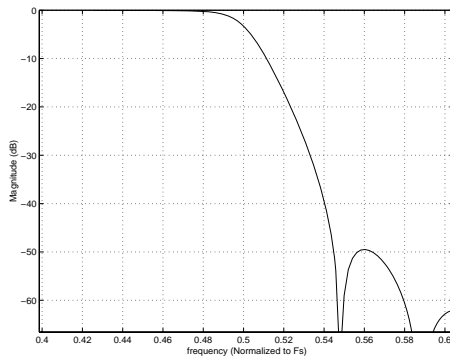


Figure 33. DAC Transition Band

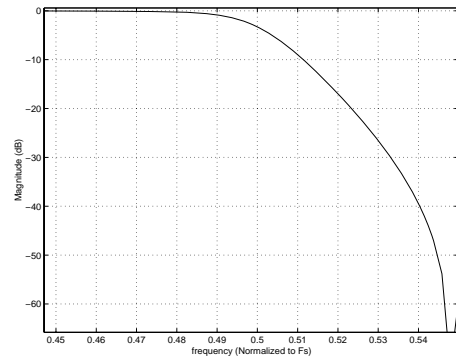


Figure 34. DAC Transition Band (Detail)

10. PARAMETER DEFINITIONS

Dynamic Range

The ratio of the rms value of the signal to the rms sum of all other spectral components over the specified bandwidth. Dynamic Range is a signal-to-noise ratio measurement over the specified band width made with a -60 dB signal. 60 dB is added to resulting measurement to refer the measurement to full-scale. This technique ensures that the distortion components are below the noise level and do not affect the measurement. This measurement technique has been accepted by the Audio Engineering Society, AES17-1991, and the Electronic Industries Association of Japan, EIAJ CP-307. Expressed in decibels.

Total Harmonic Distortion + Noise

The ratio of the rms value of the signal to the rms sum of all other spectral components over the specified bandwidth (typically 10 Hz to 20 kHz), including distortion components. Expressed in decibels. Measured at -1 dBFS and -20 dBFS for the analog input and 0 dB and -20 dB for the analog output as suggested in AES17-1991 Annex A.

Frequency Response

A measure of the amplitude response variation from 10 Hz to 20 kHz relative to the amplitude response at 1 kHz. Units in decibels.

Interchannel Isolation

A measure of crosstalk between the left and right channel pairs. Measured for each channel at the converter's output with no signal to the input under test and a full-scale signal applied to the other channel. Units in decibels.

HP to ADC Isolation

A measure of crosstalk between the headphone amplifier and the ADC inputs. Measured for each channel at the ADC's output with no signal to the input and a full-scale signal applied to the headphone amplifier with a 16 Ω or 10 k Ω load. Units in decibels.

Output Offset Voltage

Describes the DC offset voltage present at the amplifier's output during a MUTE state. When measuring the offset out the line amplifier, the line amplifier is ON while the headphone amplifier is OFF; when measuring the offset out the headphone amplifier, the headphone amplifier is ON while the line amplifier is OFF. The offset observed at the output of the HP/Line amplifiers is a result of the non-infinite CMRR of the output amplifier that exists due to CMOS process limitations and is proportional to the analog volume settings.

AC Load Resistance and Capacitance

R_L and C_L reflect the recommended minimum resistance and maximum capacitance required for the internal op-amp's stability and signal integrity. C_L will effectively move the band-limiting pole of the amp in the output stage. Increasing this value beyond the recommended 150 pF can cause the internal op-amp to become unstable.

Interchannel Gain Mismatch

The gain difference between left and right channel pairs. Units in decibels.

Gain Error

The deviation from the nominal full-scale analog output for a full-scale digital input.

Gain Drift

The change in gain value with temperature. Units in ppm/ $^{\circ}$ C.

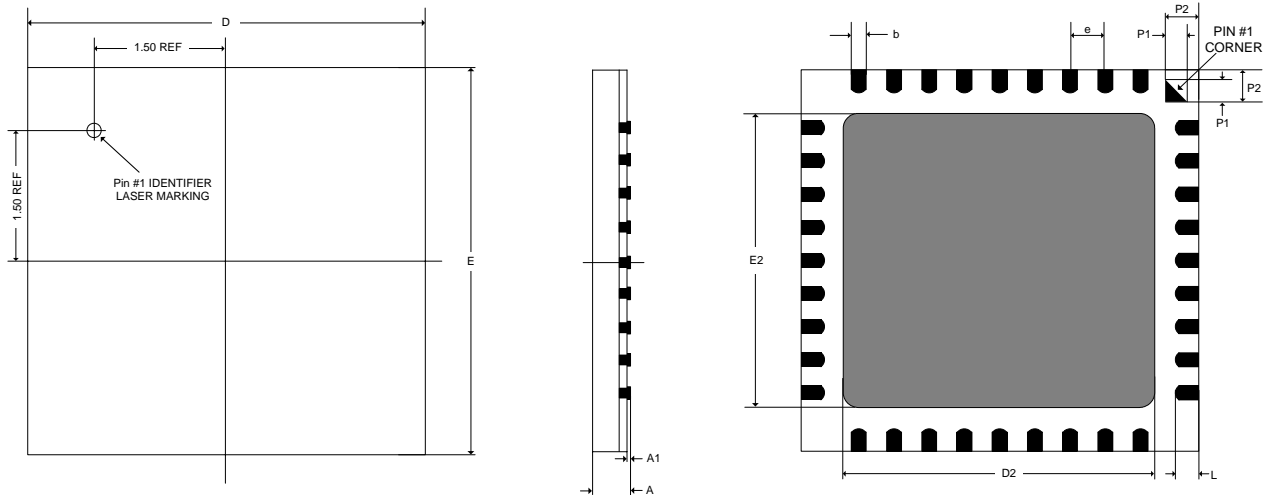
Offset Error

The deviation of the mid-scale transition (111...111 to 000...000) from the ideal.

11. PACKAGE DIMENSIONS

(Unless otherwise specified, linear tolerance is ± 0.05 mm, and angular tolerance is ± 2 deg.)

36L QFN (5 X 5 mm BODY) PACKAGE DRAWING (Note 2)



Dim	INCHES			MILLIMETERS			NOTE
	MIN	NOM	MAX	MIN	NOM	MAX	
A	0.01773		0.0197	0.45	-	0.50	1,3
A1	0.00000		0.00197	0.00	-	0.05	1,3
b	0.00591	0.00788	0.00985	0.15	0.20	0.25	1,3,4
e		0.01576			0.40 REF		1,3
D	0.19503	0.1970	0.19897	4.95	5.00	5.05	1,3
E	0.19503	0.1970	0.19897	4.95	5.00	5.05	1,3
D2	0.13593	0.1379	0.13987	3.45	3.50	3.55	1,3
E2	0.13593	0.1379	0.13987	3.45	3.50	3.55	1,3
L	0.01379	0.1576	0.01773	0.35	0.40	0.45	1,3
P1	0.00985	0.01182	0.01379	0.25	0.30	0.35	1,3
P2	0.00985	0.01182	0.01379	0.25	0.30	0.35	1,3

JEDEC #: MO-220

Controlling Dimension is Millimeters.

1. Controlling dimensions are in millimeters.
2. Unless otherwise specified tolerance: Linear ± 0.05 mm, Angular ± 2 deg.
3. Dimensioning and tolerances per ASME Y 14.5M-1994.
4. Dimension lead width applies to the plated terminal and is measured 0.15 mm and 0.30 mm from the terminal tip.

THERMAL CHARACTERISTICS

Parameter		Symbol	Min	Typ	Max	Units
Junction to Ambient Thermal Impedance	2 Layer Board	θ_{JA}	-	68	-	$^{\circ}\text{C}/\text{Watt}$
	4 Layer Board	θ_{JA}	-	28	-	$^{\circ}\text{C}/\text{Watt}$

12. ORDERING INFORMATION

Product	Description	Package	Pb-Free	Grade	Temp Range	Container	Order #
CS42L55	Ultra Low Power, Stereo CODEC w/ Class H HP Amp for Portable Apps	36L-QFN	YES	Commercial	-40°C to +85°C	Rail	CS42L55-CNZ
						Tape & Reel	CS42L55-CNZR
CDB42L55	CS42L55 Evaluation Board	-	No	-	-	-	CDB42L55

13. REFERENCES

1. Philips Semiconductor, *The I²C-Bus Specification: Version 2.1*, January 2000.
<http://www.semiconductors.philips.com>

14. REVISION HISTORY

Revision	Changes
F1	Initial Release

Contacting Cirrus Logic Support

For all product questions and inquiries contact a Cirrus Logic Sales Representative.

To find the one nearest to you go to www.cirrus.com/corporate/contacts/sales.cfm

IMPORTANT NOTICE

Cirrus Logic, Inc. and its subsidiaries ("Cirrus") believe that the information contained in this document is accurate and reliable. However, the information is subject to change without notice and is provided "AS IS" without warranty of any kind (express or implied). Customers are advised to obtain the latest version of relevant information to verify, before placing orders, that information being relied on is current and complete. All products are sold subject to the terms and conditions of sale supplied at the time of order acknowledgment, including those pertaining to warranty, indemnification, and limitation of liability. No responsibility is assumed by Cirrus for the use of this information, including use of this information as the basis for manufacture or sale of any items, or for infringement of patents or other rights of third parties. This document is the property of Cirrus and by furnishing this information, Cirrus grants no license, express or implied under any patents, mask work rights, copyrights, trademarks, trade secrets or other intellectual property rights. Cirrus owns the copyrights associated with the information contained herein and gives consent for copies to be made of the information only for use within your organization with respect to Cirrus integrated circuits or other products of Cirrus. This consent does not extend to other copying such as copying for general distribution, advertising or promotional purposes, or for creating any work for resale.

CERTAIN APPLICATIONS USING SEMICONDUCTOR PRODUCTS MAY INVOLVE POTENTIAL RISKS OF DEATH, PERSONAL INJURY, OR SEVERE PROPERTY OR ENVIRONMENTAL DAMAGE ("CRITICAL APPLICATIONS"). CIRRUS PRODUCTS ARE NOT DESIGNED, AUTHORIZED OR WARRANTED FOR USE IN PRODUCTS SURGICALLY IMPLANTED INTO THE BODY, AUTOMOTIVE SAFETY OR SECURITY DEVICES, LIFE SUPPORT PRODUCTS OR OTHER CRITICAL APPLICATIONS. INCLUSION OF CIRRUS PRODUCTS IN SUCH APPLICATIONS IS UNDERSTOOD TO BE FULLY AT THE CUSTOMER'S RISK AND CIRRUS DISCLAIMS AND MAKES NO WARRANTY, EXPRESS, STATUTORY OR IMPLIED, INCLUDING THE IMPLIED WARRANTIES OF MERCHANTABILITY AND FITNESS FOR PARTICULAR PURPOSE, WITH REGARD TO ANY CIRRUS PRODUCT THAT IS USED IN SUCH A MANNER. IF THE CUSTOMER OR CUSTOMER'S CUSTOMER USES OR PERMITS THE USE OF CIRRUS PRODUCTS IN CRITICAL APPLICATIONS, CUSTOMER AGREES, BY SUCH USE, TO FULLY INDEMNIFY CIRRUS, ITS OFFICERS, DIRECTORS, EMPLOYEES, DISTRIBUTORS AND OTHER AGENTS FROM ANY AND ALL LIABILITY, INCLUDING ATTORNEYS' FEES AND COSTS, THAT MAY RESULT FROM OR ARISE IN CONNECTION WITH THESE USES.

Cirrus Logic, Cirrus, and the Cirrus Logic logo designs are trademarks of Cirrus Logic, Inc. All other brand and product names in this document may be trademarks or service marks of their respective owners.

I²C is a registered trademark of Philips Semiconductor.