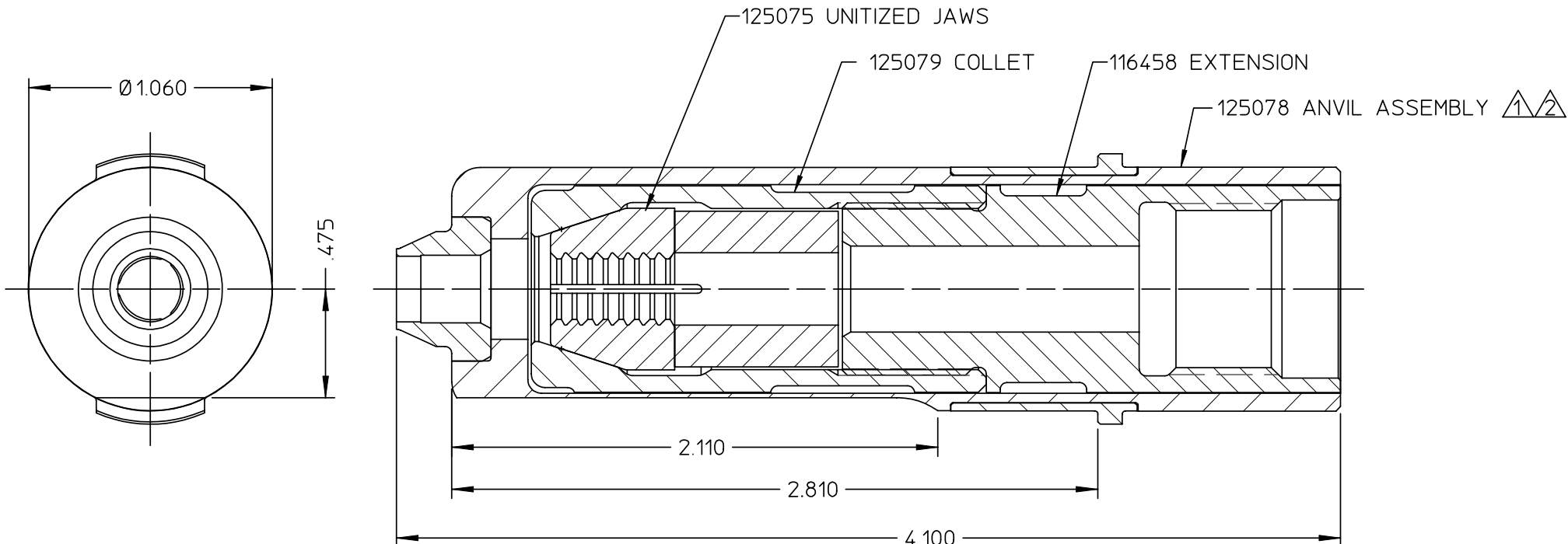


DATA SHEET



Alcoa Fastening Systems

Commercial Products
1 Corporate Drive, Kingston, NY 12401

99-2722

Part Number

TYPE:	NON-SELF-RELEASING	
FASTENER:	-12 BB	
TOOL(S):	245, 353	
Notes:	Product Revision:	A
US Patent:	Date:	07/08/03

NOTES:

- △ ANVIL ASSEMBLY 125078 CONSISTS OF:
ANVIL HOLDER ASSEMBLY 125077 AND
ANVIL INSERT 119842.
- △ ANVIL HOLDER ASSEMBLY 125077 CONSISTS OF:
ANVIL HOLDER 125076 AND
RETAINER 120737.