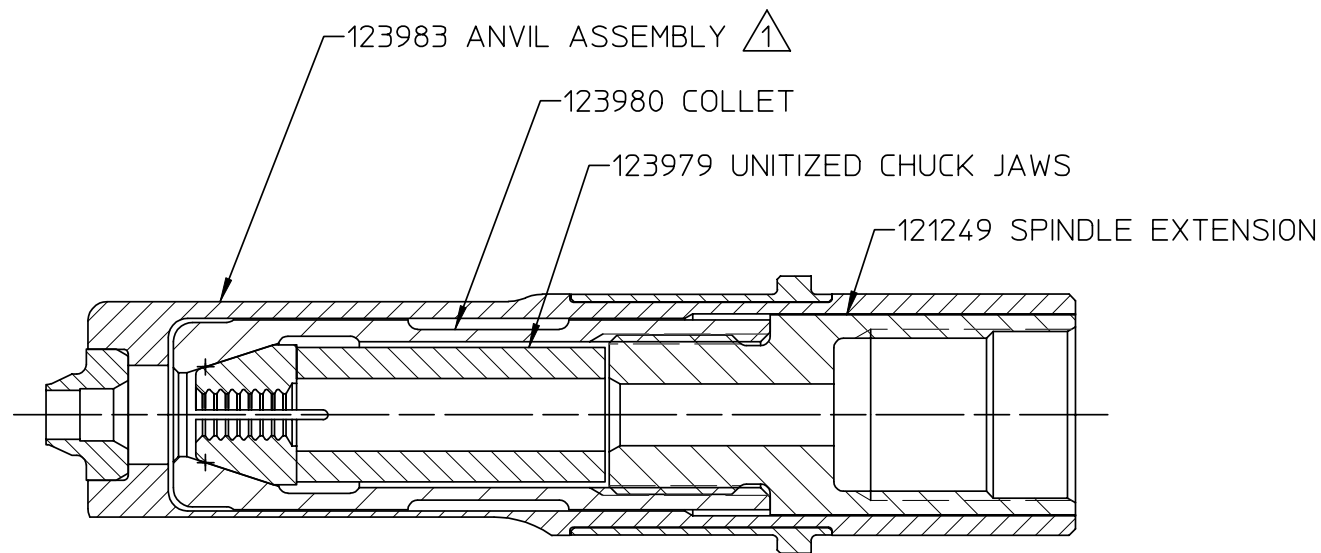
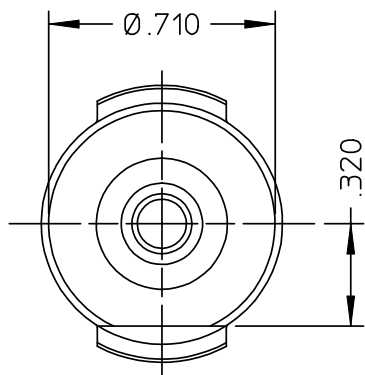


DATA SHEET



Alcoa Fastening Systems

Commercial Products
1 Corporate Drive, Kingston, NY 12401

NOSE TYPE: NON-Self-RELEASING

FASTENER TYPE: -06 BB

TOOL(S): 202, 212, 230, 352, 2400

Notes:

Product Revision: **A**

US Patent:

Date: 06/18/03

NOTES:

1 ANVIL ASSEMBLY 123983 CONSISTS OF:
ANVIL HOLDER ASSEMBLY 123982,
ANVIL INSERT 119376.

2 ANVIL HOLDER ASSEMBLY 123982 CONSISTS OF:
ANVIL HOLDER 123981,
RETAINER 120738.

99-2707

Part Number