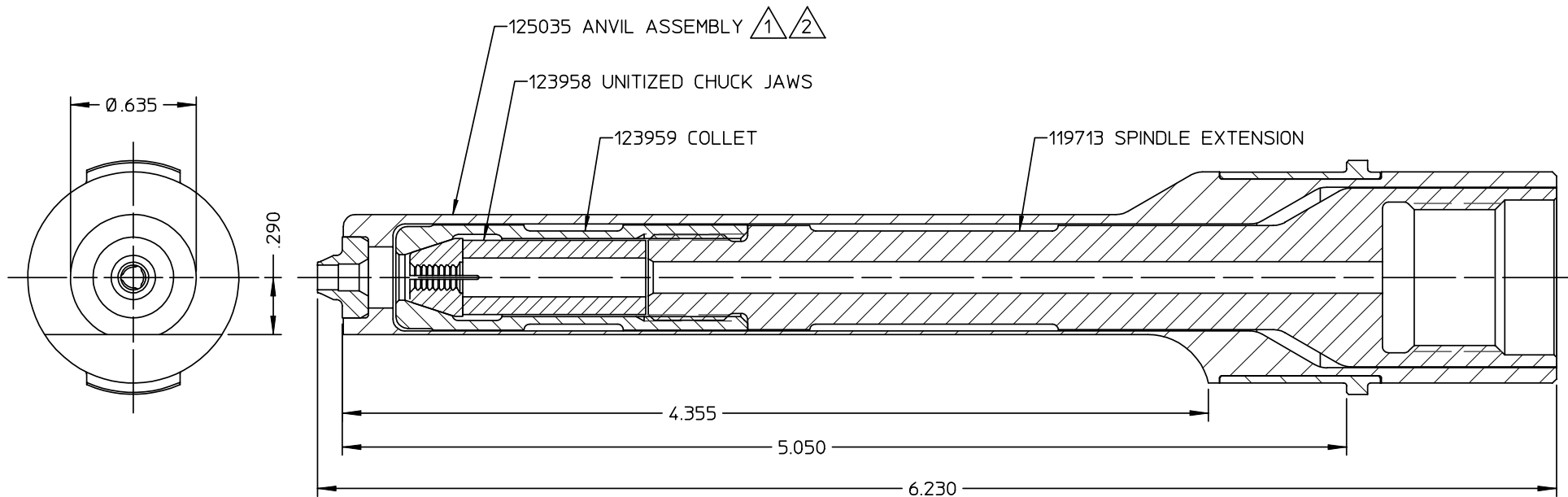


DATA SHEET



99-2705	Alcoa Fastening Systems Commercial Products 1 Corporate Drive, Kingston, NY 12401	
	TYPE:	NON-SELF-RELEASING
	FASTENER:	-05 BB
	TOOL(S):	245, 353
	Notes:	Product Revision: A
	US Patent:	Date: 07/07/03

NOTES:

- ① ANVIL ASSEMBLY P/N 125035 CONSISTS OF:
ANVIL HOLDER ASSEMBLY 125034 AND
ANVIL INSERT 119375
- ② ANVIL HOLDER ASSEMBLY 125034 CONSISTS OF:
ANVIL HOLDER 125033, (NOT AVAILABLE SEPARATELY) AND
RETAINER 120737