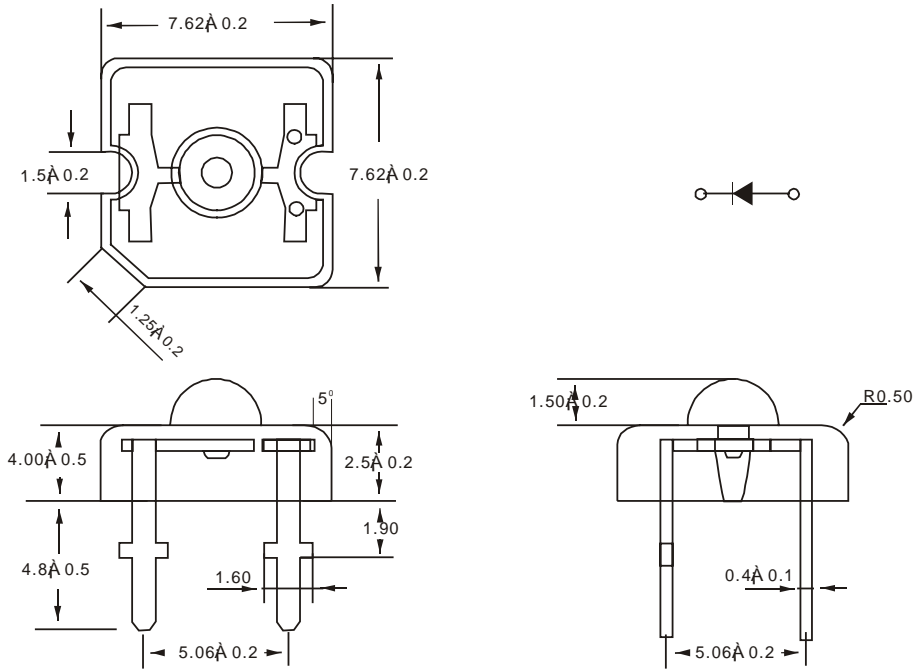


# 3R1S2HCA

## Pack Dimensions



PRODUCT MODEL		EMITTING COLOR			MATERIAL	
3R1S2HCA		SUPER RED			GaAlInP	
<b>Electro-Optical Characteristics (<math>T_a = +25^{\circ}\text{C}</math>)</b>						
PARAMETER	SYMBOL	TEST CONDITIONS	MIN	TYP.	MAX	UNIT
Forward Voltage	$V_F$	$I_F = 20 \text{ mA}$	1.70	1.90	2.10	V
Reverse Current	$I_R$	$V_R = 5 \text{ V}$			10	$\mu\text{A}$
Luminous intensity	$I_V$	$I_F = 20 \text{ mA}$	700	800	900	mcd
Chromaticity Coordinate	$\lambda_p$	$I_F = 20 \text{ mA}$	<b>620</b>	<b>622</b>	<b>625</b>	nm
	$\Delta\lambda$	$I_F = 20 \text{ mA}$		20		nm
Viewing Angle	$\Delta\theta$	$I_F = 20 \text{ mA}$		$\pm 45$		deg
<b>ABSOLUTE MAXIMUM RATING (<math>T_a = +25^{\circ}\text{C}</math>)</b>						
Reverse Voltage (V)	Continuous Forward Current (mA)	Peak forward Current (mA)	Power Dissipation (mw)	Operating Temperature Range ( $^{\circ}\text{C}$ )	Storage Temperature Range ( $^{\circ}\text{C}$ )	
10	100	500	200	-40~85	-40~10	

### ROITHNER LASERTECHNIK

Schoenbrunner Strasse 7, 1040 Vienna, Austria  
 Tel.: +43-1-586 52 43 - 0 Fax.: +43-1-586 52 43 44  
 office@roithner-laser.com www.roithner-laser.com