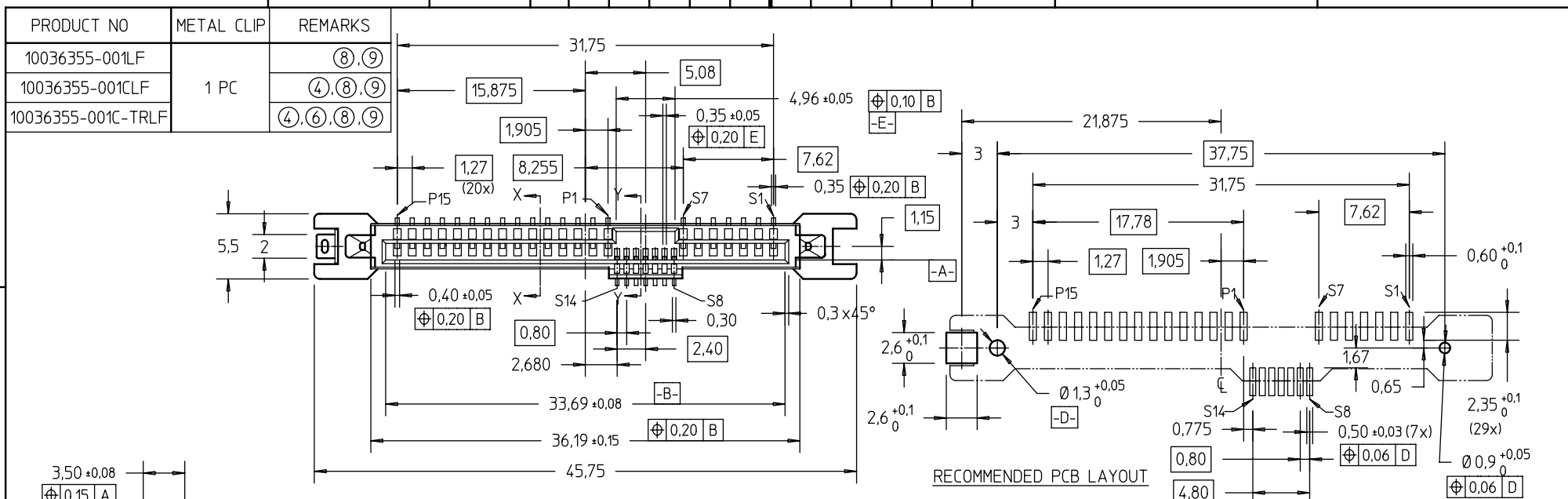


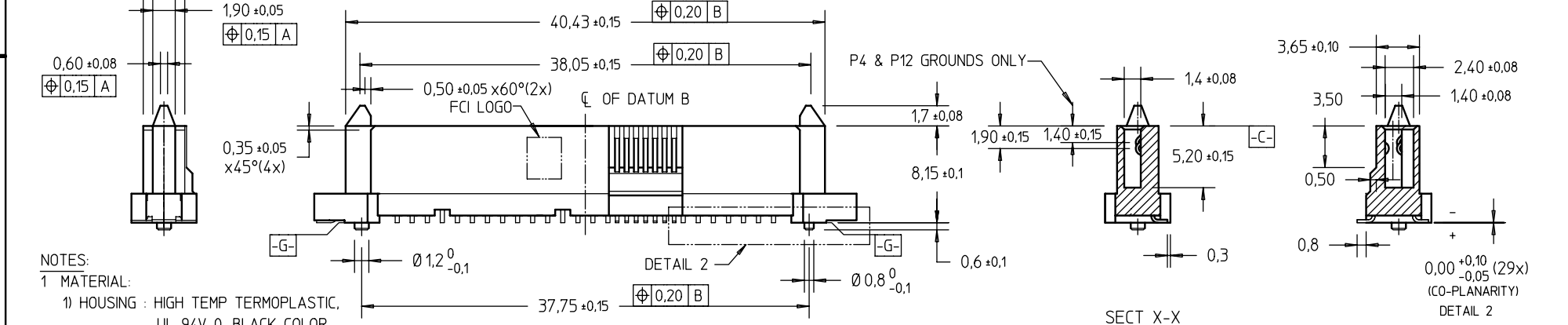
FCI CONFIDENTIAL



This document is the property of and embodies CONFIDENTIAL and PROPRIETARY information of FCI. No part of the information shown on this document may be used in any way or disclosed to others without the written consent of FCI. Copyright FCI.



RECOMMENDED PCB LAYOUT

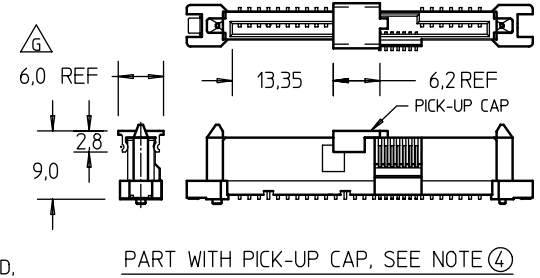


SECT X-X

SECT Y-Y

NOTES:

- 1 MATERIAL:
  - 1) HOUSING : HIGH TEMP TERMOPLASTIC, UL 94V-0, BLACK COLOR
  - 2) TERMINAL : COPPER ALLOY
  - 3) HOLD DOWN : COPPER ALLOY
- 2 FINISH :
  - 1) TERMINAL : 30u" Au PLATING (CONTACT POINT) OVER 50u" NICKEL
  - 2) SOLDER TAIL : 100u" min Sn OVER 50u" NICKEL
  - 3) HOLD DOWN : 100u" min Sn OVER 50u" NICKEL
- 3 PER SFF REV 11
- 4 PART WITH PICK-UP CAP, P/N XXXXXXXX-XXXX\_LF
- 5 THE STD PACKAGING IS IN TRAY
- 6 FOR TAPE & REEL PACKAGING, SUFFIX \*-TR\* ADDED, P/N XXXXXXXX-XXXX-TR\_LF



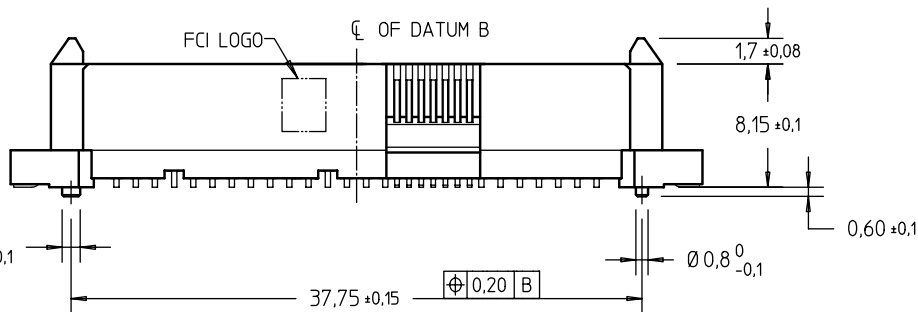
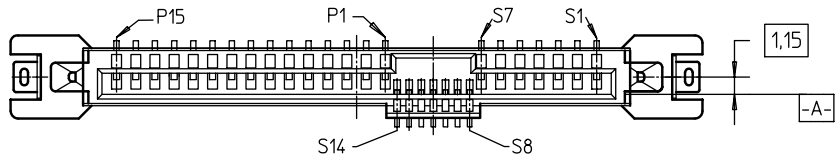
mat'l code		surface	tolerance	projection	product family
		ISO 1302	ISO 406 ISO 1101		SAS
tr		tolerances unless otherwise specified		mm	title
A	S04-0077	GLL	2004-04-20		SAS RECEPTACLE
B	S04-0190	GLL	2004-09-09		VERTICAL SMT TYPE ASSY
C	S04-0226	GLL	2004-10-26	scale 2:1	
D	S05-0026	GLL	2005-02-14	dr	GL L00
E	S05-0292	GLL	2005-10-12	enrg	GL L00
F	S06-0281	GLL	2006-08-28	chr	GL L00
G	S09-0261	GLL	2009-08-19	appd	JOEY NG
sheet		revision	G	G	
index		sheet	1	2	

FCI CONFIDENTIAL



This document is the property of and embodies CONFIDENTIAL and PROPRIETARY information of FCI. No part of the information shown on this document may be used in any way or disclosed to others without the written consent of FCI. Copyright FCI.

PRODUCT NO	METAL CLIP	REMARKS
10036355-002LF	2 PCS	⑧,⑨
10036355-002CLF		④,⑧,⑨
10036355-002C-TRLF		④,⑥,⑧,⑨



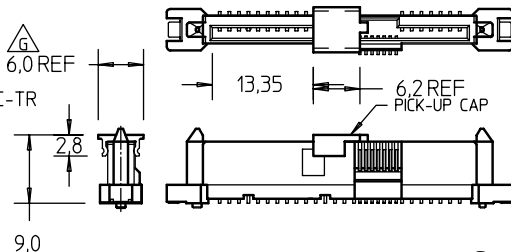
NOTES:  
ALL OTHER DIMENSIONS, REFER TO SHEET 1.

NOTES: (cont'd)

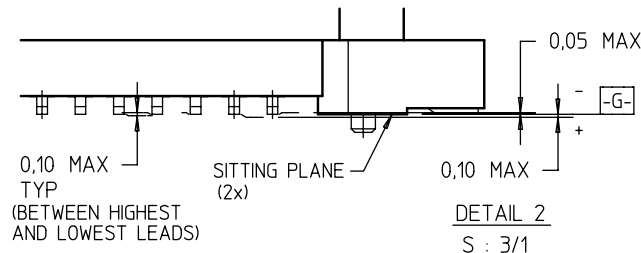
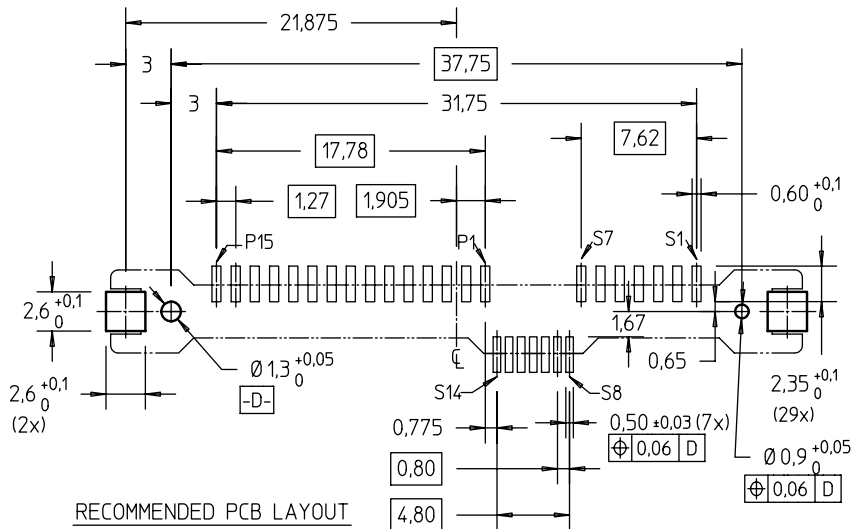
- 7 THE HOUSING WILL WITHSTAND EXPOSURE TO 260°C PEAK TEMPERATURE FOR 10 SECONDS IN A CONVECTION, INFRA-RED OR VAPOR PHASE REFLOW OVEN.
- ⑧ THIS PRODUCT MEETS EUROPEAN UNION DIRECTIVES AND OTHER COUNTRY REGULATIONS AS DESCRIBED IN GS-22-008.
- ⑨ PART NUMBERS ENDING IN "LF" MEANS FOR NOTE 8 LEAD FREE IDENTIFICATION.

THE EQUIVALENT P/N FOR "LF" DESIGNATION :

- (i) XXXXXXXX-XXXLF IS SAME AS XXXXXXXX-XXX
- (ii) XXXXXXXX-XXXCLF IS SAME AS XXXXXXXX-XXX
- (iii) XXXXXXXX-XXXC-TRLF IS SAME AS XXXXXXXX-XXXC-TR



PART WITH PICK-UP CAP, SEE NOTE ④



mat'l code		surface <input checked="" type="checkbox"/> ISO 1302		tolerance <input checked="" type="checkbox"/> ISO 406 ISO 1101		projection		product family <b>SAS</b>	
ltr	ecn no	dr	date		tolerances unless otherwise specified		title		
G					angles linear = ±2°		SAS RECEPTACLE VERTICAL SMT TYPE ASSY		
						mm		scale 2 : 1	
sheet index		revision sheet		dr		enr		chr	
1		1		GL L00		GL L00		GL L00	
				2004-04-20		2004-04-20		2009-08-19	
				appd		JOEY NG		2009-08-19	
				dwg no		sheet 2 of 2		size	
				10036355				A4	
				type		CUSTOMER		Drawing	