

**PLEASE CHECK WWW.MOLEX.COM FOR LATEST PART INFORMATION**

**Part Number:** [0795161023](#)  
**Status:** **Active**  
**Overview:** [microfit\\_30](#)  
**Description:** Micro-Fit Overmolded Cable Assembly, 2 Circuit, 3.0m (9.84' ) Length

**Documents:**

[Drawing \(PDF\)](#) [RoHS Certificate of Compliance \(PDF\)](#)

**General**

Product Family	Cable Assemblies
Series	<a href="#">79516</a>
Connector to Connector	Micro-Fit-to-Micro-Fit
Overview	<a href="#">microfit_30</a>
Product Name	Micro-Fit 3.0™

**Physical**

Cable Length	3.0m (9.84' )
Circuits (Loaded)	2
Color - Resin	Black
Gender	Female-Female
Lock to Mating Part	Yes
Material - Metal	Phosphor Bronze
Material - Plating Mating	Tin
Material - Plating Termination	Tin
Material - Resin	Polyester, PVC
Packaging Type	Bag
Pitch - Mating Interface (in)	0.118 In
Pitch - Mating Interface (mm)	3.00 mm
Plating min: Mating (µin)	40
Plating min: Mating (µm)	1.00
Plating min: Termination (µin)	40
Plating min: Termination (µm)	1.00
Single Ended	No
Wire Insulation Diameter	N/A
Wire Size AWG	26
Wire/Cable Type	Jacketed

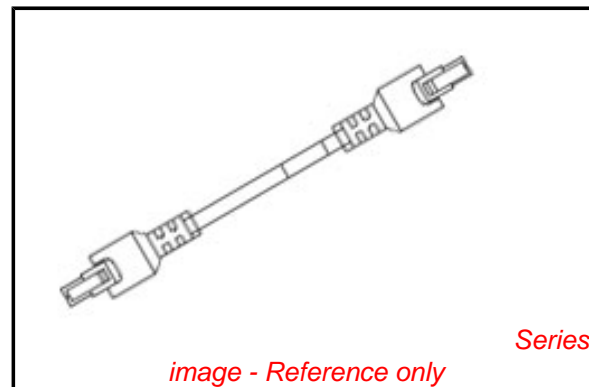
**Electrical**

Current - Maximum per Contact	5A
Shielded	No
Voltage - Maximum	250V

**Material Info**

**Reference - Drawing Numbers**

Sales Drawing	SD-79516-001
---------------	--------------



*image - Reference only*

**EU RoHS**

**ELV and RoHS  
Compliant**  
**REACH SVHC**  
 Not Reviewed  
**Halogen-Free  
Status**

**China RoHS**



**Need more information on product  
environmental compliance?**

Email [productcompliance@molex.com](mailto:productcompliance@molex.com)  
 For a multiple part number RoHS Certificate of  
 Compliance, [click here](#)

Please visit the [Contact Us](#) section for any  
 non-product compliance questions.

**Search Parts in this Series**

[79516Series](#)

6

5

4

3

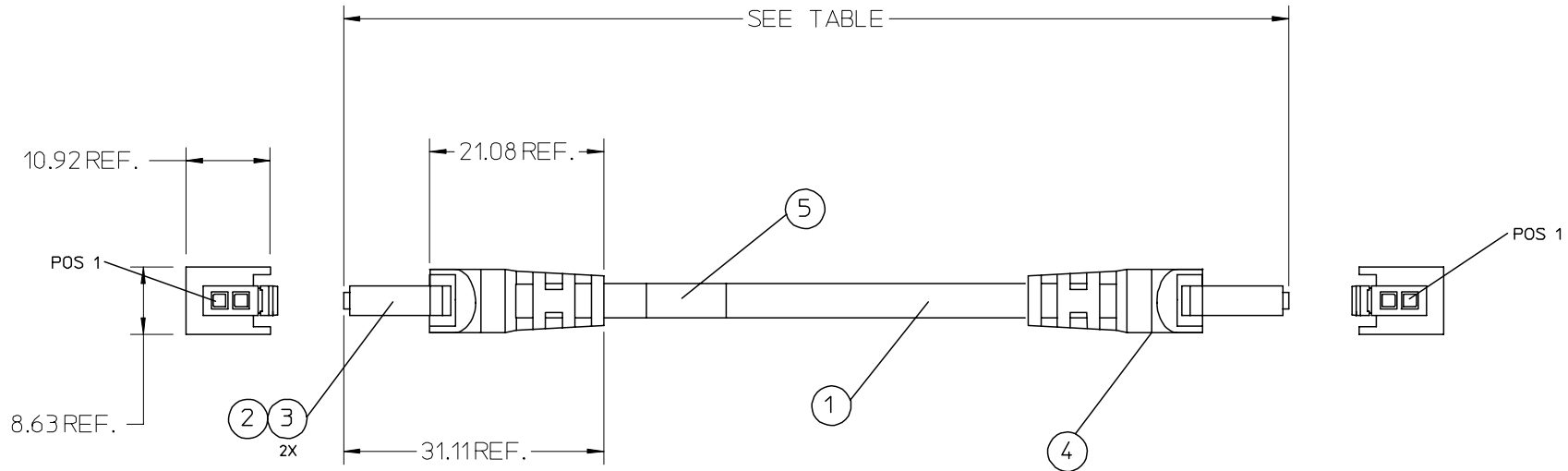
2

1

P/N	LENGTH
79516-1021	1000 +/-50MM
79516-1023	3000 +/-100MM
79516-1025	5000 +/-150MM

EXT. "A"

EXT. "B"



## NOTES:

- PIN CONNECTION ACCORDING TO TABLE.
- LABEL CABLE WITH FOLLOWING INFORMATION:  
P/N (SEE TABLE)  
REV. (SEE REVISION TABLE)  
M/D WW/YY  
ASSEMBLED IN MEXICO

## WIRING CHART

EXT. "A"		EXT. "B"
POS.	COLOR	POS.
1	BLACK	1
2	WHITE	2

ITEM	P/N	DESCRIPTION	QTY
5	0799212000	PLASTIC LABEL 0-TW10F	1 PC
4	0899920428	PVC 15% MF BLACK UL94V-2	A/R
3	0430300004	MicroFit 3.0 F Crp Term Chn Tin 26-30	4 PC
2	0430250200	MicroFit 3.0 DR Rcpt PnlMnt 2Ckt	2 PC
1	0799232214	CABLE 2 COND, 26AWG, JACKETED	A/R

RELEASED EC NO: MEX2006-0156 DRWN: AOROZCO 2006/03/31 CHKD: ACUEVAS 2006/03/31 APPR: ACUEVAS 2006/04/03	DESCRIPTION A	QUALITY SYMBOLS ▽=0 ▽=0	GENERAL TOLERANCES (UNLESS SPECIFIED)		DIMENSION STYLE MM ONLY		SCALE ---	DESIGN UNITS METRIC	THIRD ANGLE PROJECTION		
				mm	INCH	DRAWN BY AOROZCO	DATE 10/10/2003	TITLE MICRO-FIT OVERMOLDED ASSEMBLY 2 CKT 1, 3 & 5 MTS.			
			4 PLACES	±---	±---	CHECKED BY AOROZCO	DATE 10/10/2003	MOLEX INCORPORATED MATERIAL NO. VARIOS DOCUMENT NO. SD-79516-001 SHEET NO. 1 OF 1			
			3 PLACES	±---	±---	APPROVED BY ACUEVAS	DATE 10/10/2003				
			2 PLACES	±---	±---	ANGULAR ±---°		DRAFT WHERE APPLICABLE MUST REMAIN WITHIN DIMENSIONS			
1 PLACE	±---	±---	THIS DRAWING CONTAINS INFORMATION THAT IS PROPRIETARY TO MOLEX INCORPORATED AND SHOULD NOT BE USED WITHOUT WRITTEN PERMISSION								

5

4

3

2

1