

PLEASE CHECK WWW.MOLEX.COM FOR LATEST PART INFORMATION

Part Number: [0781271278](#)
Status: **Active**
Overview: ffc fpc smt
Description: 0.50mm (.020") Pitch FFC/FPC Connector, SMT, Non ZIF, Vertical, Reverse, Gold Plating, 27 Circuits, Lead Free

Documents:

[3D Model](#) [Product Specification PS-78119-001 \(PDF\)](#)
[Drawing \(PDF\)](#) [RoHS Certificate of Compliance \(PDF\)](#)

Agency Certification

CSA LR19980
 UL E29179

General

Product Family FFC/FPC Connectors
 Series [78127](#)
 Overview [ffc fpc smt](#)
 Product Name N/A

Physical

Circuits (Loaded) 27
 Circuits (maximum) 27
 Color - Resin Natural
 Contact Position N/A
 Durability (mating cycles max) 20
 Entry Angle Vertical
 Flammability 94V-0
 Mated Height (in) 0.161 In
 Mated Height (mm) 4.10 mm
 Material - Metal Copper Alloy
 Material - Plating Mating Gold, Nickel
 Number of Rows 1
 Orientation Vertical
 PCB Locator No
 PCB Retention None
 Packaging Type Embossed Tape on Reel
 Pitch - Mating Interface (in) 0.020 In
 Pitch - Mating Interface (mm) 0.50 mm
 Pitch - Term. Interface (in) 0.020 In
 Pitch - Term. Interface (mm) 0.50 mm
 Polarized to PCB No
 Stackable No
 Temperature Range - Operating -40°C to +85°C
 Termination Interface: Style Surface Mount
 Wire/Cable Type FFC/FPC

Electrical

Current - Maximum per Contact 0.5A
 Voltage - Maximum 50V AC

Material Info

Reference - Drawing Numbers

Product Specification PS-78119-001
 Sales Drawing SD-78127-001

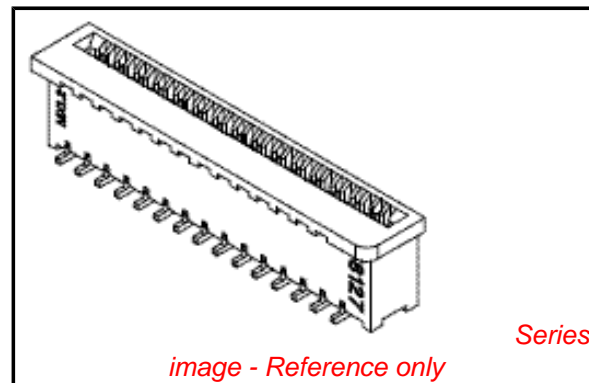


image - Reference only

EU RoHS

**ELV and RoHS
 Compliant**
**REACH SVHC
 Contains SVHC: No**
**Halogen-Free
 Status
 Not Reviewed**

China RoHS



**Need more information on product
 environmental compliance?**

Email productcompliance@molex.com
 For a multiple part number RoHS Certificate of
 Compliance, [click here](#)

Please visit the [Contact Us](#) section for any
 non-product compliance questions.

Search Parts in this Series

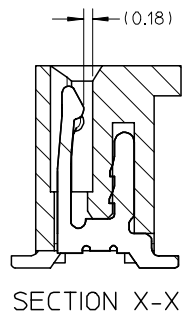
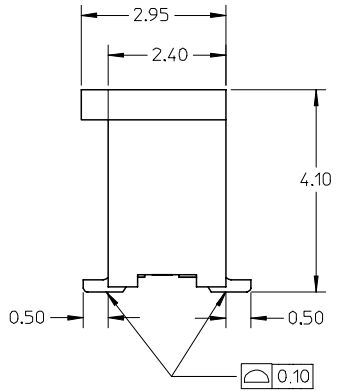
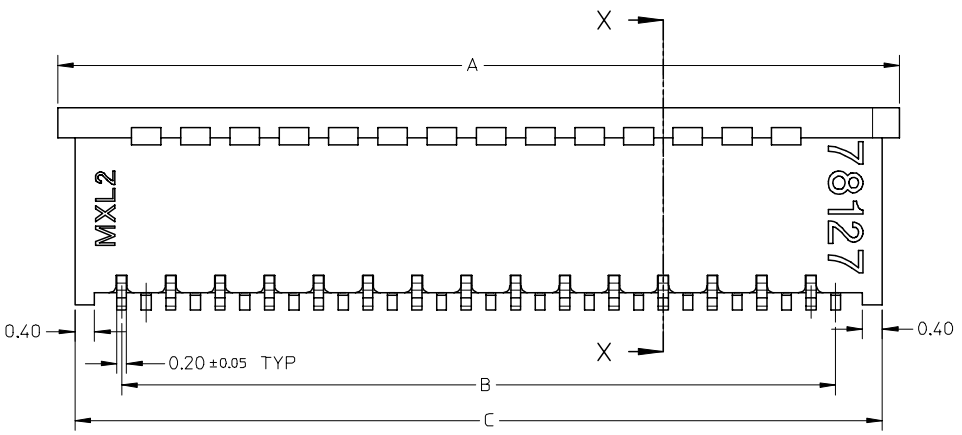
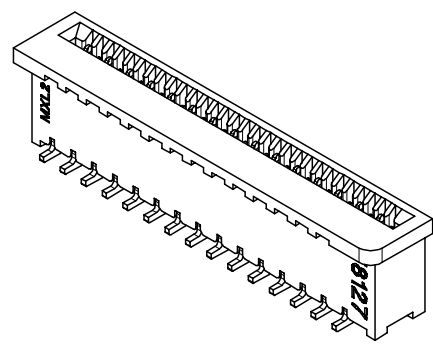
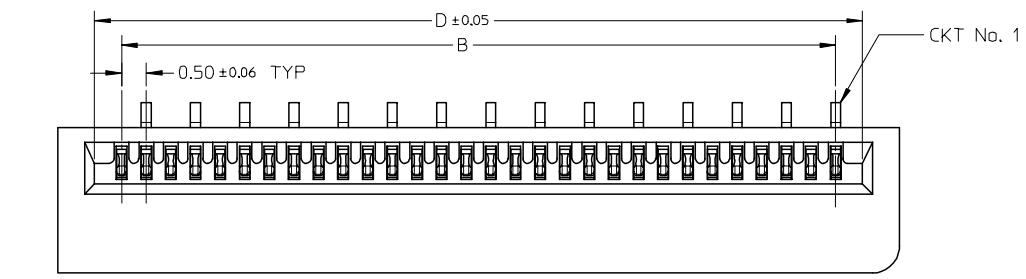
78127Series

Mates With

Standard FFC/FPC Cables

This document was generated on 06/07/2010

PLEASE CHECK WWW.MOLEX.COM FOR LATEST PART INFORMATION



- NOTE:
- MATERIAL:
HOUSING: PA46 GLASS FILLED, UL94V-0, COLOR: NATURAL
TERMINAL: COPPER ALLOY
 - PLATING:
1) 0.10 μm MIN. GOLD PLATING OVER NICKEL PLATING OVERALL
2) 1-3 μm TIN-BISMUTH PLATING OVER NICKEL PLATING OVERALL
 - PRODUCT SPECIFICATION: PS-78119-001
 - PRODUCT ARE PACKED IN TAPE & REEL.

| | |
|-------------------|-------------|
| REVISED | DESCRIPTION |
| EC NO: S2007-0721 | 2007/03/05 |
| DRWN: BOKOK | 2007/03/05 |
| CHKD: CGOH | |
| APPR: KCLING | 2007/03/05 |
| A1 | REV |

| |
|-----------------|
| QUALITY SYMBOLS |
| ▽=0 |
| ∇=0 |

| | | |
|--|-----------------|-------|
| GENERAL TOLERANCES (UNLESS SPECIFIED) | mm | INCH |
| | 4 PLACES ± --- | ± --- |
| | 3 PLACES ± --- | ± --- |
| | 2 PLACES ± 0.15 | ± --- |
| | 1 PLACE ± --- | ± --- |
| | ANGULAR ± 3° | |
| DRAFT WHERE APPLICABLE MUST REMAIN WITHIN DIMENSIONS | | |

| | | | | |
|-----------------|---|--------------------------------------|--------------|------------------------|
| DIMENSION STYLE | | SCALE | DESIGN UNITS | THIRD ANGLE PROJECTION |
| MM ONLY | | NTS | METRIC | |
| DRAWN BY | DATE | TITLE | | |
| YLQ1A0 | 2006/05/05 | 0.50MM PITCH, FPC CONN. NON-ZIF, SMT | | |
| CHECKED BY | DATE | | | |
| BOKOK | 2006/06/06 | | | |
| APPROVED BY | DATE | | | |
| PTL IM | 2006/06/06 | | | |
| MATERIAL NO. | | DOCUMENT NO. | SHEET NO. | |
| SEE TABLE | | SD-78127-001 | 1 OF 7 | |
| SIZE | THIS DRAWING CONTAINS INFORMATION THAT IS PROPRIETARY TO MOLEX INCORPORATED AND SHOULD NOT BE USED WITHOUT WRITTEN PERMISSION | | | |
| A3 | | | | |

| | |
|--------------------|--|
| MOLEX INCORPORATED | |
| SD-78127-001 | |
| 1 OF 7 | |

10 9 8 7 6 5 4 3 2 1

F

E

D

C

B

A

F

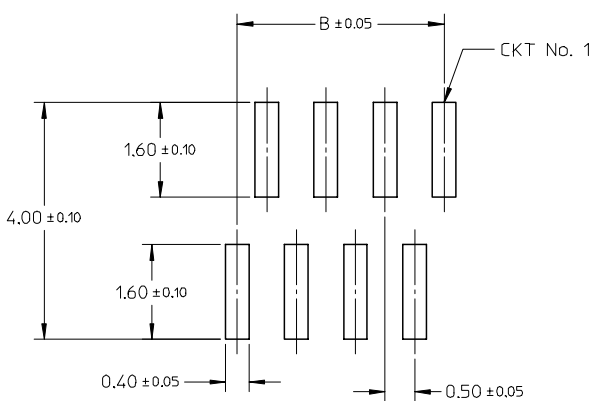
E

D

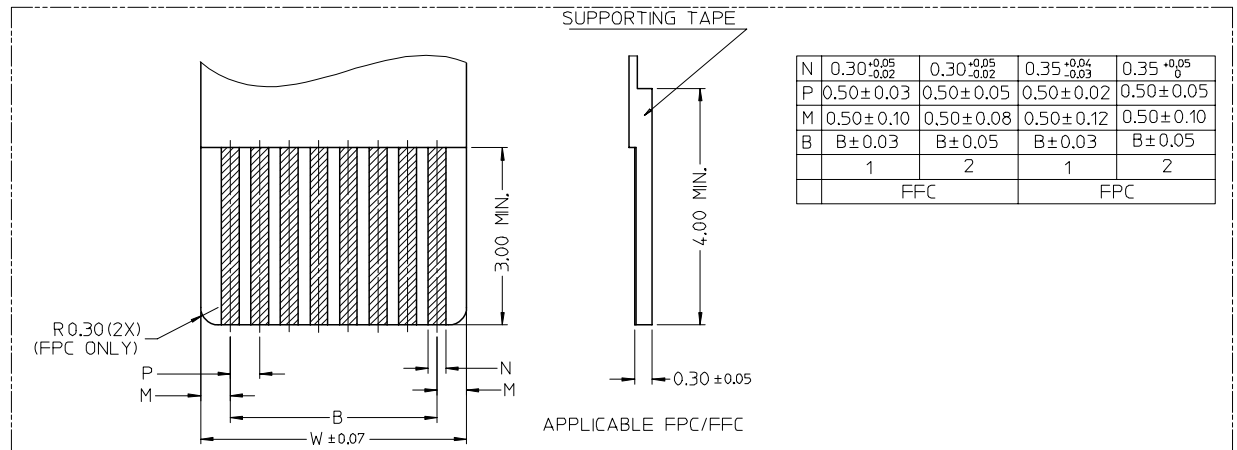
C

B

A



RECOMMENDED PCB LAYOUT



| | | | | |
|---|--|--|--|------------------------------------|
| N | 0.30 ^{+0.05} _{-0.02} | 0.30 ^{+0.05} _{-0.02} | 0.35 ^{+0.04} _{-0.03} | 0.35 ^{+0.05} ₀ |
| P | 0.50 ± 0.03 | 0.50 ± 0.05 | 0.50 ± 0.02 | 0.50 ± 0.05 |
| M | 0.50 ± 0.10 | 0.50 ± 0.08 | 0.50 ± 0.12 | 0.50 ± 0.10 |
| B | B ± 0.03 | B ± 0.05 | B ± 0.03 | B ± 0.05 |
| | 1 | 2 | 1 | 2 |
| | FFC | | FPC | |

| | | | | | | | | | | | | |
|---|--|-------------------------------|---|-------|----------------------------|-----------------------|--------------------|--|------------------------|--|--|--|
| REVISED EC NO: S2007-0721 DRWN: BOKOK CHKD: CGOH APPR: KCLING | 2007/03/05 2007/03/05 2007/03/05 | QUALITY SYMBOLS ▽=0 ▽=0 | GENERAL TOLERANCES (UNLESS SPECIFIED) | | DIMENSION STYLE MM ONLY | | SCALE NTS | DESIGN UNITS METRIC | THIRD ANGLE PROJECTION | | | |
| | | | | mm | INCH | DRAWN BY YLQ1A0 | DATE 2006/05/05 | TITLE 0.50MM PITCH, FPC CONN. NON-ZIF, SMT | | | | |
| | | | 4 PLACES | ± --- | ± --- | CHECKED BY BOKOK | DATE 2006/06/06 | MOLEX INCORPORATED SD-78127-001 | | | | |
| | | | 3 PLACES | ± --- | ± --- | APPROVED BY PTL IM | DATE 2006/06/06 | | | | | |
| 2 PLACES | ± 0.15 | ± --- | MATERIAL NO. | | DOCUMENT NO. | | SHEET NO. | | | | | |
| 1 PLACE | ± --- | ± --- | DRAFT WHERE APPLICABLE MUST REMAIN WITHIN DIMENSIONS | | SEE TABLE | | 2 OF 7 | | | | | |
| A1 | REV | | THIS DRAWING CONTAINS INFORMATION THAT IS PROPRIETARY TO MOLEX INCORPORATED AND SHOULD NOT BE USED WITHOUT WRITTEN PERMISSION | | | | | | | | | |

9 8 7 6 5 4 3 2 1

GOLD PLATING TERMINAL ASSEMBLY PART NUMBERS

| ASSY P/N W/O PACKAGING | CKT | DIM A | DIM B | DIM C | DIM D | PLATING TYPE |
|---------------------------|-----|-------|-------|-------|-------|-----------------|
| 78127-0068 | 6 | 5.10 | 2.50 | 4.40 | 3.60 | 1 |
| 78127-0078 | 7 | 5.60 | 3.00 | 4.90 | 4.10 | |
| 78127-0088 | 8 | 6.10 | 3.50 | 5.40 | 4.60 | |
| 78127-0098 | 9 | 6.60 | 4.00 | 5.90 | 5.10 | |
| 78127-0108 | 10 | 7.10 | 4.50 | 6.40 | 5.60 | |
| 78127-0118 | 11 | 7.60 | 5.00 | 6.90 | 6.10 | |
| 78127-0128 | 12 | 8.10 | 5.50 | 7.40 | 6.60 | |
| 78127-0138 | 13 | 8.60 | 6.00 | 7.90 | 7.10 | |
| 78127-0148 | 14 | 9.10 | 6.50 | 8.40 | 7.60 | |
| 78127-0158 | 15 | 9.60 | 7.00 | 8.90 | 8.10 | |
| 78127-0168 | 16 | 10.10 | 7.50 | 9.40 | 8.60 | |
| 78127-0178 | 17 | 10.60 | 8.00 | 9.90 | 9.10 | |
| 78127-0188 | 18 | 11.10 | 8.50 | 10.40 | 9.60 | |
| 78127-0198 | 19 | 11.60 | 9.00 | 10.90 | 10.10 | |
| 78127-0208 | 20 | 12.10 | 9.50 | 11.40 | 10.60 | |
| 78127-0218 | 21 | 12.60 | 10.00 | 11.90 | 11.10 | |
| 78127-0228 | 22 | 13.10 | 10.50 | 12.40 | 11.60 | |
| 78127-0238 | 23 | 13.60 | 11.00 | 12.90 | 12.10 | |
| 78127-0248 | 24 | 14.10 | 11.50 | 13.40 | 12.60 | |
| 78127-0258 | 25 | 14.60 | 12.00 | 13.90 | 13.10 | |
| 78127-0268 | 26 | 15.10 | 12.50 | 14.40 | 13.60 | |
| 78127-0278 | 27 | 15.60 | 13.00 | 14.90 | 14.10 | |
| 78127-0288 | 28 | 16.10 | 13.50 | 15.40 | 14.60 | |
| 78127-0298 | 29 | 16.60 | 14.00 | 15.90 | 15.10 | |
| 78127-0308 | 30 | 17.10 | 14.50 | 16.40 | 15.60 | |

| ASSY P/N W/O PACKAGING | CKT | DIM A | DIM B | DIM C | DIM D | PLATING TYPE |
|---------------------------|-----|-------|-------|-------|-------|-----------------|
| 78127-0318 | 31 | 17.60 | 15.00 | 16.90 | 16.10 | 1 |
| 78127-0328 | 32 | 18.10 | 15.50 | 17.40 | 16.60 | |
| 78127-0338 | 33 | 18.60 | 16.00 | 17.90 | 17.10 | |
| 78127-0348 | 34 | 19.10 | 16.50 | 18.40 | 17.60 | |
| 78127-0358 | 35 | 19.60 | 17.00 | 18.90 | 18.10 | |
| 78127-0368 | 36 | 20.10 | 17.50 | 19.40 | 18.60 | |
| 78127-0378 | 37 | 20.60 | 18.00 | 19.90 | 19.10 | |
| 78127-0388 | 38 | 21.10 | 18.50 | 20.40 | 19.60 | |
| 78127-0398 | 39 | 21.60 | 19.00 | 20.90 | 20.10 | |
| 78127-0408 | 40 | 22.10 | 19.50 | 21.40 | 20.60 | |
| 78127-0418 | 41 | 22.60 | 20.00 | 21.90 | 21.10 | |
| 78127-0428 | 42 | 23.10 | 20.50 | 22.40 | 21.60 | |

| | | | | | | |
|---|---------------------------------------|--|---|--------------|--------------------------------------|------------------------|
| REVISED EC NO: S2007-0721 DRWN: BOKOK CHKD: CGOH APPR: KCLING 2007/03/05 2007/03/05 2007/03/05 | QUALITY SYMBOLS | GENERAL TOLERANCES (UNLESS SPECIFIED) | DIMENSION STYLE | SCALE | DESIGN UNITS | THIRD ANGLE PROJECTION |
| | $\nabla = 0$ $\sphericalangle = 0$ | mm INCH 4 PLACES ± --- ± --- 3 PLACES ± --- ± --- 2 PLACES ± 0.15 ± --- 1 PLACE ± --- ± --- ANGULAR ± 3° | MM ONLY | NTS | METRIC | |
| | DESCRIPTION | DRAFT WHERE APPLICABLE MUST REMAIN WITHIN DIMENSIONS | DRAWN BY | DATE | TITLE | |
| | REV | | YLQ1A0 | 2006/05/05 | 0.50MM PITCH, FPC CONN. NON-ZIF, SMT | |
| A1 | | | BOKOK | 2006/06/06 | | |
| | | | PTL IM | 2006/06/06 | MOLEX INCORPORATED | |
| | | | MATERIAL NO. | DOCUMENT NO. | | SHEET NO. |
| | | | SEE TABLE | SD-78127-001 | | 3 OF 7 |
| | | | THIS DRAWING CONTAINS INFORMATION THAT IS PROPRIETARY TO MOLEX INCORPORATED AND SHOULD NOT BE USED WITHOUT WRITTEN PERMISSION | | | |

10 9 8 7 6 5 4 3 2 1

F

F

TIN-BISMUTH PLATING TERMINAL ASSEMBLY PART NUMBERS

| ASSY P/N W/O PACKAGING | CKT | DIM A | DIM B | DIM C | DIM D | PLATING TYPE |
|---------------------------|-----|-------|-------|-------|-------|-----------------|
| 78127-0069 | 6 | 5.10 | 2.50 | 4.40 | 3.60 | 2 |
| 78127-0079 | 7 | 5.60 | 3.00 | 4.90 | 4.10 | |
| 78127-0089 | 8 | 6.10 | 3.50 | 5.40 | 4.60 | |
| 78127-0099 | 9 | 6.60 | 4.00 | 5.90 | 5.10 | |
| 78127-0109 | 10 | 7.10 | 4.50 | 6.40 | 5.60 | |
| 78127-0119 | 11 | 7.60 | 5.00 | 6.90 | 6.10 | |
| 78127-0129 | 12 | 8.10 | 5.50 | 7.40 | 6.60 | |
| 78127-0139 | 13 | 8.60 | 6.00 | 7.90 | 7.10 | |
| 78127-0149 | 14 | 9.10 | 6.50 | 8.40 | 7.60 | |
| 78127-0159 | 15 | 9.60 | 7.00 | 8.90 | 8.10 | |
| 78127-0169 | 16 | 10.10 | 7.50 | 9.40 | 8.60 | |
| 78127-0179 | 17 | 10.60 | 8.00 | 9.90 | 9.10 | |
| 78127-0189 | 18 | 11.10 | 8.50 | 10.40 | 9.60 | |
| 78127-0199 | 19 | 11.60 | 9.00 | 10.90 | 10.10 | |
| 78127-0209 | 20 | 12.10 | 9.50 | 11.40 | 10.60 | |
| 78127-0219 | 21 | 12.60 | 10.00 | 11.90 | 11.10 | |
| 78127-0229 | 22 | 13.10 | 10.50 | 12.40 | 11.60 | |
| 78127-0239 | 23 | 13.60 | 11.00 | 12.90 | 12.10 | |
| 78127-0249 | 24 | 14.10 | 11.50 | 13.40 | 12.60 | |
| 78127-0259 | 25 | 14.60 | 12.00 | 13.90 | 13.10 | |
| 78127-0269 | 26 | 15.10 | 12.50 | 14.40 | 13.60 | |
| 78127-0279 | 27 | 15.60 | 13.00 | 14.90 | 14.10 | |
| 78127-0289 | 28 | 16.10 | 13.50 | 15.40 | 14.60 | |
| 78127-0299 | 29 | 16.60 | 14.00 | 15.90 | 15.10 | |
| 78127-0309 | 30 | 17.10 | 14.50 | 16.40 | 15.60 | |

| ASSY P/N W/O PACKAGING | CKT | DIM A | DIM B | DIM C | DIM D | PLATING TYPE |
|---------------------------|-----|-------|-------|-------|-------|-----------------|
| 78127-0319 | 31 | 17.60 | 15.00 | 16.90 | 16.10 | 2 |
| 78127-0329 | 32 | 18.10 | 15.50 | 17.40 | 16.60 | |
| 78127-0339 | 33 | 18.60 | 16.00 | 17.90 | 17.10 | |
| 78127-0349 | 34 | 19.10 | 16.50 | 18.40 | 17.60 | |
| 78127-0359 | 35 | 19.60 | 17.00 | 18.90 | 18.10 | |
| 78127-0369 | 36 | 20.10 | 17.50 | 19.40 | 18.60 | |
| 78127-0379 | 37 | 20.60 | 18.00 | 19.90 | 19.10 | |
| 78127-0389 | 38 | 21.10 | 18.50 | 20.40 | 19.60 | |
| 78127-0399 | 39 | 21.60 | 19.00 | 20.90 | 20.10 | |
| 78127-0409 | 40 | 22.10 | 19.50 | 21.40 | 20.60 | |
| 78127-0419 | 41 | 22.60 | 20.00 | 21.90 | 21.10 | |
| 78127-0429 | 42 | 23.10 | 20.50 | 22.40 | 21.60 | |

E

E

D

D

C

C

B

B

A

A

REVISED
EC NO: S2007-0721
DRWN: BOKOK
CHKD: CGOH
APPR: KCLING

QUALITY SYMBOLS
▽=0
▽C=0

GENERAL TOLERANCES (UNLESS SPECIFIED)

| | mm | INCH |
|----------|--------|-------|
| 4 PLACES | ± --- | ± --- |
| 3 PLACES | ± --- | ± --- |
| 2 PLACES | ± 0.15 | ± --- |
| 1 PLACE | ± --- | ± --- |

ANGULAR ± 3 °

DRAFT WHERE APPLICABLE
MUST REMAIN WITHIN DIMENSIONS

DIMENSION STYLE
MM ONLY

DRAWN BY
YLQ1A0

CHECKED BY
BOKOK

APPROVED BY
PTL IM

MATERIAL NO.
SEE TABLE

SIZE
A3

SCALE
NTS

DESIGN UNITS
METRIC

THIRD ANGLE PROJECTION

TITLE
0.50MM PITCH, FPC CONN.
NON-ZIF, SMT

MOLEX INCORPORATED

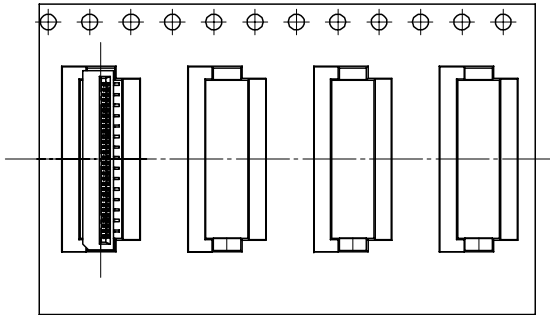
DOCUMENT NO.
SD-78127-001

SHEET NO.
4 OF 7

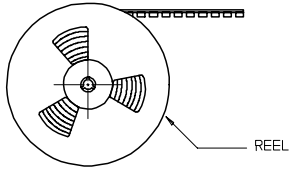
THIS DRAWING CONTAINS INFORMATION THAT IS PROPRIETARY TO MOLEX INCORPORATED AND SHOULD NOT BE USED WITHOUT WRITTEN PERMISSION

9 8 7 6 5 4 3 2 1

EMBOSSED TYPE A



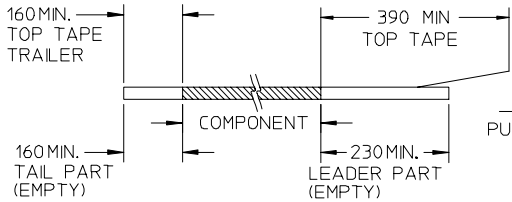
CUSTOMER
PULL OUT DIRECTION



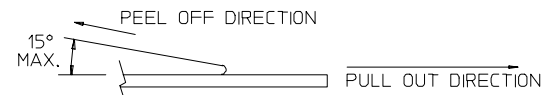
REEL

NOTES:

1. LEADER AND TRAILER TAPE



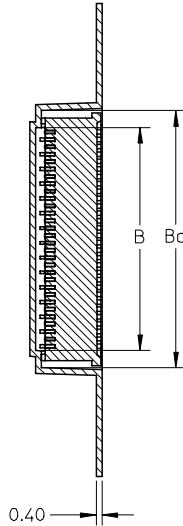
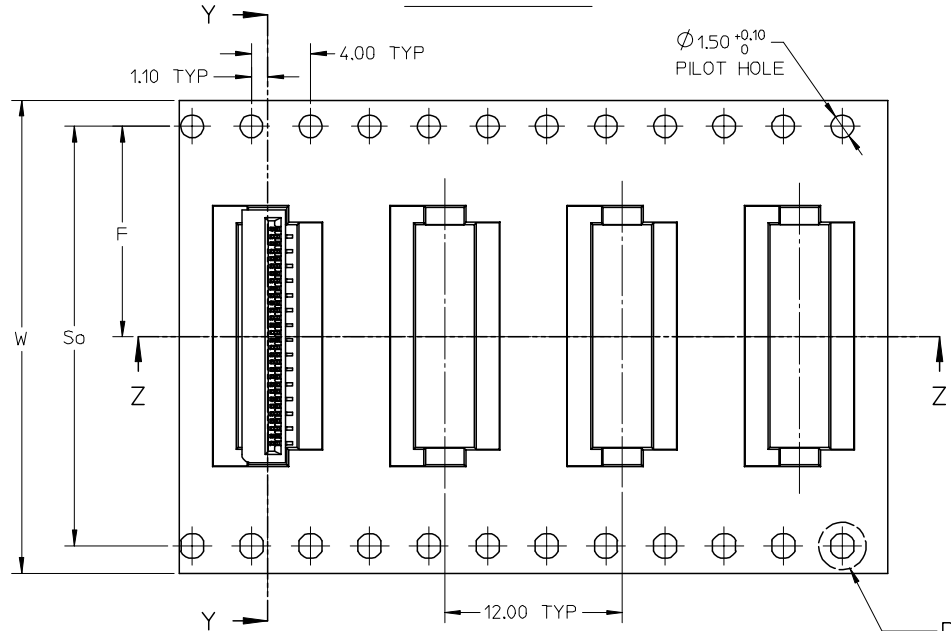
2. PEELING OFF FORCE OF THE TOP TAPE: 20-80gf.
(PEELING DIRECTION AS SHOWN IN FOLLOWING FIGURE)



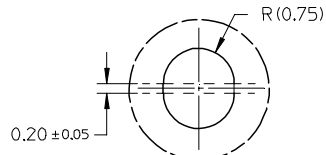
3. PACKAGING STANDARD IS AS PER EIA-481.

4. TAPE & REEL QUANTITY = 1000 PCS/REEL

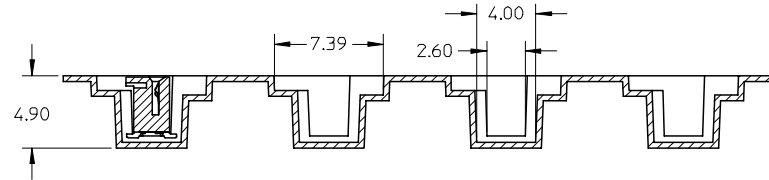
EMBOSSED TYPE B



SECTION Y-Y



DETAIL 1



SECTION Z-Z

| | | |
|-------------------|-----------------|-------------|
| REVISED | QUALITY SYMBOLS | DESCRIPTION |
| EC NO: S2007-0721 | ▽=0 | |
| DRWN: BOKOK | ▽=0 | |
| CHKD: CGOH | | |
| APPR: KCLING | | |
| 2007/03/05 | | |
| 2007/03/05 | | |
| 2007/03/05 | | |
| A1 | | |

| GENERAL TOLERANCES (UNLESS SPECIFIED) | |
|--|-------|
| mm | INCH |
| 4 PLACES ± --- | ± --- |
| 3 PLACES ± --- | ± --- |
| 2 PLACES ± 0.15 | ± --- |
| 1 PLACE ± --- | ± --- |
| ANGULAR ± 3° | |
| DRAFT WHERE APPLICABLE MUST REMAIN WITHIN DIMENSIONS | |

| DIMENSION STYLE | |
|-----------------|------------|
| MM ONLY | |
| DRAWN BY | DATE |
| YLQ1A0 | 2006/05/05 |
| CHECKED BY | DATE |
| BOKOK | 2006/06/06 |
| APPROVED BY | DATE |
| PTL IM | 2006/06/06 |
| MATERIAL NO. | |
| SEE TABLE | |
| SIZE | |
| A3 | |

| SCALE | DESIGN UNITS | THIRD ANGLE PROJECTION |
|---|--------------|------------------------|
| NTS | METRIC | ☉ |
| TITLE | | |
| 0.50MM PITCH, FPC CONN. NON-ZIF, SMT | | |
| MOLEX INCORPORATED | | SHEET NO. |
| SD-78127-001 | | 5 OF 7 |
| THIS DRAWING CONTAINS INFORMATION THAT IS PROPRIETARY TO MOLEX INCORPORATED AND SHOULD NOT BE USED WITHOUT WRITTEN PERMISSION | | |

10 9 8 7 6 5 4 3 2 1

GOLD PLATING TERMINAL ASSEMBLY PART NUMBERS

| ASSY P/N PACKED IN T&R | ASSY P/N W/O PACKAGING | CKT | W | So | F | Bo | B | EMBOSSSED TYPE |
|---------------------------|---------------------------|-----|-------|-------|-------|-------|-------|-------------------|
| 78127-1068 | 78127-0068 | 6 | 24.00 | - | 11.50 | 5.40 | 3.10 | A |
| 78127-1078 | 78127-0078 | 7 | 24.00 | - | 11.50 | 5.90 | 3.60 | |
| 78127-1088 | 78127-0088 | 8 | 24.00 | - | 11.50 | 6.40 | 4.10 | |
| 78127-1098 | 78127-0098 | 9 | 24.00 | - | 11.50 | 6.90 | 4.60 | |
| 78127-1108 | 78127-0108 | 10 | 24.00 | - | 11.50 | 7.40 | 5.10 | |
| 78127-1118 | 78127-0118 | 11 | 24.00 | - | 11.50 | 7.90 | 5.60 | |
| 78127-1128 | 78127-0128 | 12 | 24.00 | - | 11.50 | 8.40 | 6.10 | |
| 78127-1138 | 78127-0138 | 13 | 24.00 | - | 11.50 | 8.90 | 6.60 | |
| 78127-1148 | 78127-0148 | 14 | 24.00 | - | 11.50 | 9.40 | 7.10 | |
| 78127-1158 | 78127-0158 | 15 | 24.00 | - | 11.50 | 9.90 | 7.60 | |
| 78127-1168 | 78127-0168 | 16 | 24.00 | - | 11.50 | 10.40 | 8.10 | |
| 78127-1178 | 78127-0178 | 17 | 24.00 | - | 11.50 | 10.90 | 8.60 | |
| 78127-1188 | 78127-0188 | 18 | 24.00 | - | 11.50 | 11.40 | 9.10 | |
| 78127-1198 | 78127-0198 | 19 | 24.00 | - | 11.50 | 11.90 | 9.60 | |
| 78127-1208 | 78127-0208 | 20 | 24.00 | - | 11.50 | 12.40 | 10.10 | |
| 78127-1218 | 78127-0218 | 21 | 32.00 | 28.40 | 14.20 | 12.90 | 10.60 | B |
| 78127-1228 | 78127-0228 | 22 | 32.00 | 28.40 | 14.20 | 13.40 | 11.10 | |
| 78127-1238 | 78127-0238 | 23 | 32.00 | 28.40 | 14.20 | 13.90 | 11.60 | |
| 78127-1248 | 78127-0248 | 24 | 32.00 | 28.40 | 14.20 | 14.40 | 12.10 | |
| 78127-1258 | 78127-0258 | 25 | 32.00 | 28.40 | 14.20 | 14.90 | 12.60 | |
| 78127-1268 | 78127-0268 | 26 | 32.00 | 28.40 | 14.20 | 15.40 | 13.10 | |
| 78127-1278 | 78127-0278 | 27 | 32.00 | 28.40 | 14.20 | 15.90 | 13.60 | |
| 78127-1288 | 78127-0288 | 28 | 32.00 | 28.40 | 14.20 | 16.40 | 14.10 | |
| 78127-1298 | 78127-0298 | 29 | 32.00 | 28.40 | 14.20 | 16.90 | 14.60 | |
| 78127-1308 | 78127-0308 | 30 | 32.00 | 28.40 | 14.20 | 17.40 | 15.10 | |

| ASSY P/N PACKED IN T&R | ASSY P/N W/O PACKAGING | CKT | W | So | F | Bo | B | EMBOSSSED TYPE |
|---------------------------|---------------------------|-----|-------|-------|-------|-------|-------|-------------------|
| 78127-1318 | 78127-0318 | 31 | 32.00 | 28.40 | 14.20 | 17.90 | 15.60 | B |
| 78127-1328 | 78127-0328 | 32 | 32.00 | 28.40 | 14.20 | 18.40 | 16.10 | |
| 78127-1338 | 78127-0338 | 33 | 32.00 | 28.40 | 14.20 | 18.90 | 16.60 | |
| 78127-1348 | 78127-0348 | 34 | 32.00 | 28.40 | 14.20 | 19.40 | 17.10 | |
| 78127-1358 | 78127-0358 | 35 | 32.00 | 28.40 | 14.20 | 19.90 | 17.60 | |
| 78127-1368 | 78127-0368 | 36 | 32.00 | 28.40 | 14.20 | 20.40 | 18.10 | |
| 78127-1378 | 78127-0378 | 37 | 32.00 | 28.40 | 14.20 | 20.90 | 18.60 | |
| 78127-1388 | 78127-0388 | 38 | 32.00 | 28.40 | 14.20 | 21.40 | 19.10 | |
| 78127-1398 | 78127-0398 | 39 | 44.00 | 40.40 | 20.20 | 21.90 | 19.60 | |
| 78127-1408 | 78127-0408 | 40 | 44.00 | 40.40 | 20.20 | 22.40 | 20.10 | |
| 78127-1418 | 78127-0418 | 41 | 44.00 | 40.40 | 20.20 | 22.90 | 20.60 | |
| 78127-1428 | 78127-0428 | 42 | 44.00 | 40.40 | 20.20 | 23.40 | 21.10 | |

| | | | | | | | |
|---|--------------------------------------|--|---|------------------------------------|--------------|---|---|
| REVISED EC NO: S2007-0721 DRWN: BOKOK CHKD: CGOH APPR: KCLING 2007/03/05 2007/03/05 2007/03/05 | QUALITY SYMBOLS | GENERAL TOLERANCES (UNLESS SPECIFIED) | DIMENSION STYLE | SCALE | DESIGN UNITS | THIRD ANGLE PROJECTION | |
| | $\nabla = 0$ $\nabla \square = 0$ | mm INCH 4 PLACES ± --- ± --- 3 PLACES ± --- ± --- 2 PLACES ± 0.15 ± --- 1 PLACE ± --- ± --- ANGULAR ± 3° | MM ONLY | NTS | METRIC | YLQ1A0 2006/05/05 BOKOK 2006/06/06 PTL IM 2006/06/06 | 0.50MM PITCH, FPC CONN. NON-ZIF, SMT |
| | DESCRIPTION | DRAFT WHERE APPLICABLE MUST REMAIN WITHIN DIMENSIONS | SEE TABLE | MOLEX INCORPORATED SD-78127-001 | | SHEET NO. 6 OF 7 | |
| | REV | SIZE | THIS DRAWING CONTAINS INFORMATION THAT IS PROPRIETARY TO MOLEX INCORPORATED AND SHOULD NOT BE USED WITHOUT WRITTEN PERMISSION | | | | |

9 8 7 6 5 4 3 2 1

10 9 8 7 6 5 4 3 2 1

TIN-BISMUTH PLATING TERMINAL ASSEMBLY PART NUMBERS

| ASSY P/N PACKED IN T&R | ASSY P/N W/O PACKAGING | CKT | W | So | F | Bo | B | EMBOSSED TYPE | ASSY P/N PACKED IN T&R | ASSY P/N W/O PACKAGING | CKT | W | So | F | Bo | B | EMBOSSED TYPE |
|---------------------------|---------------------------|-----|-------|-------|-------|-------|-------|------------------|---------------------------|---------------------------|-------|-------|-------|-------|-------|-------|------------------|
| 78127-1069 | 78127-0069 | 6 | 24.00 | - | 11.50 | 5.40 | 3.10 | A | 78127-1319 | 78127-0319 | 31 | 32.00 | 28.40 | 14.20 | 17.90 | 15.60 | B |
| 78127-1079 | 78127-0079 | 7 | 24.00 | - | 11.50 | 5.90 | 3.60 | | 78127-1329 | 78127-0329 | 32 | 32.00 | 28.40 | 14.20 | 18.40 | 16.10 | |
| 78127-1089 | 78127-0089 | 8 | 24.00 | - | 11.50 | 6.40 | 4.10 | | 78127-1339 | 78127-0339 | 33 | 32.00 | 28.40 | 14.20 | 18.90 | 16.60 | |
| 78127-1099 | 78127-0099 | 9 | 24.00 | - | 11.50 | 6.90 | 4.60 | | 78127-1349 | 78127-0349 | 34 | 32.00 | 28.40 | 14.20 | 19.40 | 17.10 | |
| 78127-1109 | 78127-0109 | 10 | 24.00 | - | 11.50 | 7.40 | 5.10 | | 78127-1359 | 78127-0359 | 35 | 32.00 | 28.40 | 14.20 | 19.90 | 17.60 | |
| 78127-1119 | 78127-0119 | 11 | 24.00 | - | 11.50 | 7.90 | 5.60 | | 78127-1369 | 78127-0369 | 36 | 32.00 | 28.40 | 14.20 | 20.40 | 18.10 | |
| 78127-1129 | 78127-0129 | 12 | 24.00 | - | 11.50 | 8.40 | 6.10 | | 78127-1379 | 78127-0379 | 37 | 32.00 | 28.40 | 14.20 | 20.90 | 18.60 | |
| 78127-1139 | 78127-0139 | 13 | 24.00 | - | 11.50 | 8.90 | 6.60 | | 78127-1389 | 78127-0389 | 38 | 32.00 | 28.40 | 14.20 | 21.40 | 19.10 | |
| 78127-1149 | 78127-0149 | 14 | 24.00 | - | 11.50 | 9.40 | 7.10 | | 78127-1399 | 78127-0399 | 39 | 44.00 | 40.40 | 20.20 | 21.90 | 19.60 | |
| 78127-1159 | 78127-0159 | 15 | 24.00 | - | 11.50 | 9.90 | 7.60 | | 78127-1409 | 78127-0409 | 40 | 44.00 | 40.40 | 20.20 | 22.40 | 20.10 | |
| 78127-1169 | 78127-0169 | 16 | 24.00 | - | 11.50 | 10.40 | 8.10 | 78127-1419 | 78127-0419 | 41 | 44.00 | 40.40 | 20.20 | 22.90 | 20.60 | | |
| 78127-1179 | 78127-0179 | 17 | 24.00 | - | 11.50 | 10.90 | 8.60 | 78127-1429 | 78127-0429 | 42 | 44.00 | 40.40 | 20.20 | 23.40 | 21.10 | | |
| 78127-1189 | 78127-0189 | 18 | 24.00 | - | 11.50 | 11.40 | 9.10 | | | | | | | | | | |
| 78127-1199 | 78127-0199 | 19 | 24.00 | - | 11.50 | 11.90 | 9.60 | | | | | | | | | | |
| 78127-1209 | 78127-0209 | 20 | 24.00 | - | 11.50 | 12.40 | 10.10 | | | | | | | | | | |
| 78127-1219 | 78127-0219 | 21 | 32.00 | 28.40 | 14.20 | 12.90 | 10.60 | | | | | | | | | | |
| 78127-1229 | 78127-0229 | 22 | 32.00 | 28.40 | 14.20 | 13.40 | 11.10 | | | | | | | | | | |
| 78127-1239 | 78127-0239 | 23 | 32.00 | 28.40 | 14.20 | 13.90 | 11.60 | | | | | | | | | | |
| 78127-1249 | 78127-0249 | 24 | 32.00 | 28.40 | 14.20 | 14.40 | 12.10 | | | | | | | | | | |
| 78127-1259 | 78127-0259 | 25 | 32.00 | 28.40 | 14.20 | 14.90 | 12.60 | | | | | | | | | | |
| 78127-1269 | 78127-0269 | 26 | 32.00 | 28.40 | 14.20 | 15.40 | 13.10 | | | | | | | | | | |
| 78127-1279 | 78127-0279 | 27 | 32.00 | 28.40 | 14.20 | 15.90 | 13.60 | | | | | | | | | | |
| 78127-1289 | 78127-0289 | 28 | 32.00 | 28.40 | 14.20 | 16.40 | 14.10 | | | | | | | | | | |
| 78127-1299 | 78127-0299 | 29 | 32.00 | 28.40 | 14.20 | 16.90 | 14.60 | | | | | | | | | | |
| 78127-1309 | 78127-0309 | 30 | 32.00 | 28.40 | 14.20 | 17.40 | 15.10 | | | | | | | | | | |

| | | | | | | | | | | |
|---|----------------------------------|--|---------|--|--------------------|--|------------------------------|---------------------------|--|--|
| REVISED EC NO: S2007-0721 DRWN: BOKOK CHKD: CGOH APPR: KCLING 2007/03/05 2007/03/05 2007/03/05 | QUALITY SYMBOLS ▽=0 ▽=0 | GENERAL TOLERANCES (UNLESS SPECIFIED) | | DIMENSION STYLE MM ONLY | | SCALE NTS | DESIGN UNITS METRIC | THIRD ANGLE PROJECTION | | |
| | | 4 PLACES ± --- ± --- | mm INCH | DRAWN BY YLQ1A0 | DATE 2006/05/05 | TITLE 0.50MM PITCH, FPC CONN. NON-ZIF, SMT | | | | |
| | | 3 PLACES ± --- ± --- | | CHECKED BY BOKOK | DATE 2006/06/06 | MOLEX INCORPORATED | | | | |
| | | 2 PLACES ± 0.15 ± --- | | APPROVED BY PTL IM | DATE 2006/06/06 | MATERIAL NO. SEE TABLE | DOCUMENT NO. SD-78127-001 | SHEET NO. 7 OF 7 | | |
| 1 PLACE ± --- ± --- | | ANGULAR ± 3 ° | | DRAFT WHERE APPLICABLE MUST REMAIN WITHIN DIMENSIONS | | THIS DRAWING CONTAINS INFORMATION THAT IS PROPRIETARY TO MOLEX INCORPORATED AND SHOULD NOT BE USED WITHOUT WRITTEN PERMISSION | | | | |
| A1 | REV | | | | | | | | | |

9 8 7 6 5 4 3 2 1