

**PLEASE CHECK WWW.MOLEX.COM FOR LATEST PART INFORMATION**

**Part Number:** **0502407825**  
**Status:** **Active**  
**Description:** Ring Tongue Terminal for 14-16 AWG, Closed Uninsulated Brazed Barrel, Stud Size 5/16" (M8), Oxygen-Free Copper, Length 21.70mm (.854")

**Documents:**

[Drawing \(PDF\)](#) [RoHS Certificate of Compliance \(PDF\)](#)  
[Product Specification PS-50240-003 \(PDF\)](#)

**Agency Certification**

CSA LR95446

**General**

Product Family Ring and Spade Terminals  
 Series 50240  
 Crimp Quality Equipment Yes  
 Mil-Spec N/A  
 Product Name R (Ring)  
 Type Ring

**Physical**

Barrel Type Closed - Brazed  
 Insulation None  
 Material - Plating Mating Tin  
 Packaging Type Bag  
 Plating min: Mating (µin) 40  
 Plating min: Mating (µm) 1  
 Plating min: Termination (µin) 40  
 Plating min: Termination (µm) 1  
 Stud Size 5/16" (M8)  
 Termination Interface: Style Crimp or Compression  
 Wire Size AWG 14, 16  
 Wire Size mm<sup>2</sup> 1.04 - 2.63

**Material Info**

**Reference - Drawing Numbers**

Product Specification PS-50240-003  
 Sales Drawing SD-50240-002



Series

image - Reference only

**EU RoHS**

**ELV and RoHS Compliant**  
**REACH SVHC**  
 Not Reviewed  
**Halogen-Free Status**  
**Not Reviewed**

**China RoHS**



**Need more information on product environmental compliance?**

Email [productcompliance@molex.com](mailto:productcompliance@molex.com)  
 For a multiple part number RoHS Certificate of Compliance, [click here](#)

Please visit the [Contact Us](#) section for any non-product compliance questions.

**Search Parts in this Series**

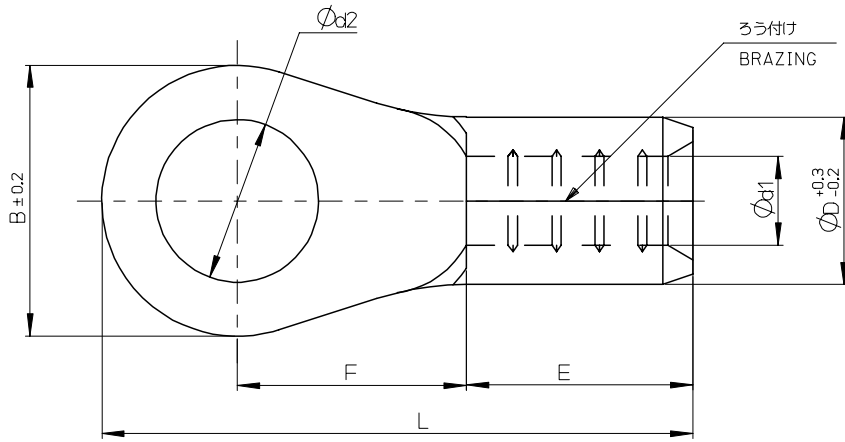
50240Series

**Application Tooling | [FAQ](#)**

*Tooling specifications and manuals are found by selecting the products below. Crimp Height Specifications are then contained in the Application Tooling Specification document.*

**Japan**

Description	Product #
Hand Crimper For JIS Terminal	<a href="#">0572575000</a>
Hand Crimper For JIS Terminal	<a href="#">0573435002</a>

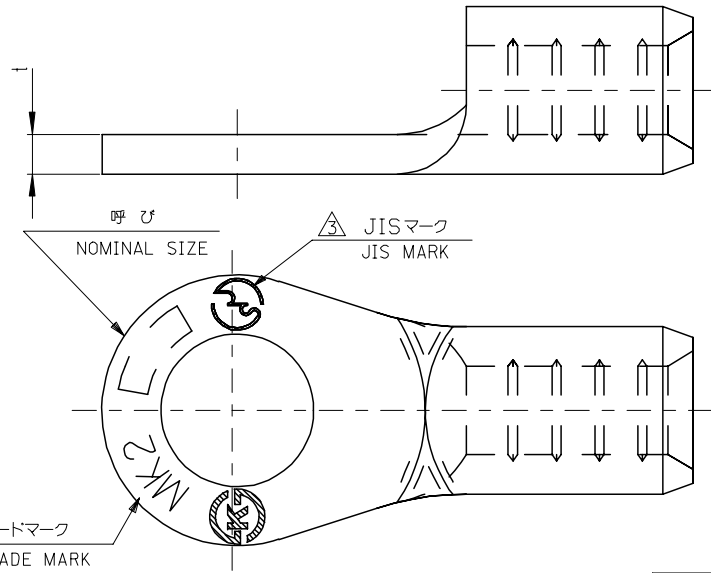


注記 NOTES

- 1 材質 MATERIAL  
端子: 無酸素銅、スズメッキ  
TERMINAL: OXYGEN FREE COPPER, TIN PLATING  
ろう付け部: リン銅ろう  
PART OF BRAZING : COPPER PHOSPHORUS BRAZING FILLER METALS
- 2 適用電線 APPLICABLE WIRE RANGE

単線 SOLID WIRE	撚線 STRANDED WIRE
1.14-1.82 mm	1.04-2.63 mm <sup>2</sup>

△ JIS規格品。JISマークはJIS認定品のみ舌部に刻印。  
THESE ITEMS ARE BASED ON JIS STANDARD.  
JIS MARK SHOULD BE STAMPED AT TONGUE PART ONLY IN THE RECOGNITION GOODS.



	0.8 <sup>+0.1</sup> <sub>-0.05</sub>	13 <sup>±0.2</sup>	26.9 <sup>±0.5</sup>	13.9 <sup>±0.5</sup>	4.5 <sup>±0.4</sup>	2.4 <sup>±0.3</sup>	4.1	17		12	50240-7026
		10.5 <sup>±0.2</sup>	24 <sup>±0.5</sup>	12.3 <sup>±0.5</sup>				14.5		10	-7925
JIS	0.8 MIN	8.4 <sup>+0.2</sup> <sub>0</sub>	22 <sup>MAX</sup>	9 <sup>MIN</sup>	4.1 <sup>MIN</sup>	2.3 <sup>±0.2</sup>	4.2	12		8	-7826
											-7825
		5.3 <sup>±0.2</sup>	16.5 <sup>±0.5</sup>	7.8 <sup>±0.5</sup>				8.5		S5	-7725
		4.3 <sup>±0.2</sup>	14.4 <sup>±0.5</sup>	6.6 <sup>±0.5</sup>						M4	-7625
			16 <sup>±0.5</sup>	8.2 <sup>±0.5</sup>	4.5 <sup>±0.4</sup>	2.4 <sup>±0.3</sup>	4.1	6.6	2	S4	-7525
										L3.5	-7425
		3.7 <sup>±0.2</sup>	13.9 <sup>±0.5</sup>	6.5 <sup>±0.5</sup>				5.8		M3.5	-7325
			12.4 <sup>±0.5</sup>	4.6 <sup>±0.5</sup>				6.6		S3.5	-7126
			13.9 <sup>±0.5</sup>	6.6 <sup>±0.5</sup>				5.5		L3	-7225
		3.2 <sup>±0.2</sup>	12.4 <sup>±0.5</sup>	5.2 <sup>±0.5</sup>				6.6		M3	-7125
				4.6 <sup>±0.5</sup>						3	50240-7025
△	t	Ød2	L	F	E	Ød1	ØD	B	呼び NOMINAL SIZE		MATERIAL NO.

REVISED EC NO: J2007-1398 DRAWN BY DRWNKI ITO 2006/11/29 CHKD: KASAHARA 2006/11/29 APPR: NUKITA 2006/11/30	GENERAL TOLERANCES (UNLESS SPECIFIED)		DIMENSION STYLE MM ONLY		SCALE ---	DESIGN UNITS METRIC	THIRD ANGLE PROJECTION	
	10 UNDER	±0.2	DRAWN BY T. KAIHO	DATE 2002/05/27	TITLE RING TERMINAL			
	10 OVER 30 UNDER	±0.25	CHECKED BY T. ITO	DATE 2002/05/27	APPROVED BY T. YAMAGUCHI 2002/05/27			
	30 OVER	±0.3	APPROVED BY T. YAMAGUCHI 2002/05/27		MATERIAL NO.		SHEET NO. 1 OF 1	
A	ANGULAR	±3 °	DRAFT WHERE APPLICABLE MUST REMAIN WITHIN DIMENSIONS		SEE CHART		SD-50240-002	
THIS DRAWING CONTAINS INFORMATION THAT IS PROPRIETARY TO MOLEX INCORPORATED AND SHOULD NOT BE USED WITHOUT WRITTEN PERMISSION								