

PLEASE CHECK WWW.MOLEX.COM FOR LATEST PART INFORMATION

Part Number: **0502407225**
Status: **Active**
Description: Ring Tongue Terminal for 14-16 AWG, Closed Uninsulated Brazed Barrel, Stud Size 5 (M3), Oxygen-Free Copper, Length 13.90mm (.547")

Documents:

[Drawing \(PDF\)](#) [RoHS Certificate of Compliance \(PDF\)](#)
[Product Specification PS-50240-003 \(PDF\)](#)

Agency Certification

CSA LR95446

General

Product Family Ring and Spade Terminals
 Series 50240
 Crimp Quality Equipment Yes
 Mil-Spec N/A
 Product Name R (Ring)
 Type Ring

Physical

Barrel Type Closed - Brazed
 Insulation None
 Material - Plating Mating Tin
 Packaging Type Bag
 Plating min: Mating (µin) 40
 Plating min: Mating (µm) 1
 Plating min: Termination (µin) 40
 Plating min: Termination (µm) 1
 Stud Size 5 (M3)
 Termination Interface: Style Crimp or Compression
 Wire Size AWG 14, 16
 Wire Size mm² 1.04 - 2.63

Material Info

Reference - Drawing Numbers

Product Specification PS-50240-003
 Sales Drawing SD-50240-002



Series

image - Reference only

EU RoHS

ELV and RoHS Compliant
REACH SVHC
 Not Reviewed
Halogen-Free Status
Not Reviewed

China RoHS



Need more information on product environmental compliance?

Email productcompliance@molex.com
 For a multiple part number RoHS Certificate of Compliance, [click here](#)

Please visit the [Contact Us](#) section for any non-product compliance questions.

Search Parts in this Series

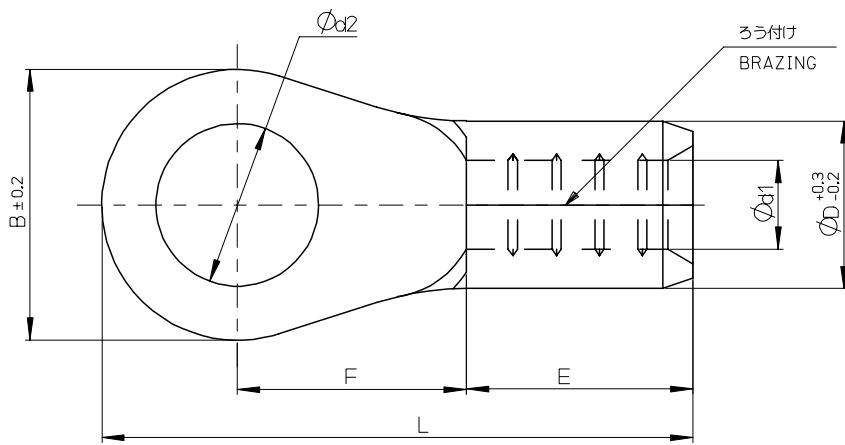
50240Series

Application Tooling | [FAQ](#)

Tooling specifications and manuals are found by selecting the products below. Crimp Height Specifications are then contained in the Application Tooling Specification document.

Japan

Description	Product #
Hand Crimper For JIS Terminal	0572575000
Hand Crimper For JIS Terminal	0573435002

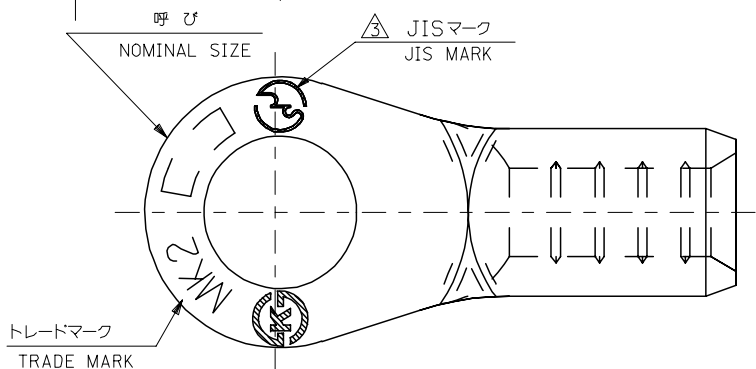
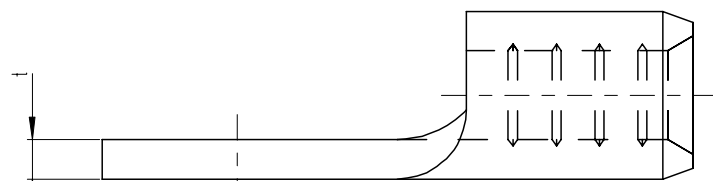


注記 NOTES

- 1 材質 MATERIAL
端子:無酸素銅、スズメッキ
TERMINAL:OXYGEN FREE COPPER, TIN PLATING
ろう付け部:りん銅ろう
PART OF BRAZING :COPPER PHOSPHORUS BRAZING FILLER METALS
- 2 適用電線 APPLICABLE WIRE RANGE

単線 SOLID WIRE	撚線 STRANDED WIRE
1.14-1.82 mm	1.04-2.63 mm ²

△ JIS規格品。JISマークはJIS認定品のみ舌部に刻印。
THESE ITEMS ARE BASED ON JIS STANDARD.
JIS MARK SHOULD BE STAMPED AT TONGUE PART
ONLY IN THE RECOGNITION GOODS.



	0.8 ^{+0.1} _{-0.05}	13 ^{±0.2}	26.9 ^{±0.5}	13.9 ^{±0.5}	4.5 ^{±0.4}	2.4 ^{±0.3}	4.1	17		12	50240-7026
		10.5 ^{±0.2}	24 ^{±0.5}	12.3 ^{±0.5}				14.5		10	-7925
JIS	0.8 MIN	8.4 ^{+0.2} ₀	22 ^{MAX}	9 ^{MIN}	4.1 ^{MIN}	2.3 ^{±0.2}	4.2	12		8	-7826
											-7825
		5.3 ^{±0.2}	16.5 ^{±0.5}	7.8 ^{±0.5}				8.5		S5	-7725
		4.3 ^{±0.2}	14.4 ^{±0.5}	6.6 ^{±0.5}						M4	-7625
			16 ^{±0.5}	8.2 ^{±0.5}	4.5 ^{±0.4}	2.4 ^{±0.3}	4.1	6.6	2	S4	-7525
										L3.5	-7425
		3.7 ^{±0.2}	13.9 ^{±0.5}	6.5 ^{±0.5}				5.8		M3.5	-7325
			12.4 ^{±0.5}	4.6 ^{±0.5}				6.6		S3.5	-7126
			13.9 ^{±0.5}	6.6 ^{±0.5}				5.5		L3	-7225
		3.2 ^{±0.2}	12.4 ^{±0.5}	5.2 ^{±0.5}				6.6		M3	-7125
				4.6 ^{±0.5}						3	50240-7025
△	t	Ød2	L	F	E	Ød1	ØD	B	呼び NOMINAL SIZE		MATERIAL NO.

REVISED EC NO: J2007-1398 DRAWN BY DRWNKI ITO 2006/11/29 CHKD:KASAHARA 2006/11/29 APPR:NUKITA 2006/11/30	GENERAL TOLERANCES (UNLESS SPECIFIED)		DIMENSION STYLE MM ONLY		SCALE ---	DESIGN UNITS METRIC	THIRD ANGLE PROJECTION	
	10 UNDER	±0.2	DRAWN BY T. KAIHO	DATE 2002/05/27	TITLE RING TERMINAL			
	10 OVER 30 UNDER	±0.25	CHECKED BY T. ITO	DATE 2002/05/27	APPROVED BY T. YAMAGUCHI 2002/05/27			
	30 OVER	±0.3	APPROVED BY T. YAMAGUCHI 2002/05/27		MOLEX INCORPORATED		SHEET NO. 1 OF 1	
	ANGULAR ±3 °	DRAFT WHERE APPLICABLE MUST REMAIN WITHIN DIMENSIONS		SEE CHART		DOCUMENT NO. SD-50240-002		
A	SIZE A3	THIS DRAWING CONTAINS INFORMATION THAT IS PROPRIETARY TO MOLEX INCORPORATED AND SHOULD NOT BE USED WITHOUT WRITTEN PERMISSION						