

PLEASE CHECK WWW.MOLEX.COM FOR LATEST PART INFORMATION

Part Number: **0190990028**
Status: **Active**
Description: InsulKrimp™ Snap Spade for 16-14 AWG Wire, Stud Size 6, Mylar Tape Carrier

Documents:

[Drawing \(PDF\)](#) [Product Specification PS-19902-009 \(PDF\)](#)
[Drawing \(PDF\)](#) [RoHS Certificate of Compliance \(PDF\)](#)

Agency Certification

CSA LR18689
 UL E32244

General

Product Family Ring and Spade Terminals
 Series [19099](#)
 Crimp Quality Equipment Yes
 Mil-Spec N/A
 Product Name InsulKrimp™
 Type Spade Snap

Physical

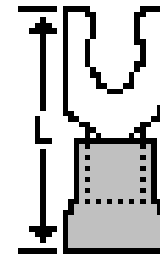
Barrel Type Closed
 Color - Resin Natural
 Flammability 94V-2
 Insulation PVC
 Material - Plating Mating Tin
 Packaging Type Adhesive Tape on Reel
 Stud Size 5-6 (M3-3.5)
 Wire Insulation Diameter 4.40mm (.175") max.
 Wire Size AWG 14, 16
 Wire Size mm² 1.00 - 2.60

Material Info

Old Part Number BB-2707-06XT

Reference - Drawing Numbers

Product Specification PS-19902-009
 Sales Drawing BBCD20502



*Series
 image - Reference only*

EU RoHS

**ELV and RoHS
 Compliant**
REACH SVHC
 Not Reviewed
**Halogen-Free
 Status**
Not Reviewed

China RoHS



**Need more information on product
 environmental compliance?**

Email productcompliance@molex.com
 For a multiple part number RoHS Certificate of
 Compliance, [click here](#)

Please visit the [Contact Us](#) section for any
 non-product compliance questions.

Search Parts in this Series

[19099Series](#)

Application Tooling | [FAQ](#)

*Tooling specifications and manuals are
 found by selecting the products below.
 Crimp Height Specifications are then
 contained in the Application Tooling
 Specification document.*

Global

Description	Product #
Crimp Dies for MTA-100 Tape Applicator used in 3BF Press, MTA-105 Tape Applicator used in TM-2000™ Press, and ATP-301 Air Crimping Press for Mylar Tape Mounted Terminals	0192880123
Mini-Mac™ Applicator	0638850400

This document was generated on 03/18/2010

PLEASE CHECK WWW.MOLEX.COM FOR LATEST PART INFORMATION

NOTES:

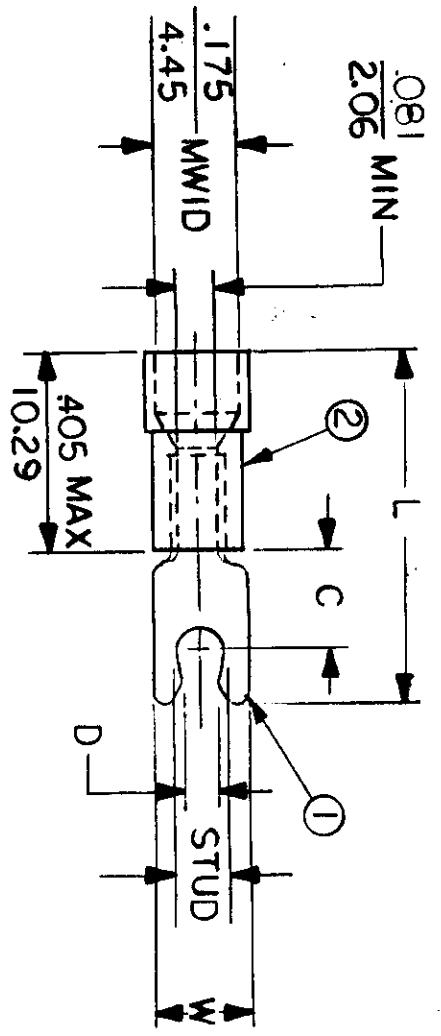
- ① MAT'L: COPPER (STOCK TKN. $\frac{.031}{.79}$)
- PLATING: ELECTRO-TIN (.0003 MIN.)
- ② INSULATION: MOLDED PVC (BLUE)

STUD SIZES: ($\pm .005$)

- 02 = .094
- 04 = .119
- 06 = .146
- 08 = .173
- 10 = .198
- 14 = .265
- 56 = .328
- 38 = .390

"UL" LISTING # E32244
 "CSA" LISTING # 18689

ALL DIMENSIONS = INCHES
M.M.



MWID = MAXIMUM WIRE
 INSULATION DIAMETER
 WIRE SIZE: 16 - 14 AWG
 10 - 2.5MM²

PART NUMBER	"W" ±.010	"C" MIN.	"L" MAX.	"D" ±.005	AVAILABLE STUD SIZES	DIMENSIONAL TOLERANCES UNLESS OTHERWISE SPECIFIED		SCALE:	NTS	DATE	TITLE:	DWG. NO.	CUSTOMER
						FRAC.	DEC.						
BB-2707-	$\frac{.250}{6.35}$	$\frac{.230}{5.84}$	$\frac{.810}{20.57}$	$\frac{.105}{2.67}$	05X ($\frac{.127}{3.23}$)	±	±			11.7.84	SNAP SPADE SHORT TONGUE TERMINAL INSULKRIMP 200 SERIES	A	
BB-2707-	$\frac{.250}{6.35}$	$\frac{.230}{5.84}$	$\frac{.810}{20.57}$	$\frac{.114}{2.90}$	06X	±	±			11.14.84			
BB-2708-	$\frac{.375}{9.53}$	$\frac{.261}{6.63}$	$\frac{.871}{22.12}$	$\frac{.139}{3.53}$	08X	±	±						
BB-2709-	$\frac{.406}{10.31}$	$\frac{.261}{6.63}$	$\frac{.919}{23.34}$	$\frac{.156}{3.96}$	10X	±	±						

