

# SYS-4W5122-4U01

Intel® Core™ 2 Duo  
MicroATX System with  
PS/2 Power Supply

**NEW**



## Features

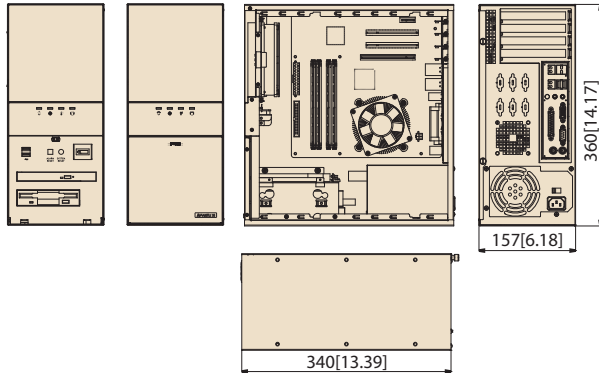
- **Intel 945G platform**
  - Supports Intel Core 2 Duo processor up to 2.66 GHz
  - Supports dual channel DDR2 533/667 SDRAM up to 4GB
  - Support one PCIe x 16, one PCIe x 1 and two PCI add-on cards
- **User friendly and alarm notification**
  - Front LED indicators for the system default detection
  - Easy-to-maintain system fan and reusable air filter
- **Supports single PS/2 300 W / 400 W power supply**

## Specifications

Form Factor	Wallmount / Desktop					
Processor System	Chipset	Intel 945G + ICH7				
	CPU	Core 2 Duo	Pentium D	Pentium 4	Pentium Dual Core	Celeron D
		2.66 GHz	3.2 GHz	3.8 GHz	2.2 GHz	3.06 GHz
	L2 Cache	4 MB	4 MB	2 MB / 1 MB	1 MB	512 KB / 256 KB
	Front Side Bus	500/800/1066 MHz				
Memory	Dual channel DDR2 533/667 MHz up to 4 GB					
	Controller	Intel GMA950 integrated				
Graphics	VRAM	Dynamically shared 224 MB system memory				
Expansion Slot	PCIe x 16	1				
	PCIe x 1	1				
	PCI	2				
Storage	Optical Drive (supported)	Slim DVD-ROM / CD-RW / CD-ROM				
	Floppy Disk (supported)	3.5" 1.44 MB FDD				
	HDD (supported)	SATA				
Drive Bay	Slim ODD Bay	1				
	3.5" (front-accessible)	1				
	3.5" (internal)	1				
Ethernet	Interface	10/100/1000 Mbps Gigabit Ethernet				
	Controller	Intel 82573L				
Front I/O Interface	USB	2				
Rear I/O Interface	USB	4				
	PS/2	2				
	COM	2				
	VGA	1				
	Parallel	1				
	RJ-45	1				
	Audio	6 (Mic-in, Line-In, Line-Out, CD-Audio)				
Operating System	Microsoft Windows 2000/ XP/ Vista					
Watchdog Timer	Output	System reset				
	Interval	Programmable 1 ~ 255 seconds				
Power Supply	Power Output Wattage	300 W				
	Input Range	AC 100 ~ 240 V				
Cooling	Chassis Fan	1 (12 cm / 85 CFM)				
	Air Filter	Yes				
Miscellaneous	LED Indicators	Power, HDD activity, temperature and fan				
Environment	Operating		Non-Operating			
	Temperature	0 ~ 40° C (32 ~ 104° F)		-20 ~ 60° C (-4 ~ 140° F)		
	Humidity	10 ~ 85% @ 40° C non-condensing		10 ~ 95% @ 40° C non-condensing		
Physical Characteristics	Dimensions (W x H x D)	157 x 360 x 340 mm (6.2" x 14.2" x 13.4")				
	Weight	10 kg (22 lb)				

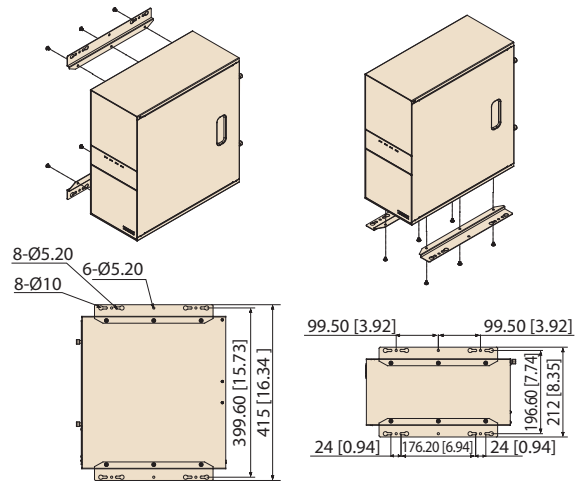
## Dimensions

Unit: mm (inch)



## Installation

Unit: mm (inch)



## Accessories

Part Number	Description
1750001661	2U CPU cooler (supports up to 84W)
1960022033T000	2U CPU cooler (supports up to 95W)
1750003740	85.2 CFM, 120 x 120 x 25 mm system cooling fan
1750003720	27.7 CFM, 60 x 60 x 13 mm system cooling fan
1990001392	Fan filter 140 x 120 x 12 mm
96SCOM-8X-ST-SN-B	Black slim 8X24X24X SATA Combo
96SDVR-8X-ST-SN-B	Black slim 8X SATA DVDRW-ROM
96FDD-144-TE-B1	Black 3.5" FDD

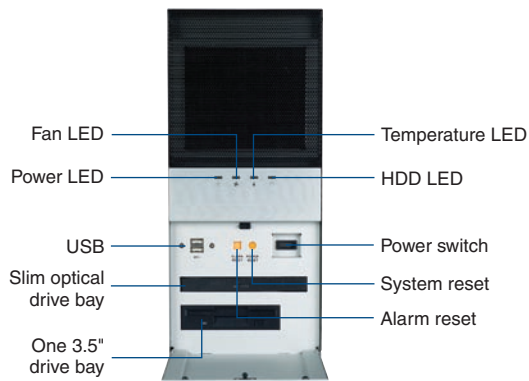
## System Content

Item	Part Number
Chassis	IPC-5122-30ZE
Motherboard	AIMB-562VG-00A1E

## Inside View



## Front View



## Rear View

