

PLEASE CHECK WWW.MOLEX.COM FOR LATEST PART INFORMATION

Part Number: [1302890002](#)
Status: **Active**
Description: Hazardous Location Stanchion Light, Quartz Halogen, 16-3 Cord with 15A Plug, Length 15.24m (50.0')

Documents:

[Drawing \(PDF\)](#) [RoHS Certificate of Compliance \(PDF\)](#)

General

Product Family	Lighting
Series	130289
Hazardous Classification	Class I, Division 1, Groups C and D, T3C
NEMA Configuration	NEMA 5-15
NEMA Rating	NEMA 4
Outlet	None
Product Name	Wide Area
Type	Spotlight/Floodlights
Woodhead	Yes

Physical

Cord Length - Primary	15.24m (50.0')
Cord Length - Secondary	N/A
Duty	Hazardous
Guard Type	Cast Aluminum
Material - Globe	Clear Polycarbonate
Material - Guard	Aluminum
Mounting Style	Stanchion
Packaging Type	Carton

Electrical

Bulb Type	Quartz Halogen
Cord Type - Primary	16/3 SOW
Lamp Type	RSC-Double Ended
Lamp Wattage - Maximum	300W
Lumens	10600
On/Off Switch	No
Voltage (Fixture) - Maximum	120V

Material Info

Old Part Number	S2300-HZX050163
-----------------	-----------------

Reference - Drawing Numbers

Sales Drawing	SD-130289-001
---------------	---------------

EU RoHS **China RoHS**

Compliance Status

Not Reviewed

REACH SVHC

Not Reviewed

Halogen-Free

Status

Not Reviewed

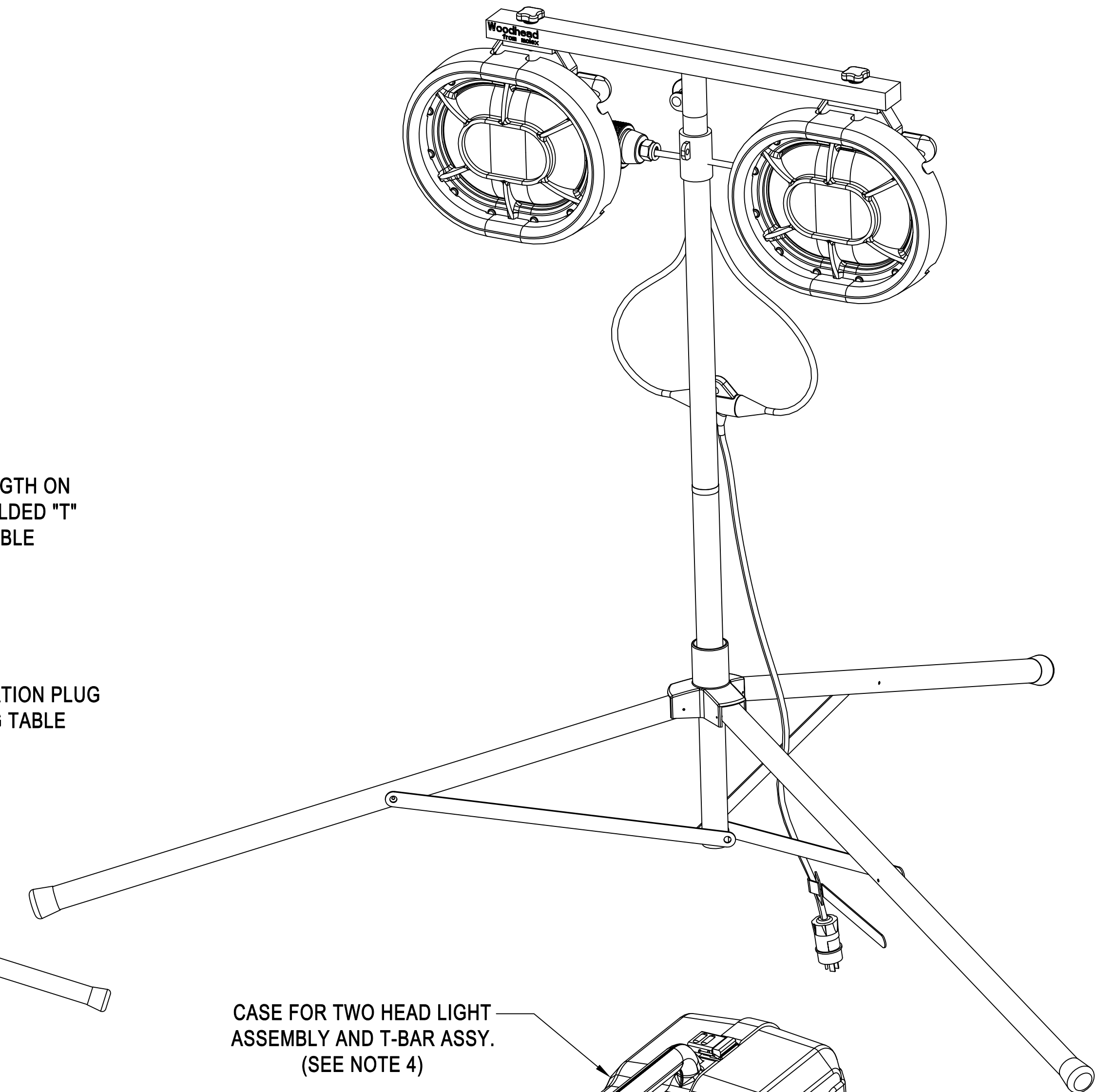
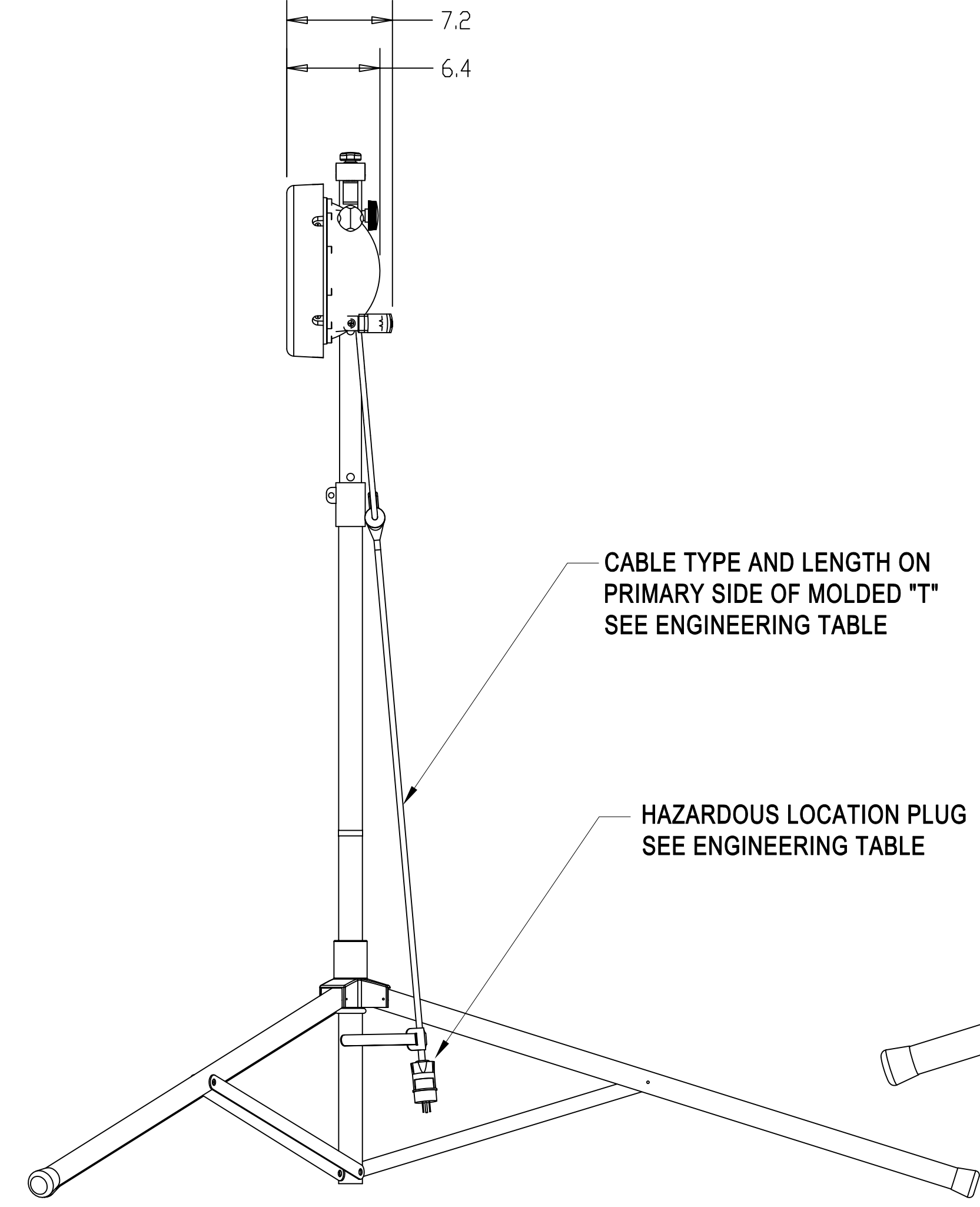
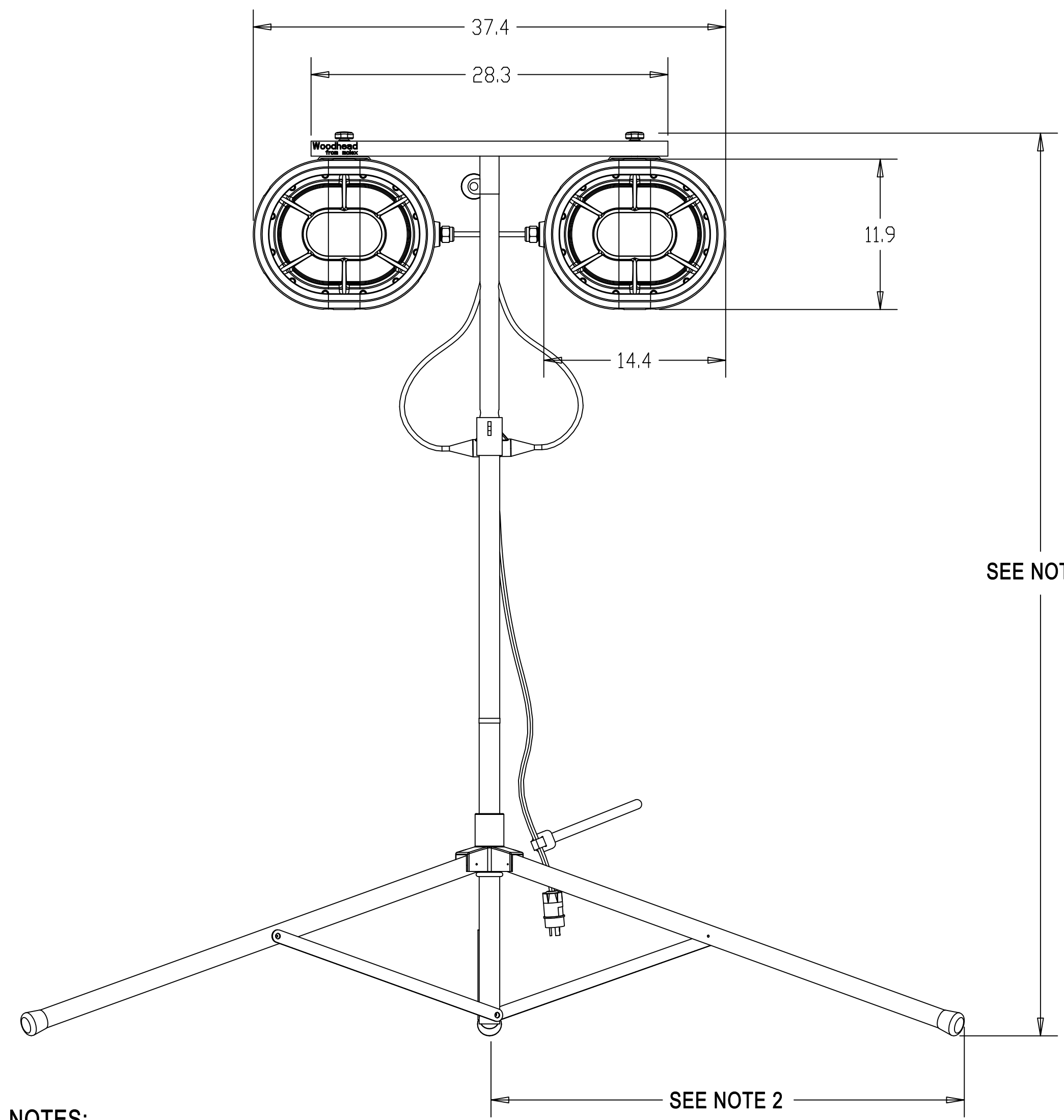
Need more information on product environmental compliance?

Email productcompliance@molex.com
 For a multiple part number RoHS Certificate of Compliance, [click here](#)

Please visit the [Contact Us](#) section for any non-product compliance questions.

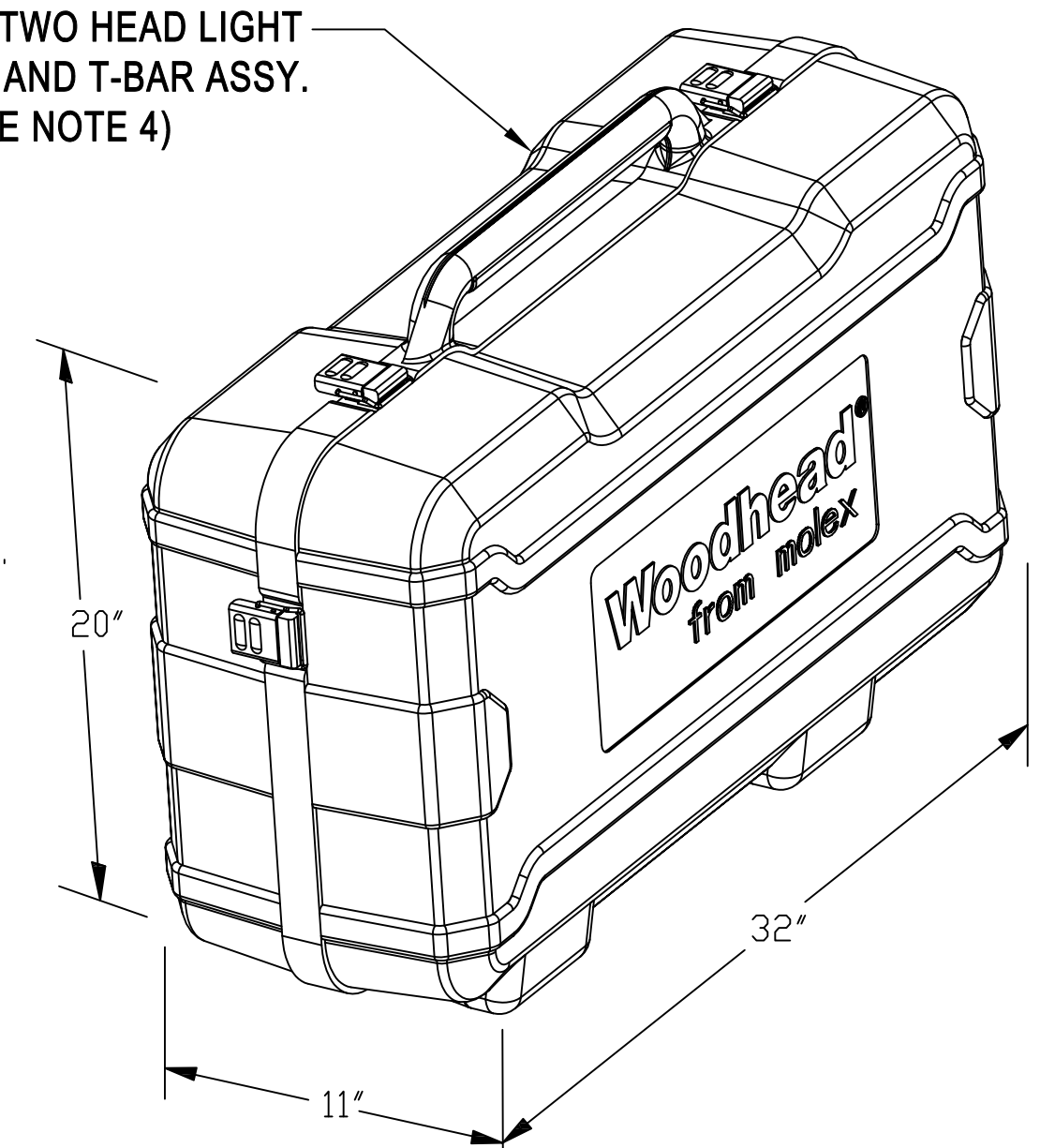
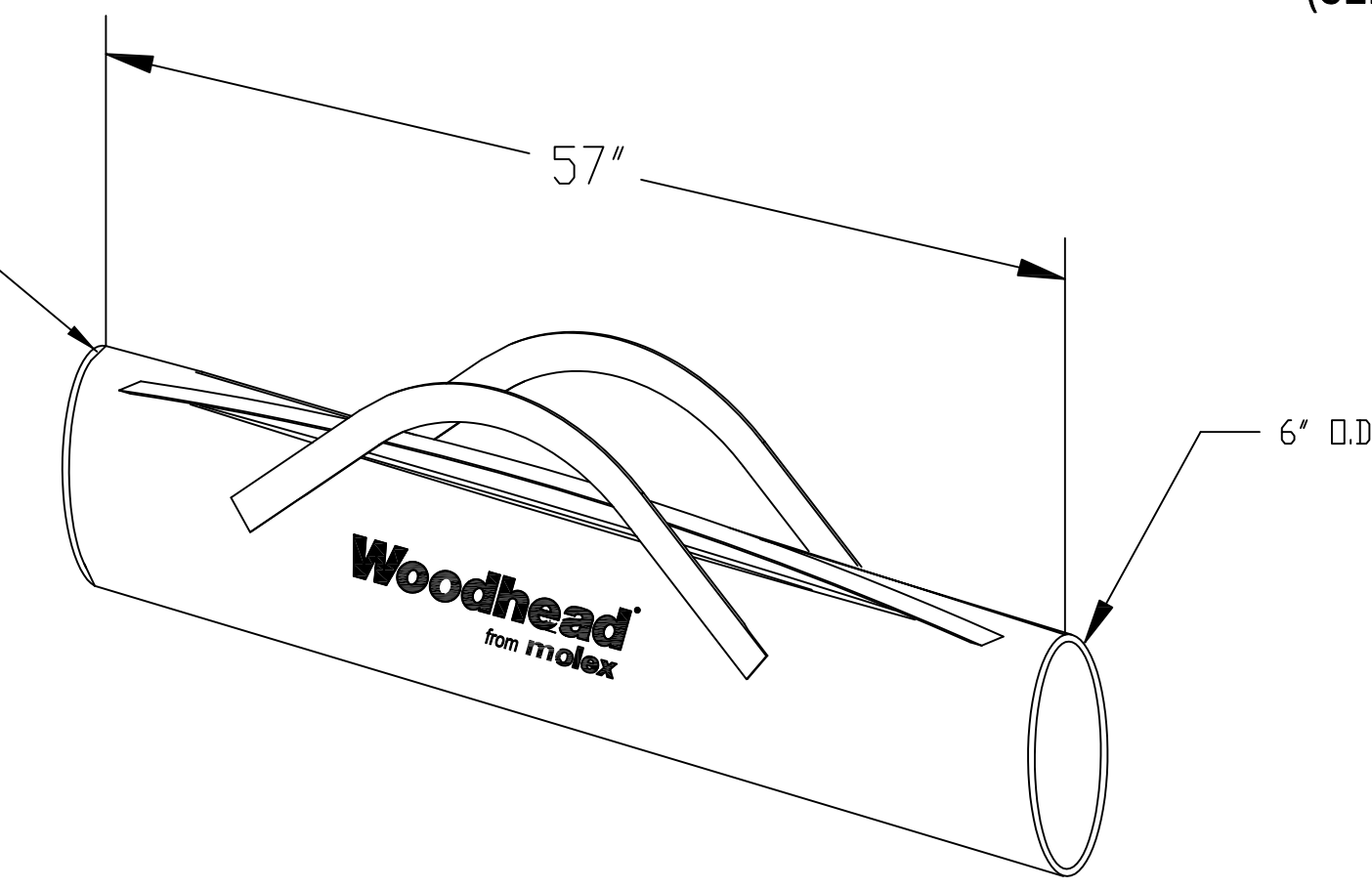
Search Parts in this Series

[130289Series](#)



- NOTES:**
1. ADJUSTABLE HEIGHT: MAXIMUM 6.25 FT
 2. RECOMENDED LENGTH: 3 FT RADIUS
 3. LAMP ASSEMBLY REQUIRES 300 WATT HALOGEN BULBS DOUBLE ENDED T3Q
 4. FINISH PRODUCT WILL BE PACK IN CORRUGATED CARDBOARD BOX

BAG FOR TRIPOD ASSEMBLY (SEE NOTE 4)

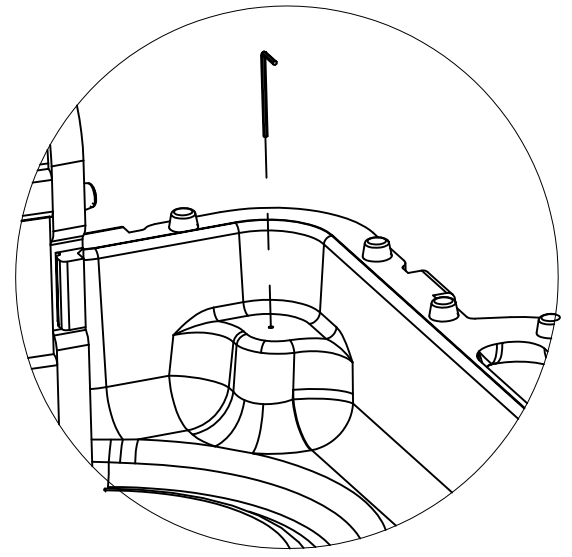
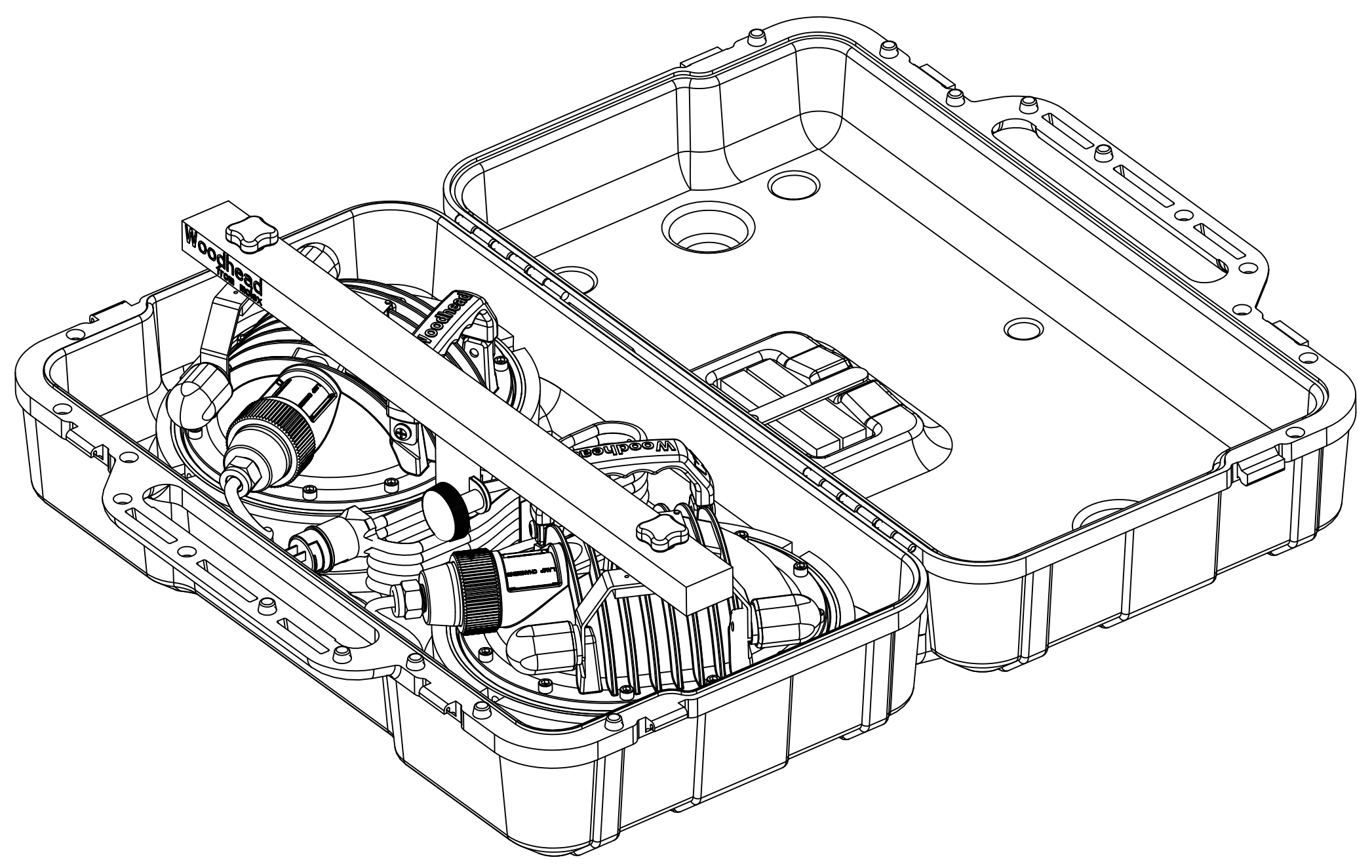
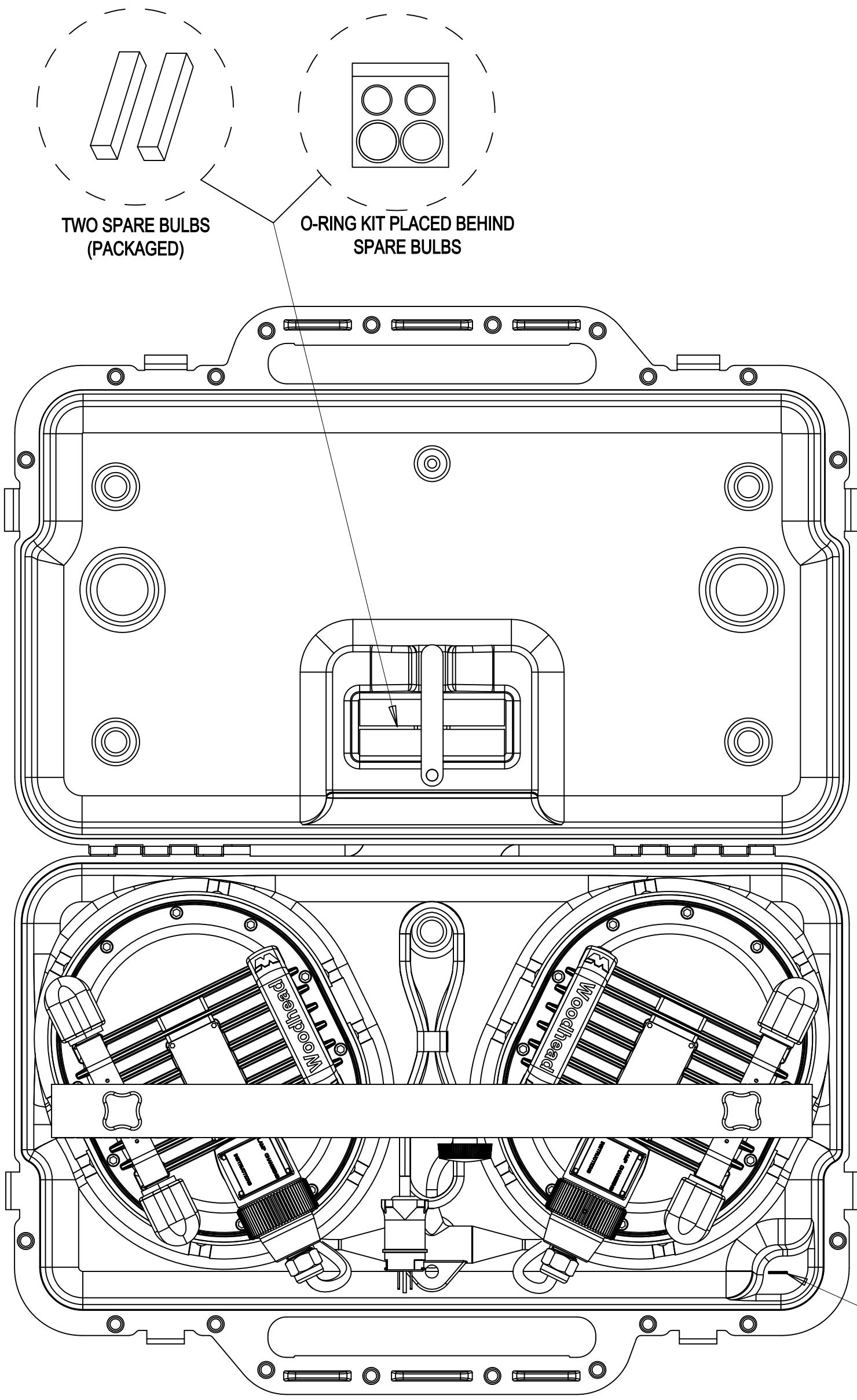


ENGINEERING TABLE

ORDERING SERIES	ENGINEERING BASE PART NUMBER	WHERE		
130289	S2300-HZAXXX###	A	XXX	###
		"A" DENOTES PLUG STYLE	"XXX" DENOTES CABLE LENGTH ON PRIMARY SIDE OF MOLDED "T"	"###" DENOTES CABLE TYPE ON PRIMARY SIDE OF MOLDED "T"
X		EXPLOSION PROOF NEMA 15A	025	25 ft.
Y		EXPLOSION PROOF NEMA 20A	050	50 ft.
N		NO PLUG OR FLYING LEADS	163	#16 GAUGE, 3 CONDUCTOR
			143	#14 GAUGE, 3 CONDUCTOR
			123	#12 GAUGE, 3 CONDUCTOR

ENGINEERING NO.	MATERIAL NO.	PLUG	CABLE LENGTH	CABLE TYPE
S2300-HZX025163	1302890001	X	25 FT	#16/3 SOOW
S2300-HZX050163	1302890002	X	50 FT	#16/3 SOOW
S2300-HZN025163	1302890003	N	25 FT	#16/3 SOOW
S2300-HZN050163	1302890004	N	50 FT	#16/3 SOOW

ADD ENG. TABLE & SHEET 2 EC NO: WNA2010-0311 DRWN: MCHOJECK 11/5/09 CHKD: --- APPR: DTITUS 2010/01/04	QUALITY SYMBOL	GENERAL TOLERANCES (UNLESS SPECIFIED)	DIMENSION STYLE	SCALE	DESIGN UNITS	THIRD ANGLE PROJECTION
	▽=0	4 PLACES ±----	INCH	NTS	INCH	
	▽=0	3 PLACES ±----	mm	DRAWN BY DATE	TITLE	
	▽=0	2 PLACES ±----	±.005	MC 2009/01/23	HAZARDOUS LOCATION STANCHION LIGHT	
		1 PLACE ±----	±.020	CHECKED BY DATE		
			±.010	DT 2009/01/23		
				APPROVED BY DATE		
				DTITUS 2009/12/04		
				MATERIAL NO.	DOCUMENT NO.	
				SEE TABLE	SD-130289-001	
				SIZE		SHEET NO.
				D		1 OF 2
				THIS DRAWING CONTAINS INFORMATION THAT IS PROPRIETARY TO MOLEX INCORPORATED AND SHOULD NOT BE USED WITHOUT WRITTEN PERMISSION		



5/64" ALLEN HEX WRENCH
SEE DETAIL B

DETAIL B

ADD ENG. TABLE & SHEET 2 EC NO: WNA2010-0311 DRWN: MCHOJECK 11/5/09 CH'KD: --- APPR: DTITUS 2010/01/04	QUALITY SYMBOL ▽=0 ◻=0	GENERAL TOLERANCES (UNLESS SPECIFIED)		DIMENSION STYLE INCH		SCALE NTS	DESIGN UNITS INCH	THIRD ANGLE PROJECTION	
		4 PLACES ±--- ±--- 3 PLACES ±--- ±.005 2 PLACES ±--- ±.020 1 PLACE ±--- ±.010	mm INCH ±--- ±--- ±--- ±.005 ±--- ±.020 ±--- ±.010	DRAWN BY MC	DATE 2009/01/23	TITLE HAZARDOUS LOCATION STANCHION LIGHT			
		ANGULAR ±1/2°	DRAFT WHERE APPLICABLE MUST REMAIN WITHIN DIMENSIONS	CHECKED BY DT	DATE 2009/01/23	MOLEX INCORPORATED			
				APPROVED BY DTITUS	DATE 2009/12/04	MATERIAL NO. SEE TABLE	DOCUMENT NO. SD-130289-001	SHEET NO. 2 OF 2	
				THIS DRAWING CONTAINS INFORMATION THAT IS PROPRIETARY TO MOLEX INCORPORATED AND SHOULD NOT BE USED WITHOUT WRITTEN PERMISSION					