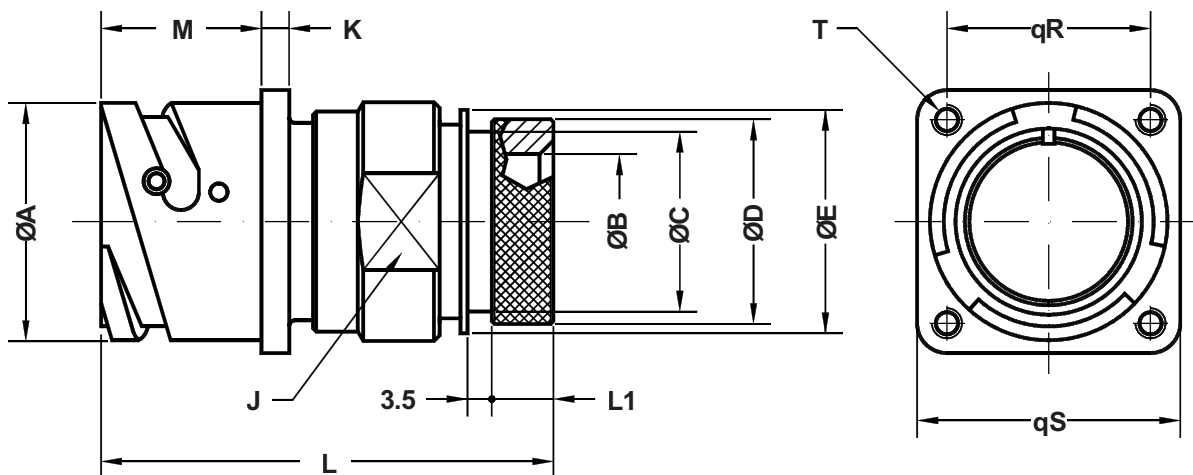




## ITS 31030 (GR) and ITS 41030 (GR) Rear Panel Mount Square Flange Receptacle Assembly with Rotating Clamp Nut for Heat-Shrink Tubing

**ITS 31 030 GR FK 20-27 P Y XXX**

- |  |   |
|--|---|
| <p>Bayonet Coupling</p> <p>Contact Type<br/>31 - Solder<br/>41 - Crimp</p> <p>030 - Rear Wall Mount</p> <p>Connector/Backshell Class<br/>GR - Environmental; Supplied with Backshell for Heat-Shrink Tubing and Rotating Clamp Nut</p> | <p>Mod Code Option (See Table II)</p> <p>Alternate Insert Rotation (W, X, Y, Z)<br/>Omit for Normal (See Intro 20-21)</p> <p>Contact Gender<br/>P - Pin<br/>S - Socket</p> <p>Shell Size and Insert Arrangement<br/>(See Intro 6-25)</p> <p>Material Option (Omit for Aluminum)<br/>FK - Stainless Steel Passivate<br/>MB - Marine Bronze</p> |
|--|---|



### Application Notes:

1. Rear panel mount square flange receptacle with backshell for heat-shrink tubing. Rotating coupling nut supplied. Threaded mounting holes.
2. Environmental class "GR" (environmental)—Wire sealing grommet supplied.
3. Standard materials configuration consists of aluminum alloy with cadmium olive drab finish.
4. Standard contact material consists of copper alloy with silver plating (Gold plating available, see mod codes).
5. A broad range of additional connector accessories are available. See our website and/or contact the factory for complete information.
6. Standard insert material is synthetic rubber. Add "FR" prefix to front of part number to specify fire resistant inserts.



**ITS 31030 (GR) and ITS 41030 (GR)**  
**Rear Panel Mount Square Flange Receptacle Assembly**  
**with Rotating Clamp Nut for Heat-Shrink Tubing**



**TABLE I: DIMENSIONS**

Shell Size	ØA +0 -0.1	ØB min.	ØC ±0.1	ØD ±0.2	ØE ±0.2	J key	K ±0.2	L Max.	L1 Max.	M +0.2 -0	R ±0.1	S +0.2	T Thread
10 SL	18.2	8.5	13.0	15.5	17.0	20	2.8	57.7	8.2	18.5	18.25	25.4	M4
14 S	24.5	12.0	16.5	19.1	20.1	23	3.3	58.4	8.2	18.5	23.00	30.4	M4
16 S	27.2	14.5	21.5	23.9	23.5	26	3.3	58.4	8.2	18.5	24.60	32.5	M4
16	27.2	14.5	21.5	23.9	23.5	26	3.3	70.8	8.0	23.2	24.60	32.5	M4
18	30.7	17.5	21.7	23.9	26.5	28	4.0	70.8	8.0	23.2	27.00	35.0	M4
20	34.0	19.5	26.0	29.6	30.5	32	4.0	71.1	8.9	23.2	29.40	38.0	M4
22	37.3	22.0	26.0	29.6	33.6	36	4.0	71.1	8.9	23.2	31.75	41.0	M4
24	40.9	25.0	34.5	37.8	36.1	39	4.0	70.7	9.2	23.2	34.90	44.5	M4
28	46.7	29.0	34.5	37.8	41.4	46	4.0	71.2	9.2	24.4	39.70	50.9	M5
32	53.4	34.0	43.6	47.8	48.6	52	4.0	78.8	11.7	24.2	44.45	57.0	M5
36	59.6	38.5	43.6	47.8	54.8	58	4.0	88.8	11.7	24.2	49.20	63.5	M5
40	65.5	48.0	52.6	57.8	60.9	65	4.0	88.8	11.7	24.4	55.55	69.9	M5

**TABLE II: MODIFICATION CODES**

CONTACT OPTIONS	
Sym	Description
B0	Connector Less Contacts
B1	Connector with Gold Plated Contacts
	Omit for Standard Version (Silver Plated)
FINISH OPTIONS	
Sym	Description
F2	Bright Nickel Plating
F6	Black Electrodeposited Paint
F7	Black Zn-Co Plating
F8	Olive Drab Zn-Co Plating
	Omit for Standard Version (Cad/Olive Drab Finish)

