



I-7017

8-channel Analog Input Module

Model:I-7017

Specifications

Analog Input

Input Channels	8 differential or 6 differential and 2 single- ended by jumper select
Input Type	+/-150mV, +/-500mV , +/-1V, +/-5V, +/-10V +/-20mA (requires optional external 125 ohm resistor)
Resolution	16-bit
Sampling Rate	10 Samples/ Second
Accuracy	+/-0.1%
BandWidth	15.7 Hz
Zero drift	+/-20uV/~XC
Span drift	+/-25ppm/~XC
Input Impedance	20M Ohms
Common Mode Rejection	86dB min
Normal Mode Rejection	100dB
Over voltage Protection	+/-35V(P-P)
Photo-Isolation	3750 Vrms
Intra-module Isolation, Field to Logic	3000 VDC

Interface

Interface	RS-485
Format	N, 8, 1
Buad Rate	1200 ~ 115200bps

LED Display

1 LED as Power/ Communication indicator

Power

Input	+10 to +30VDC
Power Consumption	1.3W

Environment

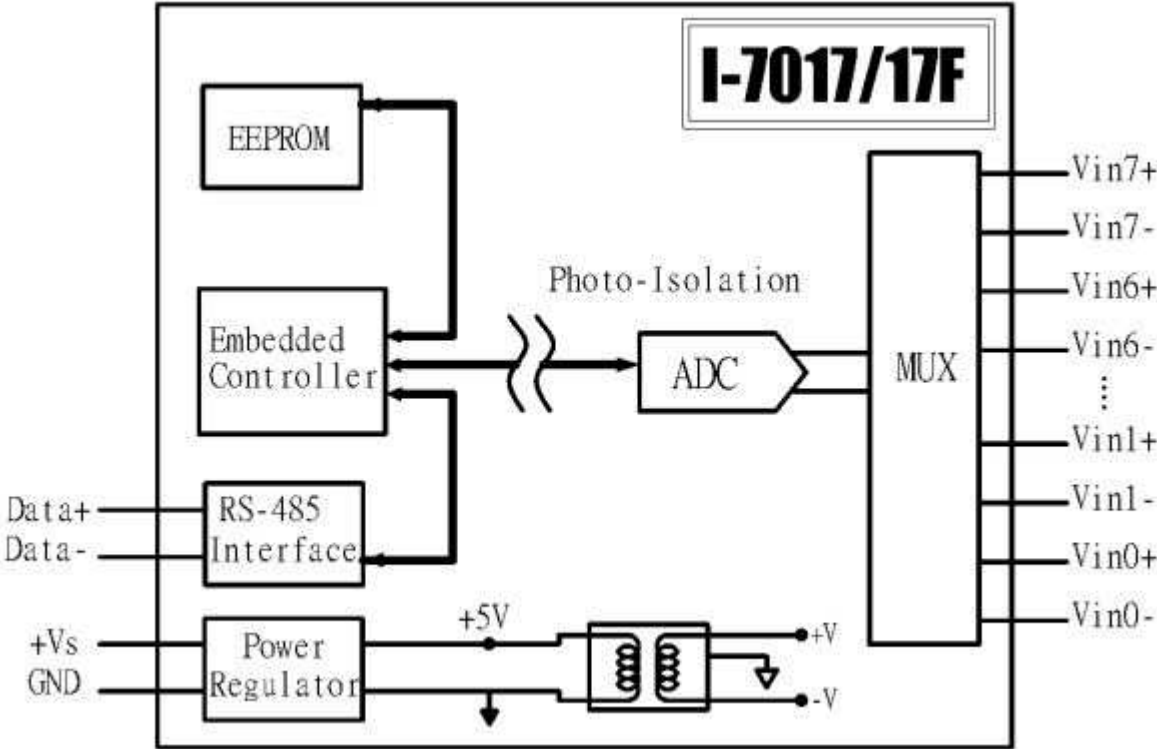
Operating temperature	-25 to 75~XC
Storage temperature	-40 to 85~XC
Humidity	5 to 95%, non-condensing

Ordering information

I-7017	8-channel Analog Input Module
I-7017 CR	8-channel Analog Input Module (RoHS)

I-7017 Hardware

Internal I/O Structure



PIN Assignment

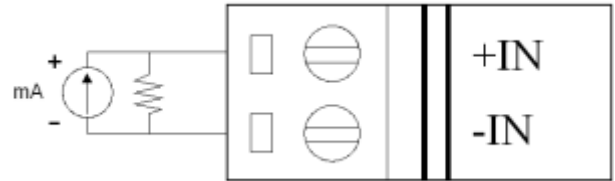
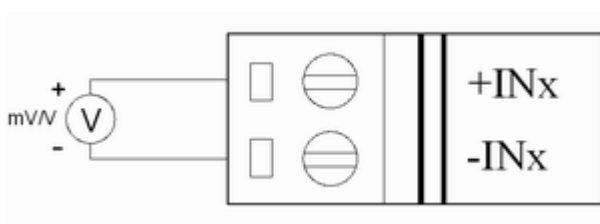


- Vin5+ 1
- Vin5-
- Vin6+
- Vin6-
- Vin7+
- INIT*/Vin7-
- (Y)DATA+
- (G)DATA-
- (R)+Vs
- (B)GND 10

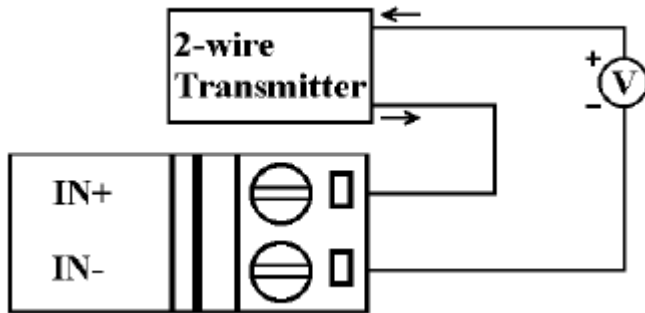
- 20 Vin4-
- Vin4+
- Vin3-
- Vin3+
- Vin2-
- Vin2+
- Vin1-
- Vin1+
- Vin0-
- 11 Vin0+

Wire Connection

Analog Input Channel 0 to 5 Wire Connection



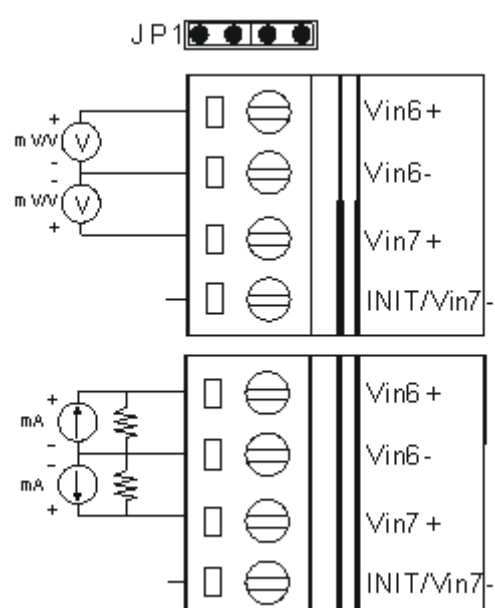
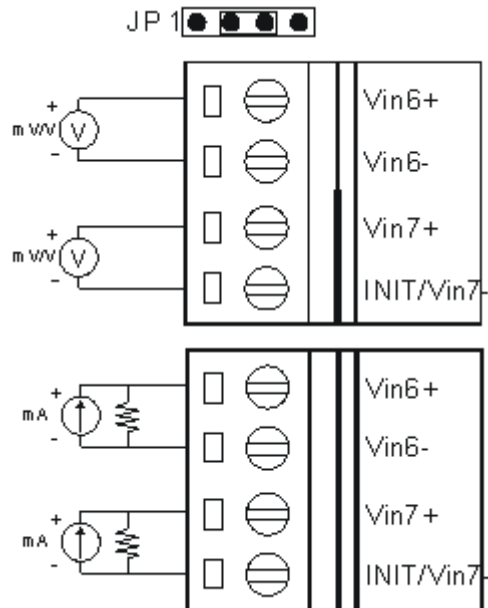
Note: When connecting to a current source, an optional external 125-Ohm resistor is required.



Analog Input Channel 6 and 7 Digital

8 different mode

INIT* mode



Note: To access the jumpers, the cover must be opened.