

### Stacked Coin Type

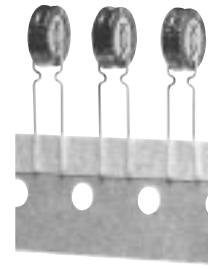
Series: **SE**

#### ■ Features

- Endurance : 70 °C 1000 h
- Automatic insertion available
- RoHS directive compliant

#### ■ Recommended Applications

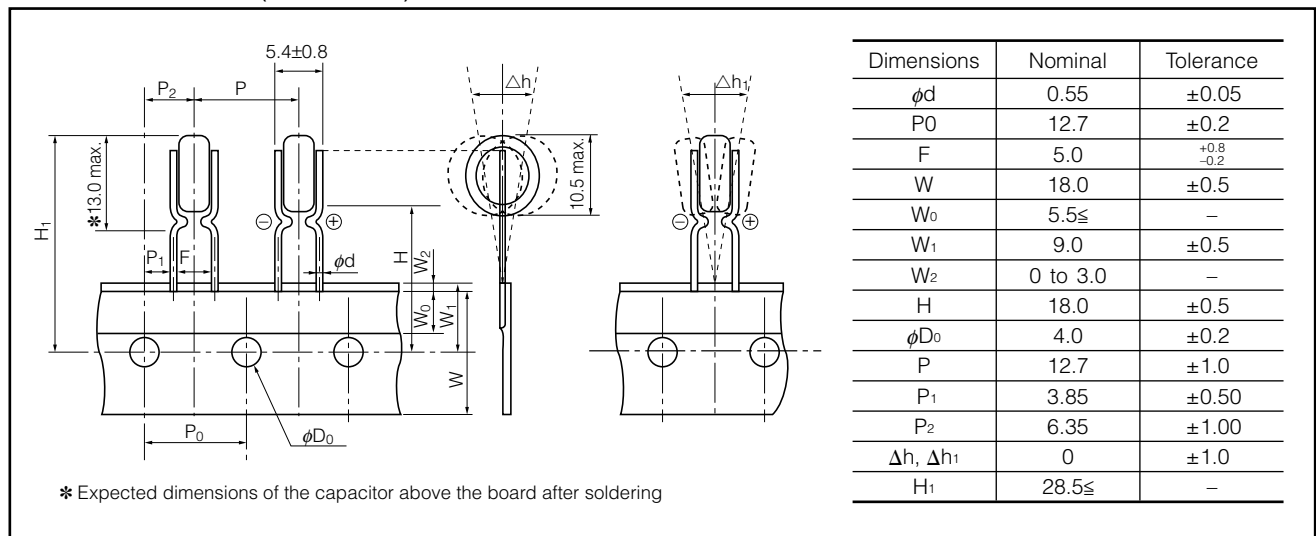
- Memory back-up for video and audio equipment, cameras, telephones, printers, data terminals, rice cookers and intelligent remote controls.



#### ■ Specifications

|                                    |  |  |
|------------------------------------|--|--|
| Category Temp. Range               | -25 °C to +70 °C   |  |
| Maximum Operating Voltage          | 5.5 V.DC   |  |
| Nominal Cap.Range                  | 0.022 F to 0.22 F  |  |
| Characteristics at Low Temperature | Capacitance change   | ±30 % of initial measured value at +20 °C (-25 °C to +70 °C) |
|                                    | Internal resistance  | ≤5 times of initial measured value at +20 °C (at -25 °C)     |
| Endurance                          | After 1000 hours application of 5.5 V. DC at +70 °C, the capacitor shall meet the following limits.          |  |
|                                    | Capacitance change   | ±30 % of initial measured value                              |
|                                    | Internal resistance  | ≤4 times of initial specified value                          |
| Shelf Life                         | After 1000 hours storage at +70°C without load, the capacitor shall meet the specified limits for Endurance. |  |

#### ■ Dimensions in mm(not to scale)



#### ■ Standard Products

| Maximum Operating Voltage (V.DC) | Capacitance (F) | Capacitance range (F) | Internal resistance (Ω) at 1kHz | Part number | Min. Packaging Q'ty (pcs) |
|----------------------------------|-----------------|-----------------------|---------------------------------|-------------|---------------------------|
| 5.5                              | 0.022           | 0.0176 to 0.0396      | ≤ 150                           | EECSE0H223  | 1000                      |
|                                  | 0.047           | 0.0376 to 0.0846      | ≤ 120                           | EECSE0H473  | 1000                      |
|                                  | 0.10            | 0.080 to 0.180        | ≤ 75                            | EECSE0H104  | 1000                      |
|                                  | 0.22            | 0.176 to 0.396        | ≤ 75                            | EECSE0H224  | 1000                      |

- Note: 1. When ordering please observe the minimum packaging quantity.  
 2. When the surface mount component goes through UV or a heat oven to affix the adhesive glue, the capacitor's surface temperature should not exceed 100 °C for more than 60 seconds (maximum temperature should not exceed 105 °C)  
 3. Do not use reflow soldering. (IR, Atmosphere heating methods, etc.)  
 Please refer to P197 "Mounting Specifications".