

HOW TO ORDER:

EXAMPLE: 947 - 128 NF B I S *

PRODUCT SERIES ——— 947 - 128

BASIC NO ——— NF

FINISH SYM ——— B

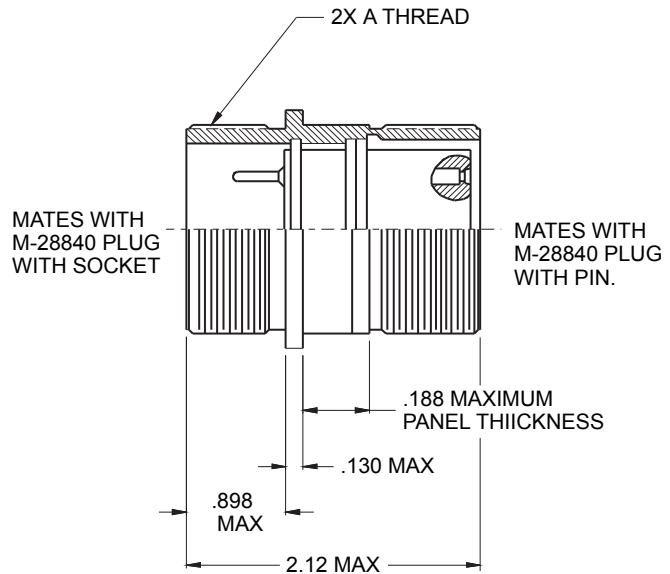
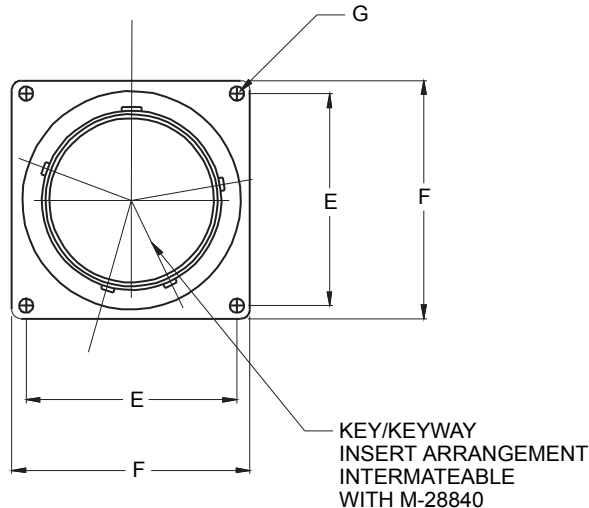
SHELL SIZE CODE ——— I

INSERT ARRANGEMENT ——— S

P = PIN ON THRU-PANEL SIDE
SOCKET ON OPPOSITE SIDE

S = SOCKET ON THRU-PANEL SIDE
PIN ON OPPOSITE SIDE

ALTERNATE POSITION
PER MIL-C-28840



NOTES:

- ASSEMBLY IDENTIFIED WITH MANUFACTURER'S NAME AND P/N, SPACE PERMITTING.
- MATERIAL/FINISH:
BARREL/SHELL, AL ALLOY CONTACTS, COPPER ALLOY/GOLD PLATE
INSULATORS - HIGH GRADE RIGID DIELECTRIC/N.A.
SEALS-SILICONE/NA
NF. 500-HOUR CORROSION RESISTANT CADMIUM OLIVE DRAB

TABLE I:CONNECTOR DIMENSIONS

M-28840 FEED-THRU RECEPTACLE

SHELL SIZE CODE	SHELL SIZE	INSERT ARRANGEMENT DASH NO	A THREAD CLASS 2A	E MAX	F MAX	G DIA MAX
A	11	A-1	.750-.1P-.2L-DS	.760 (19.3)	1.039 (26.4)	.130 (3.3)
B	13	B-1	.850-.1P-.2L-DS	.853 (21.7)	1.154 (29.3)	.130 (3.3)
C	15	C-1	1.062-.1P-.2L-DS	.978 (24.8)	1.274 (32.4)	.130 (3.3)
D	17	D-1	1.125-.1P-.2L-DS	1.025 (26.0)	1.399 (35.5)	.130 (3.3)
E	19	E-1	1.312-.1P-.2L-DS	1.150 (29.2)	1.524 (38.7)	.130 (3.3)
F	23	F-1	1.500-.1P-.2L-DS	1.291 (32.8)	1.734 (44.0)	.130 (3.3)
G	25	G-1	1.625-.1P-.2L-DS	1.402 (35.6)	1.834 (46.6)	.157 (4.0)
H	29	H-1	1.812-.1P-.2L-DS	1.578 (40.1)	2.154 (54.7)	.157 (4.0)
J	33	J-1	2.000-.1P-.2L-DS	1.744 (44.3)	2.344 (59.5)	.183 (4.6)

947-128
 Connector Sav-Con® Feed-Thru
 Bulkhead Receptacle
 MIL-C-28840



MIL-C-28840

TABLE II:
 KEYWAY ARRANGEMENT

POS.	A°	B°	C°	D°
1	80	142	196	293
2	135	170	200	310
3	49	169	200	244
4	66	140	200	257
5	62	145	180	280
6	79	153	197	272

TABLE III:
 KEYWAY ARRANGEMENT

POS.	A°	B°	C°	D°
1	80	142	196	293
2	135	170	200	310
3	49	169	200	244
4	66	140	200	257
5	62	145	180	280
6	79	153	197	272

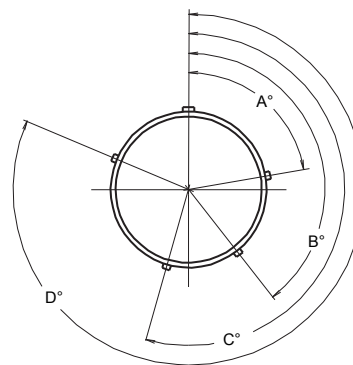
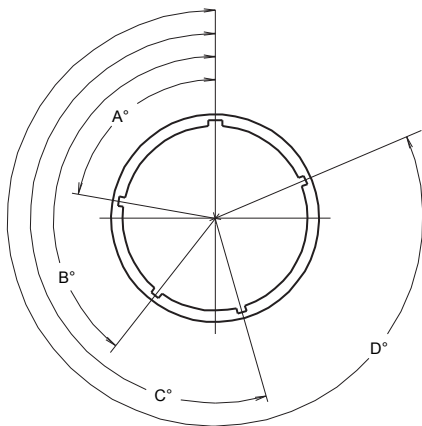


TABLE IV: MATERIALS
 AND FINISH

SYM	FINISH DESCRIPTION
B	CADMIUM PLATE/OLIVE DRAB
J	GOLD IRIDITE OVER CADMIUM PLATE OVER NICKEL
M	ELECTROLESS NICKEL
N	CADMIUM PLATE/OLIVE DRAB OVER NICKEL
NF	CAD/O. D. OVER ELECTROLESS NICKEL (500 HOUR SALT SPRAY)
T	CADMIUM PLATE/BRIGHT DIP OVER NICKEL