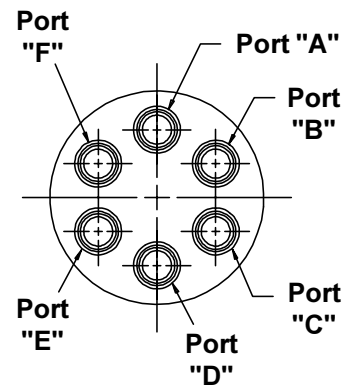
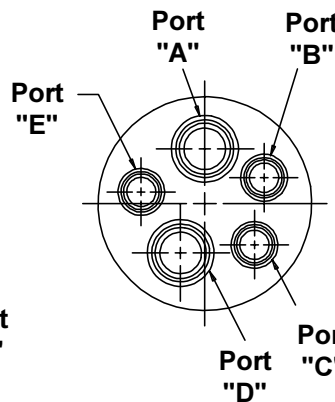
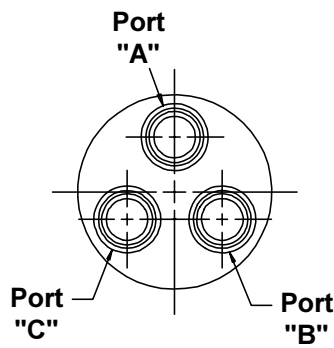
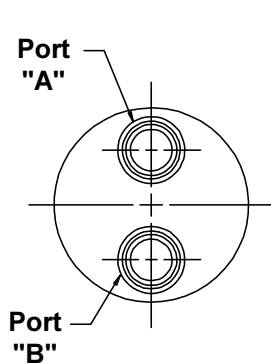
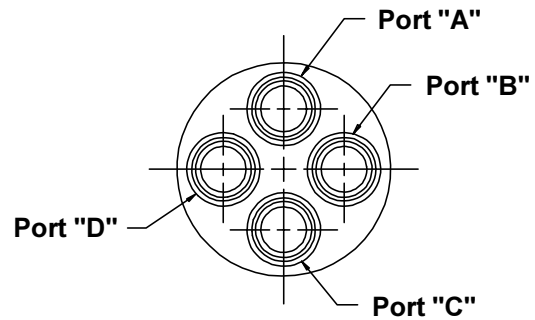
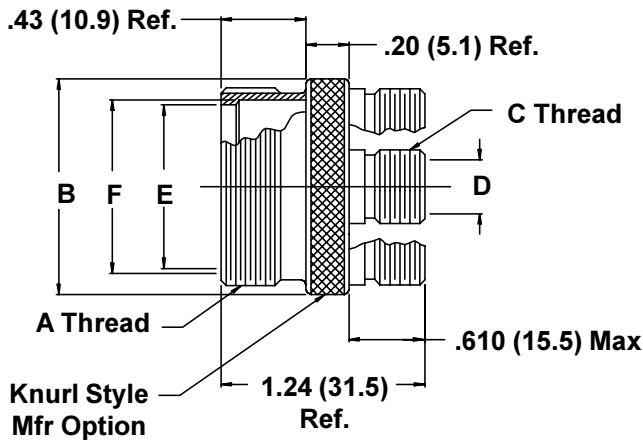
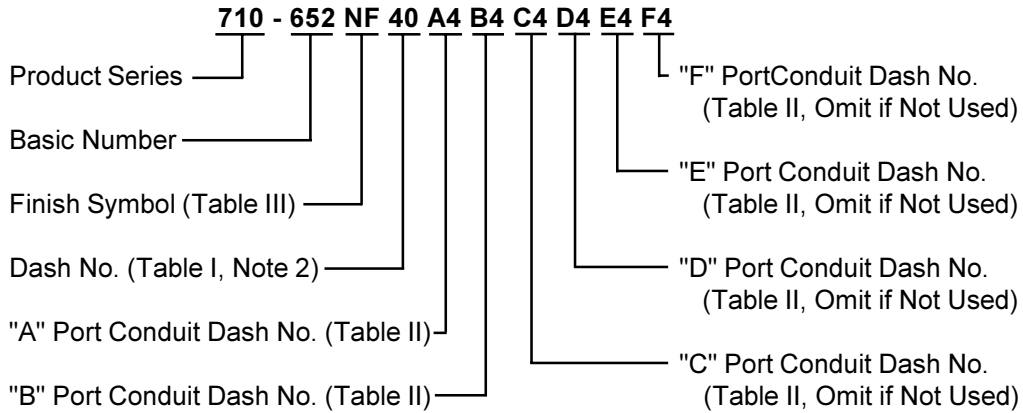




## Series 72, 74, & 75 Multi-Port, Special Purpose Transitions



# Series 72, 74, & 75 Multi-Port, Special Purpose Transitions



**TABLE I**

Dash No.	A Thread Class 2A	B Max	E		F	
			±.005	(.1)	±.005	(.1)
20	1 1/4 - 18 UNEF	1.41 (35.8)	.980	(24.9)	1.095	(27.8)
21	1 5/16 - 18 UNEF	1.47 (37.3)	1.040	(26.4)	1.157	(29.4)
22	1 3/8 - 18 UNEF	1.53 (38.9)	1.100	(27.9)	1.220	(31.0)
23	1 7/16 - 18 UNEF	1.59 (40.4)	1.160	(29.5)	1.280	(32.5)
24	1 1/2 - 18 UNEF	1.66 (42.2)	1.220	(31.0)	1.345	(34.2)
26	1 5/8 - 18 UNEF	1.78 (45.2)	1.350	(34.3)	1.470	(37.3)
28	1 3/4 - 18 UNS	1.91 (48.5)	1.480	(37.6)	1.595	(40.5)
30	1 7/8 - 18 UNS	2.03 (51.6)	1.590	(40.4)	1.720	(43.7)
31	1 15/16 - 16 UN	2.09 (53.1)	1.660	(42.2)	1.770	(45.0)
32	2 - 18 UN	2.16 (54.9)	1.730	(43.9)	1.845	(46.9)
33	2 1/16 - 16 UNS	2.22 (56.4)	1.780	(45.2)	1.900	(48.3)
34	2 1/8 - 16 UN	2.28 (57.9)	1.840	(46.7)	1.960	(49.8)
35	2 3/16 - 16 UNS	2.34 (59.4)	1.900	(48.3)	2.020	(51.3)
36	2 1/4 - 16 UN	2.41 (61.2)	1.970	(50.0)	2.085	(53.0)
37	2 5/16 - 16 UNS	2.47 (62.7)	2.030	(51.6)	2.145	(54.5)
38	2 3/8 - 16 UN	2.53 (64.3)	2.090	(53.1)	2.210	(56.1)
40	2 1/2 - 16 UN	2.66 (67.6)	2.220	(56.4)	2.335	(59.3)
42	2 5/8 - 16 UN	2.78 (70.6)	2.340	(59.4)	2.460	(62.5)
60	3 3/4 - 16 UN	2.91 (73.9)	2.468	(62.7)	3.590	(91.2)

**TABLE II**

Port Conduit Dash No.	Conduit Code Ref.	A Thread Class 2A	D	
			±.005	(.1)
1	06	7/16 - 28 UNEF	.187	(4.7)
2	08	1/2 - 20 UNEF	.250	(6.4)
3	09	9/16 - 24 UNEF	.281	(7.1)
4	10	9/16 - 24 UNEF	.312	(7.9)
5	12	5/8 - 24 UNEF	.375	(9.5)
6	14	11/16 - 24 UNEF	.437	(11.1)
7	16	3/4 - 20 UNEF	.500	(12.7)
8	20	7/8 - 20 UNEF	.625	(15.9)
9	24	1 - 20 UNEF	.750	(19.1)
10	28	1 3/16 - 18 UNEF	.875	(22.2)
11	32	1 5/16 - 18 UNEF	1.000	(25.4)

**TABLE III**

SYMBOL	FINISH
B	Olive Drab over Cadmium Plate
J	Gold Iridite over Cadmium Plate over Nickel
M	Electroless Nickel
N	Olive Drab over Cadmium Plate over Nickel
NC	Zinc-Cobalt, Olive Drab
NF	Olive Drab over Cadmium Plate over Electroless Nickel (500 Hour Salt Spray)
T	Bright Dip Cadmium Plate over Nickel
Z1	Passivate

**Notes:**

1. Metric dimensions (mm) are in parentheses.
2. Plate diameter "B" is based on outlet combinations, consult factory for appropriate size.